

COMMUNICATIONS LTD.
TELECOM DIVISION (DG)

P/N : 65-4694-AA-DS
TITLE : B/S MAIN BD

VT1411

4694ADS.SCH

DATE:10 AUG 00

CHK: APPR: DATE:

DATE: SHEET 1 OF 3

1
2
3
4
5
6

REV	DESCRIPTION
0	RELEASE FOR DESIGN

6

5

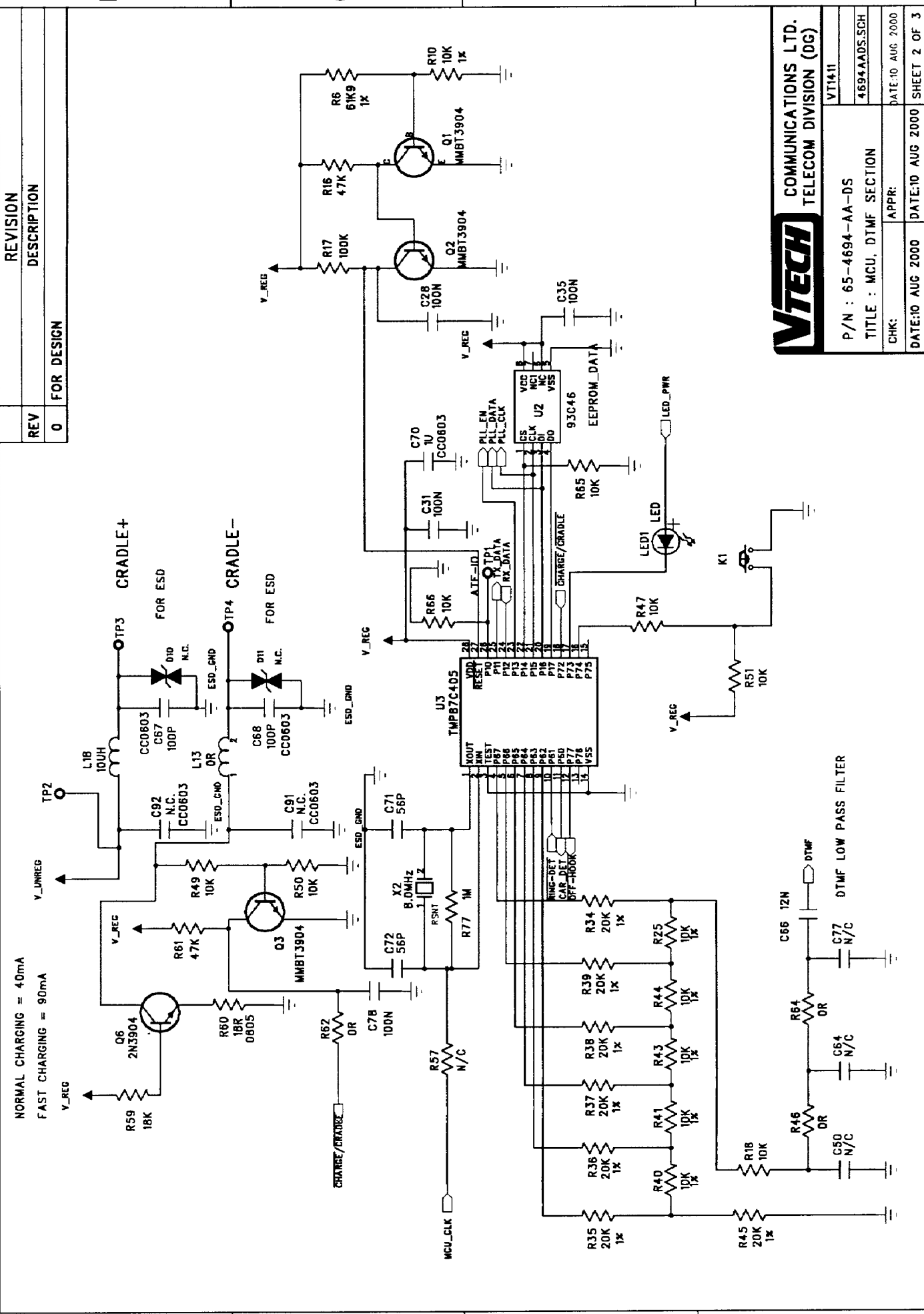
4

3

2

1

NORMAL CHARGING = 40mA
 FAST CHARGING = 90mA



REV	DESCRIPTION
0	FOR DESIGN

REVISION	DESCRIPTION
2	



COMMUNICATIONS LTD.
 TELECOM DIVISION (DG)

P/N : 65-4694-AA-DS	VT1411
TITLE : MCU, DTMF SECTION	4694AADS.SCH
CHK:	DATE:10 AUG 2000
APPR:	DATE:10 AUG 2000
DATE:10 AUG 2000	SHEET 2 OF 3

6

5

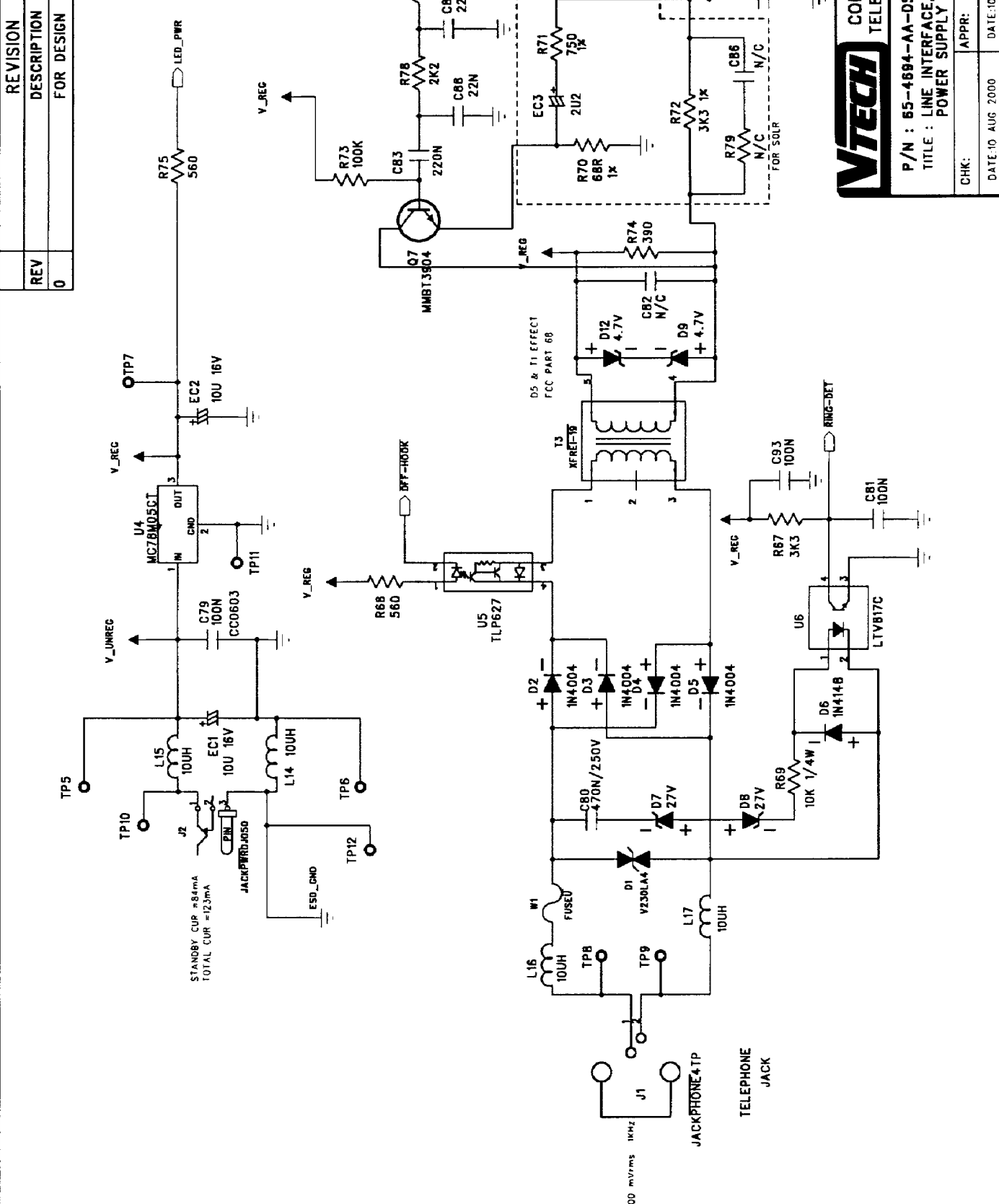
4

3

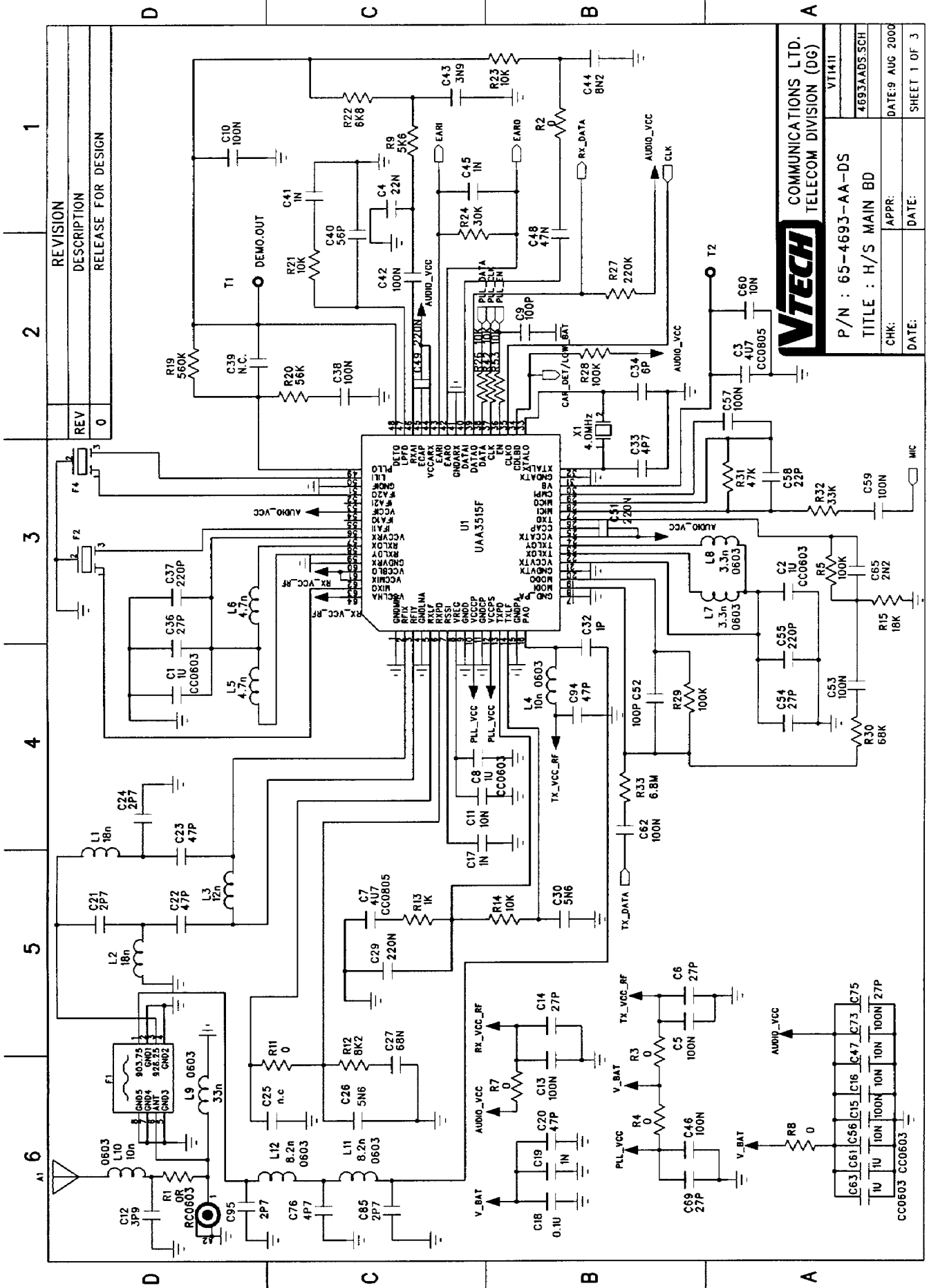
2

1

REV	DESCRIPTION
0	FOR DESIGN

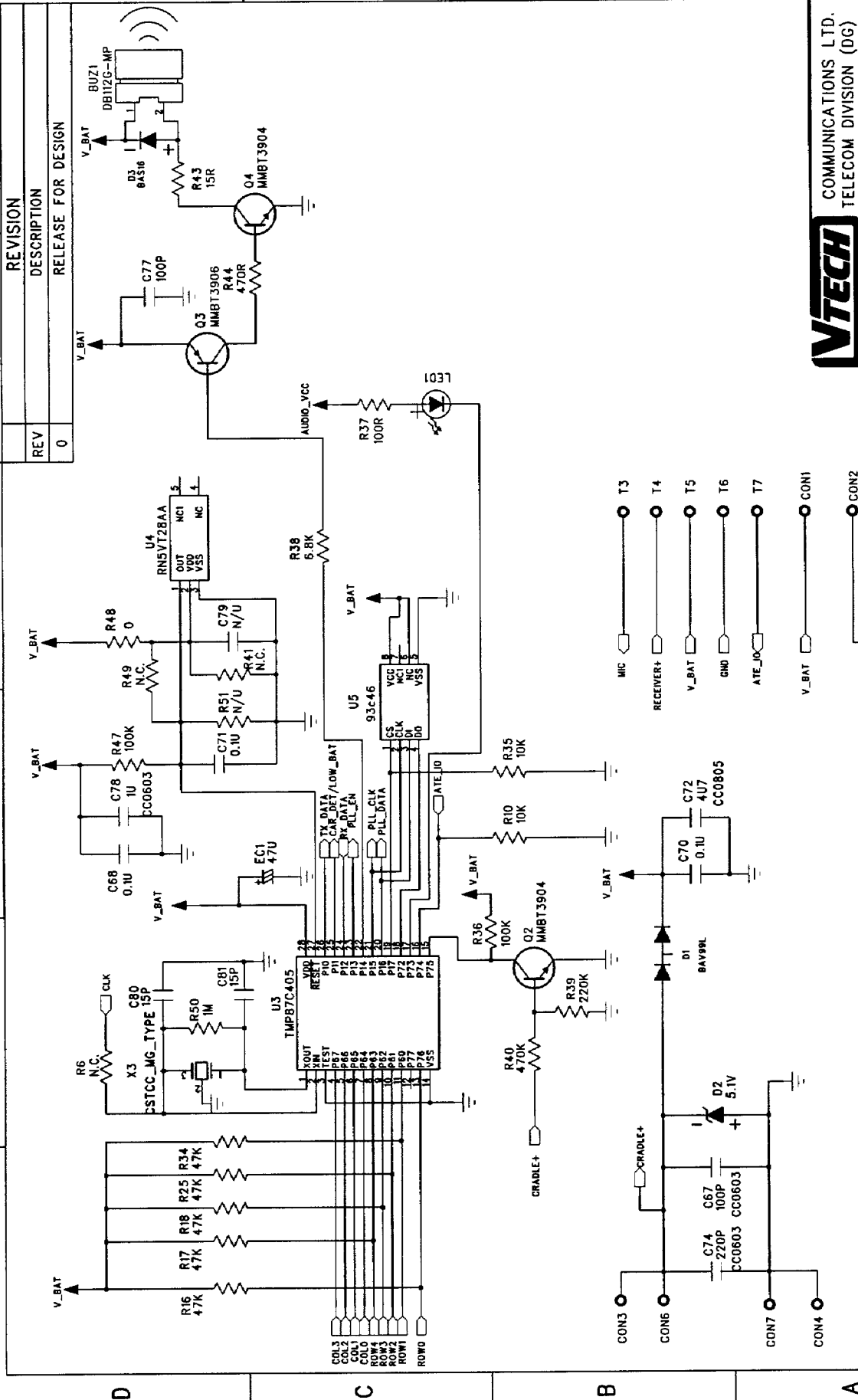


COMMUNICATIONS LTD. TELECOM DIVISION (DG)	
P/N : 65-4694-AA-DS	VT1411
TITLE : LINE INTERFACE. POWER SUPPLY.	4694ADS.SCH
CHK:	APPR:
DATE:10 AUG 2000	DATE:10 AUG 2000
SHEET 3 OF 3	



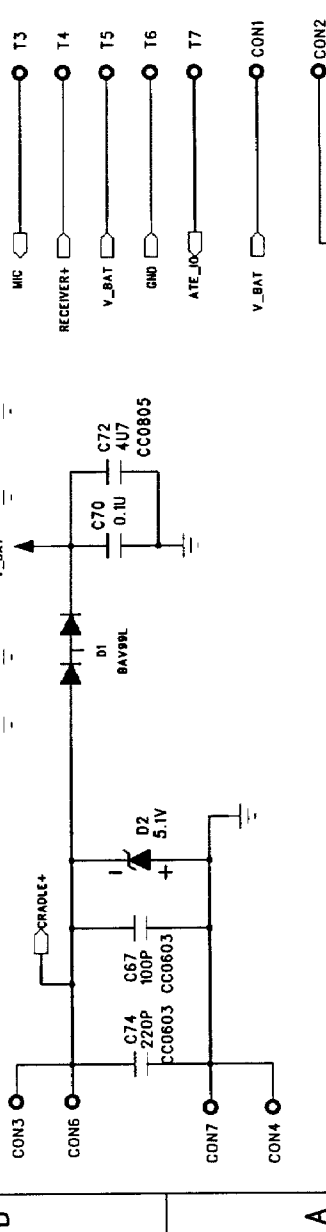
COMMUNICATIONS LTD.
TELECOM DIVISION (DG)
VT11411
P/N : 65-4693-AA-DS
TITLE : H/S MAIN BD
CHK: APPR: DATE: 9 AUG 2000
SHEET 1 OF 3

6 5 4 3 2 1



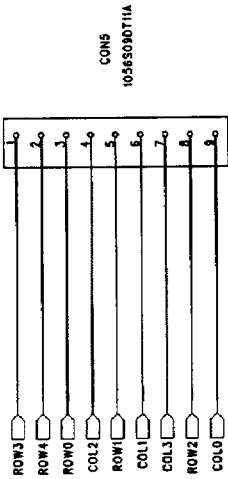
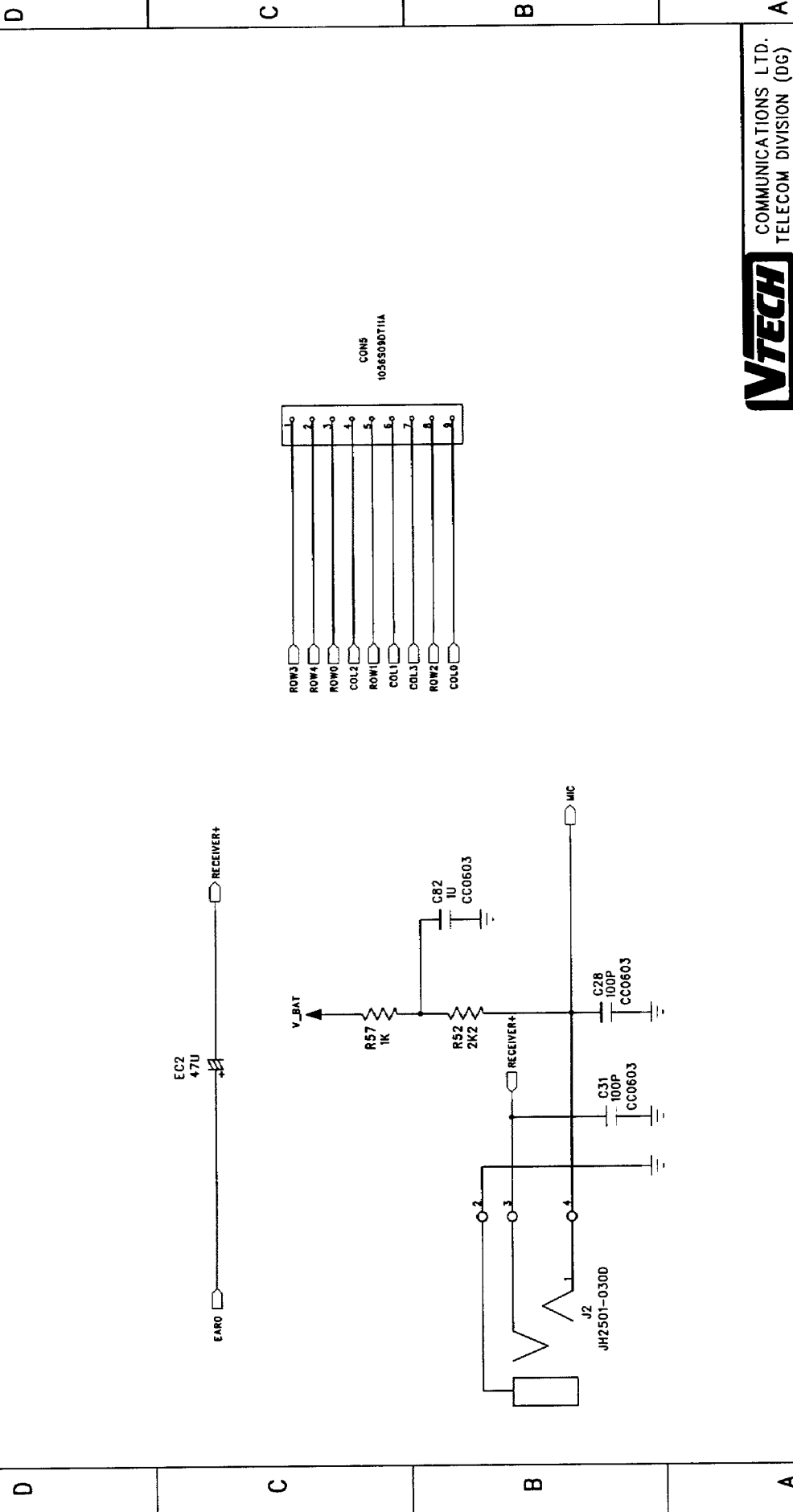
REVISION	
REV	0
DESCRIPTION	
RELEASE FOR DESIGN	

COMMUNICATIONS LTD.	
TELECOM DIVISION (DG)	
P/N :	65-4693-AA-DS
TITLE :	H/S MAIN BD
CHK :	APPR :
DATE :	DATE :
VT1411	
4693AADS.SCH	
DATE: 9 AUG 2000	
SHEET 2 OF 3	



6 | 5 | 4 | 3 | 2 | 1

REV	0	REVISION
		DESCRIPTION
		RELEASE FOR DESIGN

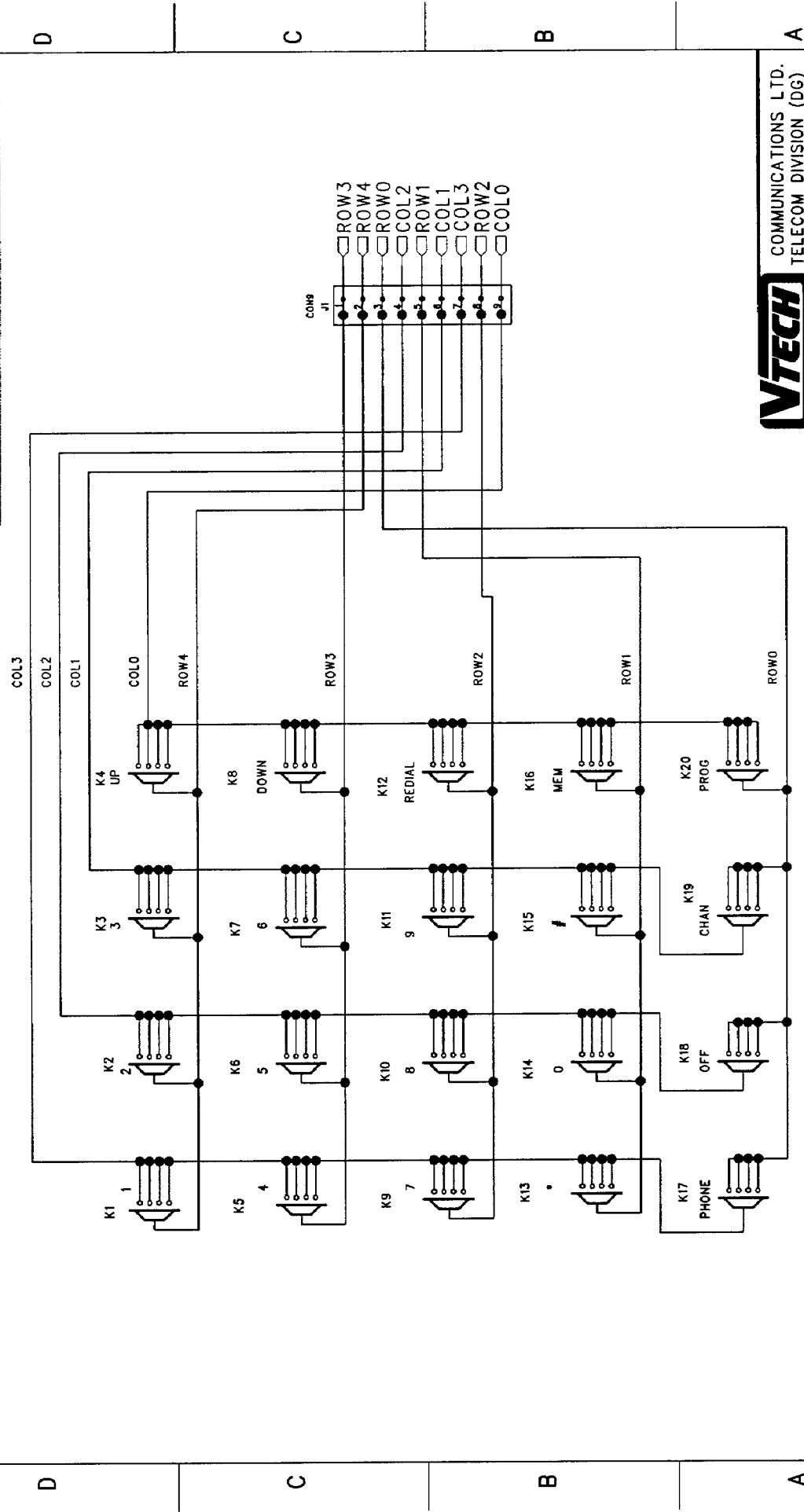


COMMUNICATIONS LTD.
TELECOM DIVISION (DG)

P/N : 65-4693-AA-DS	VT1411
TITLE : H/S MAIN BD	4693AADS.SCH
CHK:	DATE: 9 AUG 2000
APPR:	DATE:
	SHEET 3 OF 3

1 2 3 4 5 6

REV	0
DESCRIPTION	RELEASE FOR DESIGN



COMMUNICATIONS LTD.
TELECOM DIVISION (DG)

VT 1411
REV : R:0.0
4699AAMM.SCH
4699AAMM.PCB

P/N : 65-4699-AA-MM
TITLE : H/S MEMBRANE

CHK: _____ APPR: _____
DATE: _____ DATE: _____

SHEET 1 OF 1