

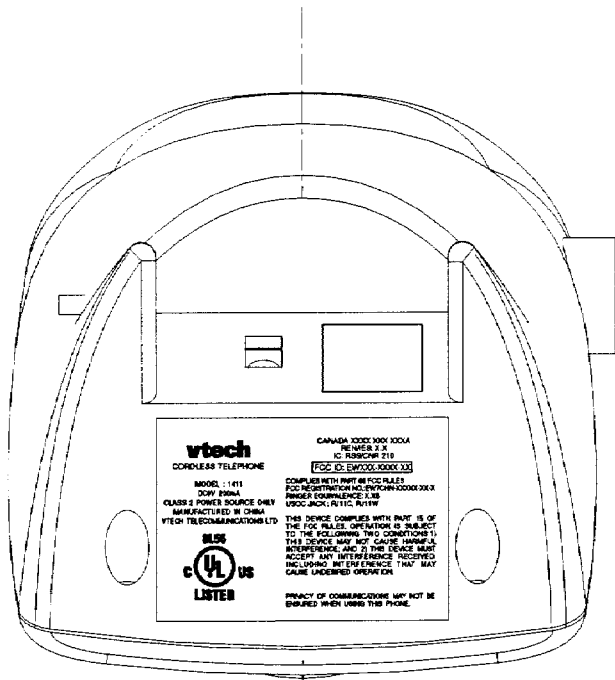
---

VTEC Telecommunications, Model 1411

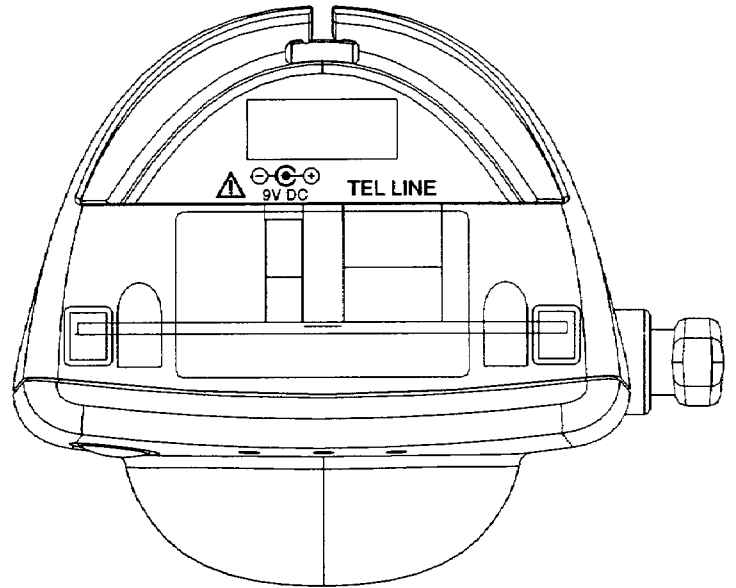
Date of Test: September 23-28, 2000

*Exhibit 7* ID Label Format

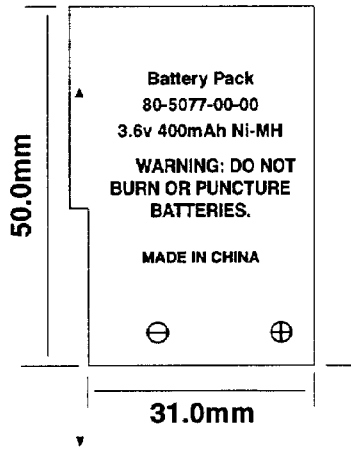
1411 BASE BOTTOM FCC/UL ENGRAVING



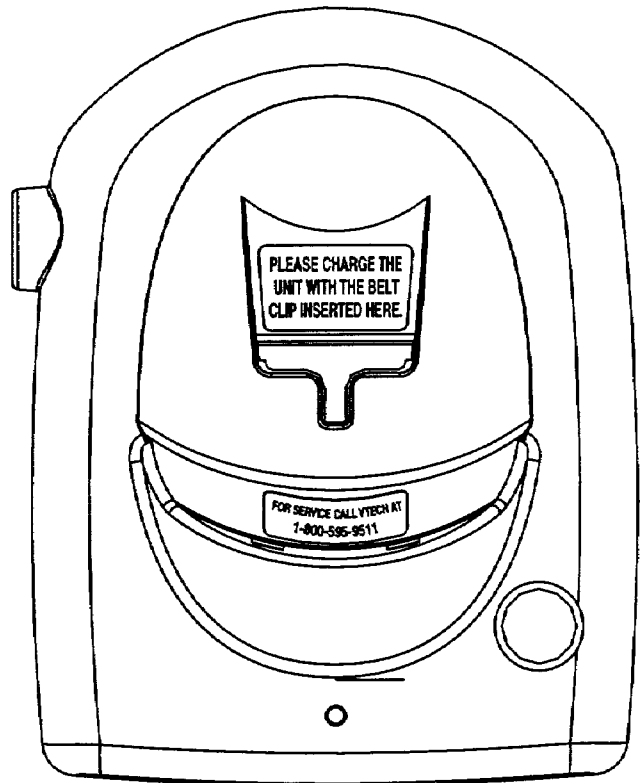
1411 BASE BTM PLUG ENGRAVING



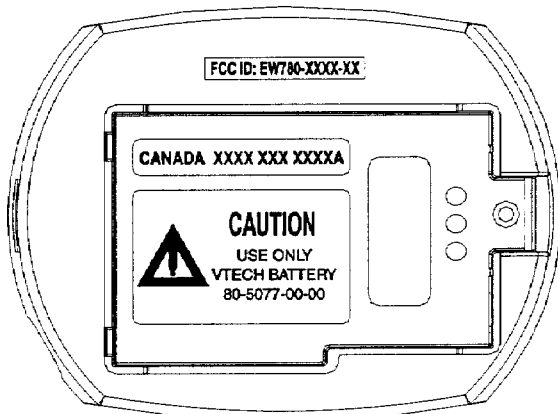
1411 battery silkscreen



BS TOP ENGRAVING & LABEL



1411 HS REAR ENGRAVING



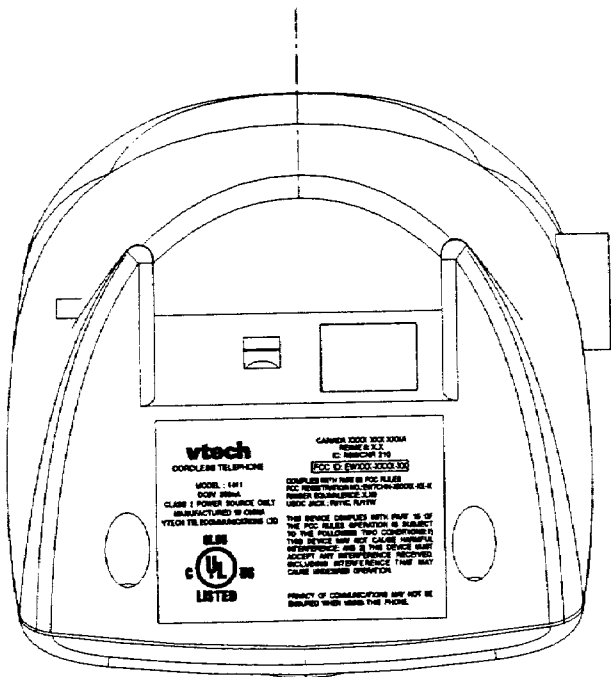
---

VTEC Telecommunications, Model 1411

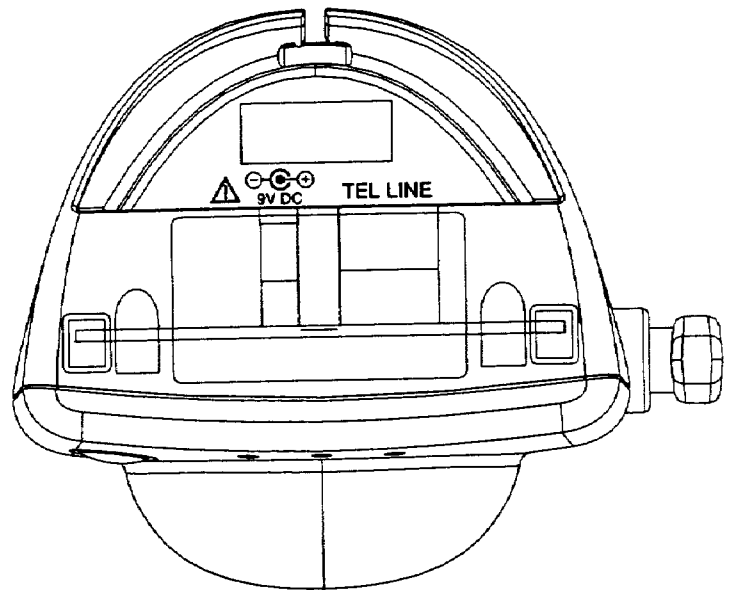
Date of Test: September 23-28, 2000

*Exhibit 8* ID Label Location

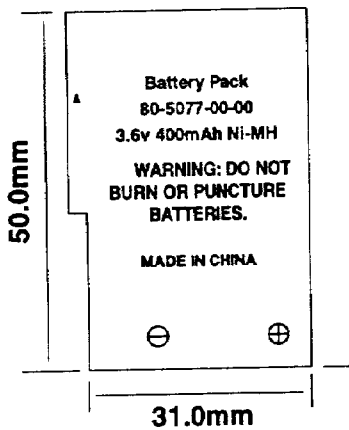
# 1411 BASE BOTTOM FCC/UL ENGRAVING



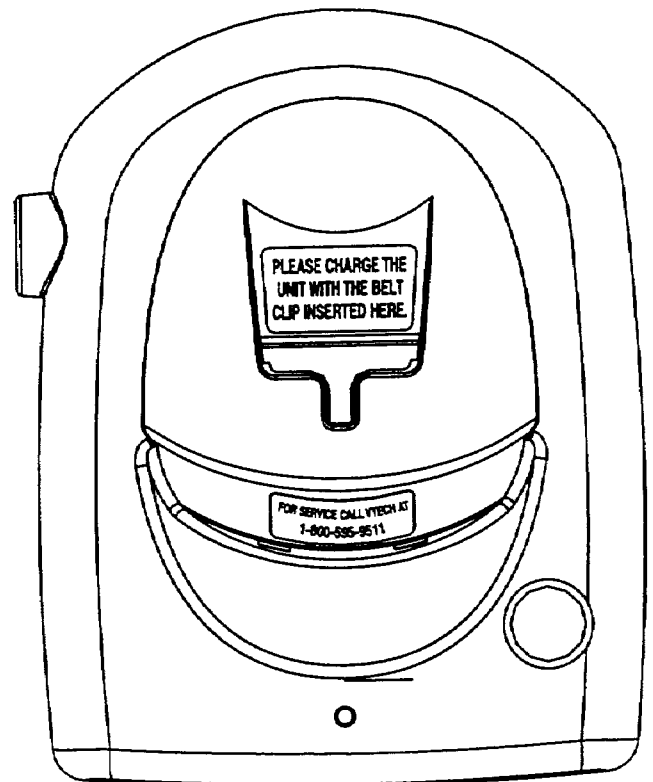
# 1411 BASE BTM PLUG ENGRAVING



# 1411 battery silkscreen



# BS TOP ENGRAVING & LABEL



# 1411 HS REAR ENGRAVING

