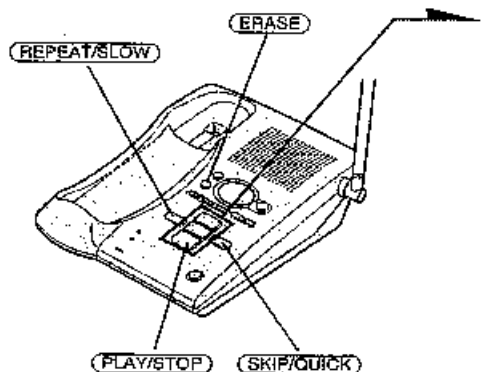


Playing back messages

If there are new messages, the display flashes the number of new messages.

You will hear beeps if the audible message alert setting is on (see page 28).



Press a mailbox button (**MAILBOX 1**, **MAILBOX 2** or **MAILBOX 3**) to play back new messages in the selected mailbox.

Additional tasks when playing back messages

To	Do this
Stop playback	Press a mailbox button (MAILBOX 1 , MAILBOX 2 or MAILBOX 3).
Repeat the current message	Press REPEAT/SLOW during play back.
Skip the current message	Press SKIP/QUICK .
Go back to the previous message	Press REPEAT/SLOW within the first two seconds of the current message playback.
Play back slowly	Press and hold REPEAT/SLOW during play back. Release REPEAT/SLOW to return to normal.
Play back quickly	Press and hold SKIP/QUICK during play back. Release SKIP/QUICK to return to normal.

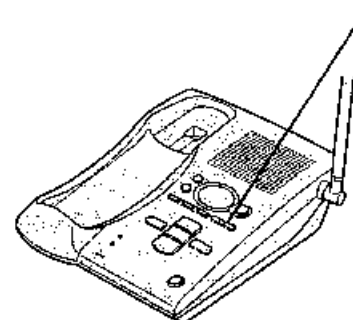
Notes

- If a call comes in, the play back will stop.
- A time and day stamp is announced after each message.

Tips

- If there are no new messages, all the previously reviewed messages are played back.
- The messages are saved even after a power failure.

Adjusting the speaker volume



To adjust the speaker volume, press **VOLUME +** or **VOLUME -**.

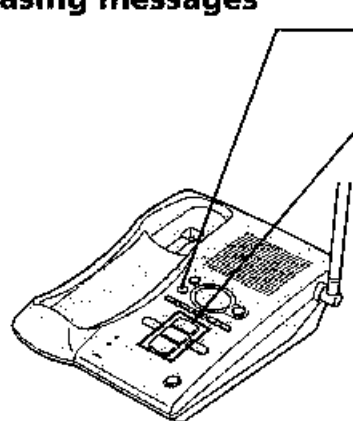
Notes

- When you have reached the minimum or maximum volume level, you will hear three short beeps.
- You cannot adjust the speaker volume while the phone is ringing.

Tip

There are 8 steps for the volume level (1 to 8). The volume level is preset to 5.

Erasing messages



- 1 Press and hold **ERASE** for more than two seconds.
- 2 Press a button for the mailbox you want to erase (**MAILBOX 1**, **MAILBOX 2** or **MAILBOX 3**). You will hear a long confirmation beep and all "old" messages in the selected mailbox are erased.

To erase individual messages

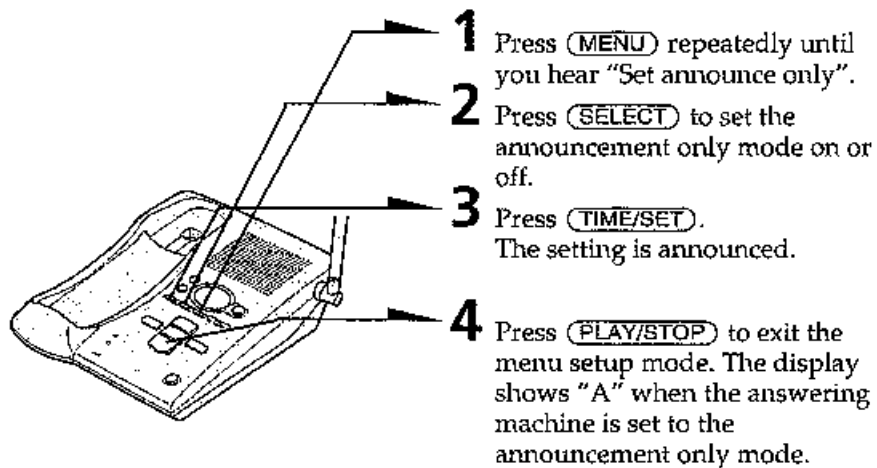
Press **ERASE** while playing back the message that you want to erase.

Note

The display shows the total number of "new" (i.e. unreviewed) messages. Therefore, the display is reset to "0" when you have played back all new messages, whether they have been erased or not. Be sure to erase unnecessary messages before the memory becomes full.

Selecting the Announcement Only Mode

You can set the answering machine to play the greeting without recording incoming messages (announcement only mode). You might want to select this mode when, for example, you expect to be away for a while and you cannot pick up messages.



Notes

- To activate announcement only mode, you have to turn on the answering machine.
- The announcement only mode is preset to off.

Screening calls

You can screen calls by leaving the answering machine on while you are at home. When a call is answered, you can hear the message being recorded through the base unit. You can decide either to continue recording or to answer the call.

The message will be recorded, but to hear it you will need to play back the message (see page 30).

To answer the call

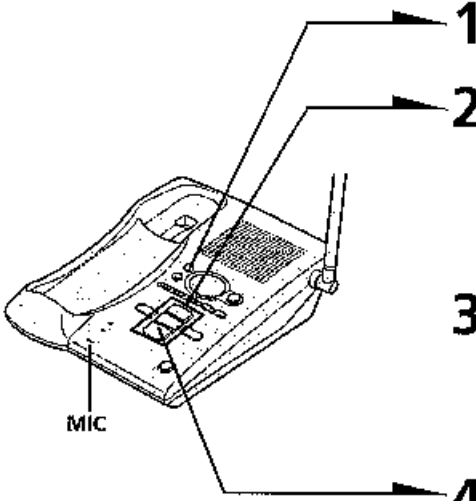
Press **(TALK)** on the handset.

Notes

- Press **(VOLUME +)** or **(-)** to adjust the speaker volume. If the speaker volume is set at its minimum level, you will not be able to hear incoming calls.
- The answering machine will stop automatically when the handset or a parallel phone is picked up. If the answering machine does not stop, press either **(PLAY/STOP)** on the base unit, or **(*) (1)** on the handset or parallel phone. The recording will remain as a new message.

Recording a memo message

You can leave messages for other users of the unit.

- 
- 1 Press **REC/MEMO**.
 - 2 Press a mailbox button (**MAILBOX 1**, **MAILBOX 2** or **MAILBOX 3**) to which you want to leave the message. "Now recording" is announced and counting starts.
 - 3 Speak into the base unit microphone (MIC) to record your message.
A memo can be up to four minutes in length.
 - 4 Press **PLAY/STOP** to stop recording.
The message number on the display increases by one.

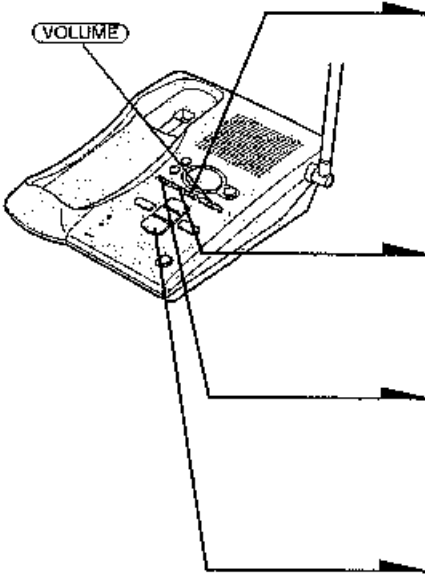
Notes

- If the memory becomes full, the answering machine will stop recording.
- "Memory full" is announced if no recording space is available when you press **REC/MEMO**.
- If your message is shorter than two seconds, the recording will be canceled.
- The display flashes "99" if you record a memo for more than 99 seconds.
- If a call comes in during recording, the recording will be stopped.

Operating from an outside phone

Setting the remote ID code (security code)

To operate the answering machine from a touch-tone phone while you are away from home, you need to set the remote ID code (security code).

- 
- 1 Press **MENU** repeatedly until you hear "Set security code".
 - 2 Press **SELECT** to change the remote ID code (security code) setting.
 - 3 Press **TIME/SET** to confirm your choice.
The new remote ID code (security code) is announced.
 - 4 Press **PLAY/STOP** to exit the menu setup mode.

Note

Press and hold **SELECT** to increase the remote ID code (security code) by 10.

continued

Operating from an outside phone (continued)

Picking up new messages

- 1 Call your telephone number from a touch-tone phone.
- 2 When you hear the greeting, press **(#)** and enter your remote ID code (security code).
You will hear a confirmation beep.
The number of new messages will be announced.
- 3 Press the keys in the "Table of control codes" below for the desired operation command.
- 4 When you are finished, disconnect the line.

Notes

- Do not let two seconds elapse between each digit of the remote ID code (security code) and the control code.
- If you did not turn on the answering machine, your phone answers automatically after 10 rings.
- If the message recording memory runs out, the answering machine turns off automatically. "Memory full. Please enter your security code" is announced.
- If you enter wrong remote ID code (security code) three times, the line will disconnect.
- If no keys are pressed within 20 seconds, the line will disconnect.


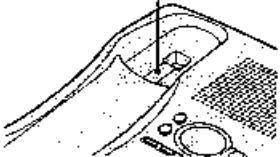
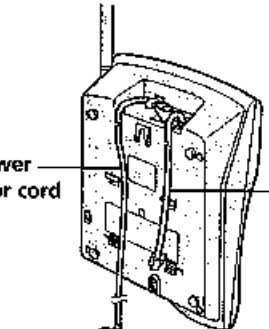
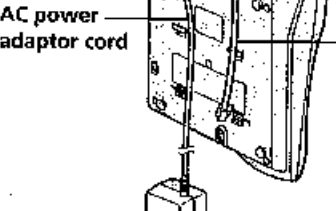
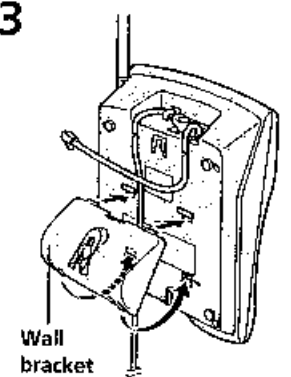
Tips

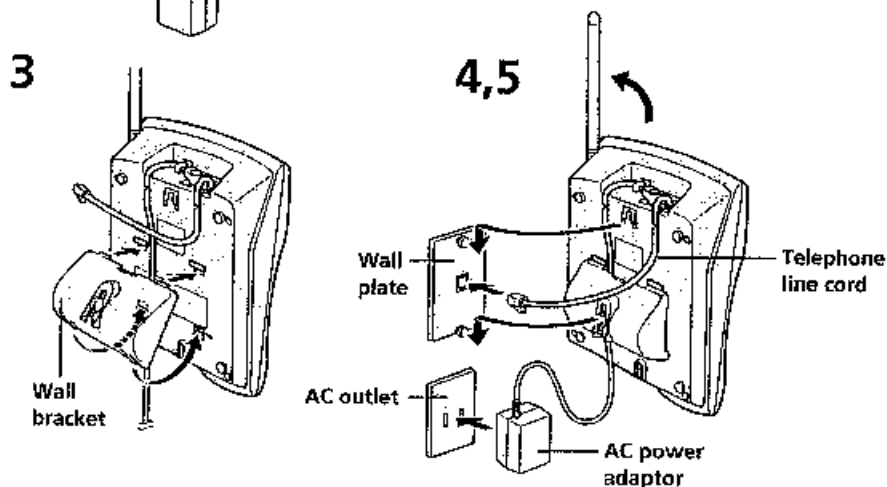
- Press **(*) (0)** on the touch-tone keypad or **(PLAY/STOP)** on the base unit to disconnect the line.
- Cut off the Remote Control Card and carry it with you to see how to operate from an outside phone.

Table of control codes

To	Key	Notes
Play back messages in MAILBOX 1	(#) (1)	Plays back from the first new message.
Play back messages in MAILBOX 2	(#) (2)	Plays back from the first new message.
Play back messages in MAILBOX 3	(#) (3)	Plays back from the first new message.
Repeat/skip backward	(#) (4)	Press during play back to repeat a message. To skip backward, press within two seconds after the current message starts.
Get help	(*) (5)	Press to access simple voice menu. Press again to access advanced voice menu.
Stop operation	(#) (5)	Stops every function
Skip forward	(#) (6)	Press during play back to skip forward.
Record greeting	(*) (7)	"Now recording" is announced.
Check greeting	(#) (7)	Review your greeting
Record a memo	(*) (8)	Select the mailbox by entering "1", "2" or "3".
Erase individual messages	(#) (9)	Press during play back
Turn answering machine on/off	(#) (0)	Turns the system on/off. "Answer machine on" or "Answer machine off" is announced.

Mounting the base unit on a wall

- 1  Raise the hang-up tab.
- 2  Plug the telephone line cord to the LINE jack and the AC power adaptor to the DC IN 9V jack, and hook the cords. Use the shorter cord for mounting.
- 3  Attach the wall bracket to the center of the base unit.
Align the Δ marks of the wall bracket with those of the base unit.
- 4  Plug the telephone line cord to the telephone outlet, and hook the base unit to the wall plate.
- 5  Plug the AC power adaptor to an AC outlet. Then raise the antenna so that it points towards the ceiling.



Tip

To remove the wall bracket, press the lower tabs.

Notes on power sources

On battery pack

- Store the battery pack at a temperature between 41°F (5°C) and 95°F (35°C) for best performance.
- If you do not use the handset for a long period of time, remove the battery pack after charging for more than 10 hours. This maintains battery life.

On power failure

During a power interruption, you **cannot** make or receive calls, and you **cannot** use the answering machine.

For the customers in the USA

RECYCLING NICKEL-CADMIUM BATTERIES

Nickel-Cadmium batteries are recyclable. You can help preserve our environment by returning your unwanted batteries to your nearest point for collection, recycling or proper disposal.



Note: In some areas the disposal of nickel-cadmium batteries in household or business trash may be prohibited.

RBRC (Rechargeable Battery Recycling Corporation) advises you about spent battery collection by the following phone number.

Call toll free number: 1-800-822-8837
(United States and Canada only)

Caution: Do not handle damaged or leaking nickel-cadmium batteries.

Maintenance

- Clean the cabinets with a soft cloth slightly moistened with water or a mild detergent solution. Do not use any type of abrasive pad, scouring powder or solvent such as alcohol or benzene as they may damage the finish of the cabinet.
- If the charge terminals of the base unit and handset are soiled, wipe them with a soft cloth.

If you have any questions or problems concerning your phone, please consult your nearest Sony dealer.

Troubleshooting

If you've experienced any of the following difficulties while using your phone, use this troubleshooting guide to help you remedy the problem. Should any problem persist, consult your nearest Sony dealer.

	Symptom	Remedy
Making calls	You hear four short error beeps when you press (TALK/FLASH) .	<ul style="list-style-type: none"> • Make sure you have set up the base unit correctly (page 8). • Move the handset closer to the base unit. • Replace the handset to the base unit for a while to reset the random security code.
	You hear no dial tone.	<ul style="list-style-type: none"> • Make sure the telephone line cord is securely connected to the telephone outlet. • Make sure the battery is fully charged (page 11).
	The phone does not connect at all, even though the number you dial is correct.	<ul style="list-style-type: none"> • Make sure the dialing mode is set correctly (page 10).
Receiving calls	The phone does not redial correctly.	<ul style="list-style-type: none"> • Make sure the last dialed number is really the one you want to dial.
	The handset does not ring.	<ul style="list-style-type: none"> • Make sure the ringer is turned on (page 21). • The battery may be weak. Charge the battery for more than 10 hours (page 11). • Make sure you have set up the base unit correctly (page 8). • Move the handset closer to the base unit. • Replace the handset to the base unit for a while to reset the random security code.
	The base unit does not ring.	<ul style="list-style-type: none"> • Make sure the telephone line cord is securely connected to the telephone outlet. • Make sure the ringer is turned on (page 22).
During conversation	You hear interference during conversation.	<ul style="list-style-type: none"> • Move the handset closer to the base unit. • Place the base unit away from noise sources (page 8). • Press (CHANNEL) for a channel that gives better reception.
	You hear a beep every three seconds during the conversation.	<ul style="list-style-type: none"> • The battery is weak. Charge the battery for more than 10 hours.
Speed dialing	You cannot store a speed dialing number.	<ul style="list-style-type: none"> • Make sure you follow the procedure in storing the number correctly. • Replace the handset to the base unit for a while.
	You cannot make a speed dialing call.	<ul style="list-style-type: none"> • You pressed the number button to which no phone number has been stored.
	Speed dialing is incorrect.	<ul style="list-style-type: none"> • Store a correct number.

Troubleshooting (continued)

	Symptom	Remedy
Paging	The handset does not ring when calling from the base unit.	<ul style="list-style-type: none"> The handset may be engaged in conversation. The battery may have little or no power. Charge the battery for more than 10 hours. Replace the handset to the base unit for a while. Raise the antenna of the base unit vertically. Place the base unit away from noise sources.
	Message is not recorded.	<ul style="list-style-type: none"> The remaining recording time is less than 30 seconds or 99 messages were recorded. The answering machine becomes "Memory full" status and does not record messages. Erase messages (page 31). The message is less than two seconds. The answering machine does not record messages less than two seconds in length.
Answering machine	No sound from the speaker of the base unit.	<ul style="list-style-type: none"> Adjust the speaker volume (page 31).
	The caller's message is interrupted.	<ul style="list-style-type: none"> The caller's message is too long. The caller's voice is too low. The unit disconnects the line when it detects seven seconds of silence.
	The clock is incorrect.	<ul style="list-style-type: none"> There was a power interruption. Reset the time (page 24).
Operating from an outside phone	The phone does not accept your remote ID code (security code).	<ul style="list-style-type: none"> Make sure you call from a touch-tone phone. Make sure the remote ID code (security code) is correct. Make sure you entered the remote ID code (security code) within two seconds after you've entered (#).
	The line is disconnected when you call your phone from a touch-tone phone.	<ul style="list-style-type: none"> You entered wrong remote ID codes (security codes) three times.
Power source/battery	The CHARGE lamp does not light up when you place the handset to charge.	<ul style="list-style-type: none"> Wipe the charge terminals of the base unit and the handset with a soft cloth for better contact of the charge terminals. Make sure the handset is placed on the base unit properly.
	The battery duration is short.	<ul style="list-style-type: none"> The battery pack was charged less than 10 hours (due to power failure, etc.). The usage life of the battery has expired and needs replacement.

Message counter

The message counter on the base unit shows the following information.

When the counter shows	It means
Flashing number	Number of messages not yet played back.
CL	Flashes when the day and time is cleared or delayed due to a power interruption, or when you connect the base unit to the AC outlet for the first time. Reset the time correctly (page 24).
A	The announcement only mode is selected (page 32).
F	The recording area is full. Erase unnecessary messages (page 31).

Specifications

General

Frequency band
902 - 928 MHz

Operating channel
30 channels

Dial signal

Tone, 10 PPS (pulse) selectable

Supplied accessories

See page 7.

Handset

Power source

Rechargeable battery pack BP-T23

Battery charging time
Approx. 10 hours

Battery life

Standby: Approx. 6 days

Talk: Approx. 7 hours

Dimensions

Approx. 56 x 183 x 43 mm (w/h/d),
antenna excluded
(approx. 2 1/4 x 7 1/4 x 1 3/4 inches)

Antenna: Approx. 32 mm
(approx. 1 1/4 inches)

Mass

Approx. 230 g
(approx. 8 oz), battery included

Base unit

Power source

DC 9V from AC power adaptor
AC-T130

Battery charging time

Approx. 24 hours

Dimensions

Approx. 155 x 60 x 220 mm (w/h/d),
antenna excluded
(approx. 6 1/8 x 2 3/8 x 8 3/4 inches)

Antenna: Approx. 120 mm
(approx. 4 3/4 inches)

Mass

Approx. 520 g
(approx. 1 lb 2 oz), wall bracket excluded

Answering machine

Maximum recording time

About 15 minutes, using incorporated IC

Greeting message

Up to 90 seconds per each

Incoming and Memo message

Up to 4 minutes per message

Design and specifications are subject to
change without notice.

Index

A

Adjusting volume

handset volume 16, 18
speaker volume 31

Announcement only
mode 32

Answering machine

playing back
messages 30
setting up 24
turning on 29

Audible message alert 28

B

Battery pack

charging 11
duration 12

C

Connection 9

Control codes for remote
operations 36

D

Day and time stamp 24, 30

Dialing mode

choosing 10
switching to the tone
temporarily 18

E, F

Erasing

messages 31

G, H

Greeting 25

I, J, K

Identifying the parts 13

L

Location, base unit 8

M

Mailbox 29

Making calls 16

Memo 34

Messages

pick up from an outside
phone 35
playing 30

Mounting the base unit on
a wall 37

N

Number of rings 27

O

Operating from an outside
phone 35

P, Q

Package contents 7

Paging 23

Playing back 30

Pulse dialing 10

R

Receiving calls 18

Recording

greeting 25
memo 34

Redialing 17

Remote ID code
(security code) 35

Ringer

setting the base ringer 22
setting the ringer
type 21
turning on/off 21

S

Screening calls 33

Setting up

answering machine 24
base unit 8
handset 11

Speaker 31

Speed dialing 19

Stamping messages with
day and time 24, 30

T, U

Toll saver 27

Tone dialing

dialing mode 10
switching to 18

Troubleshooting 39

V, W, X, Y, Z

Volume

handset 16, 18
speaker 31