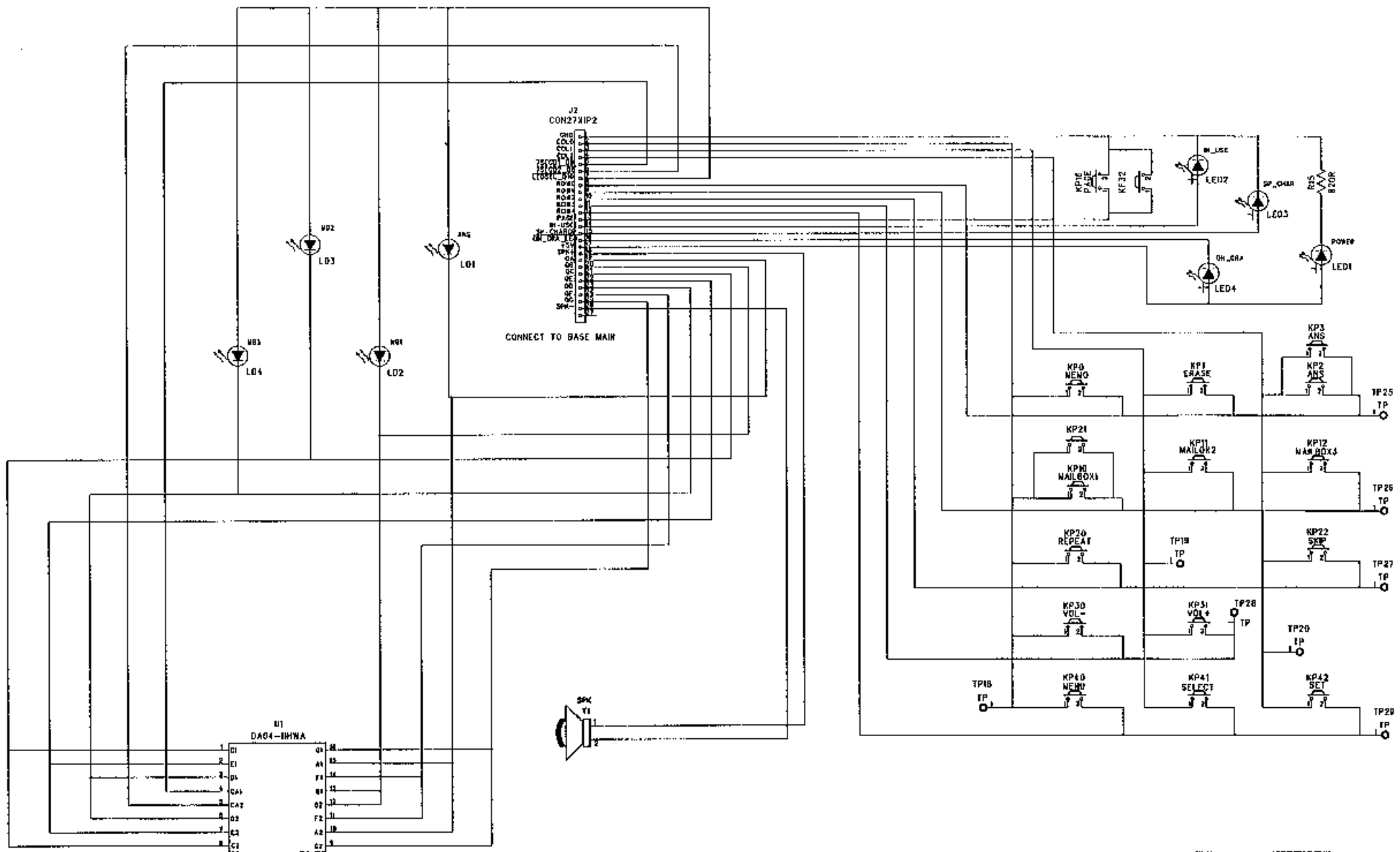


6 5 4 3 2 1

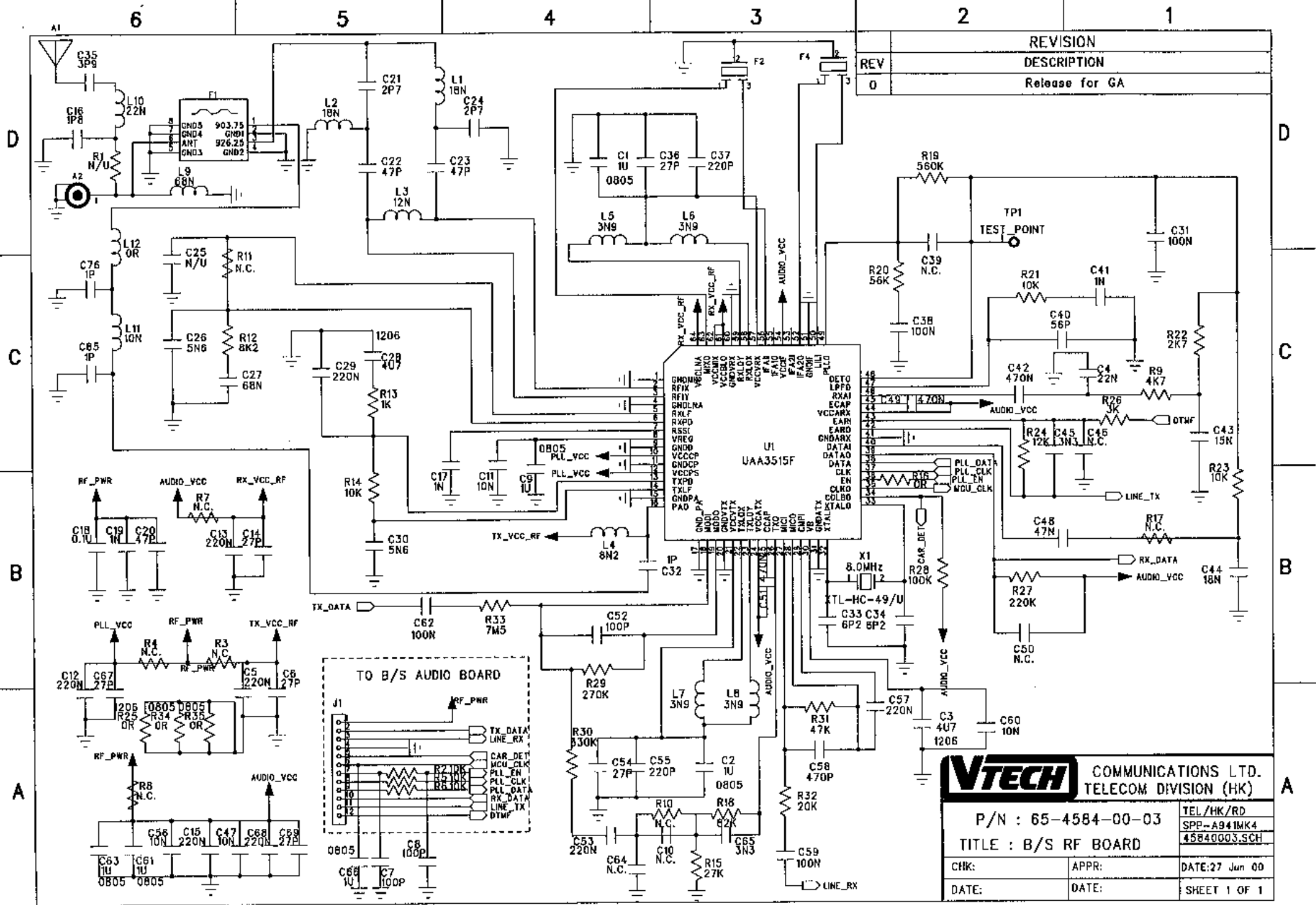
REVISION	
REV	DESCRIPTION
0	First release for GA

D
C
B
A



VTECH COMMUNICATIONS LTD.
TELECOM DIVISION (HK)

P/N : 35-4548-00-02		SPP-A141 MK4
TITLE : BASE KEYBOARD		44780002.SCH
CHK:	APP:	SCH DOC R.O
DATE:	DATE:	SHEET 1 OF 1



REVISION	
REV	DESCRIPTION
0	Release for GA

VTECH COMMUNICATIONS LTD.
TELECOM DIVISION (HK)

P/N : 65-4584-00-03		TEL/HK/RD
TITLE : B/S RF BOARD		SPP--A941MK4
CHK:	APPR:	DATE: 27 Jun 00
DATE:	DATE:	SHEET 1 OF 1

6

5

4

3

2

1

REVISION	
REV	DESCRIPTION
0	FOR GA

D

D

C

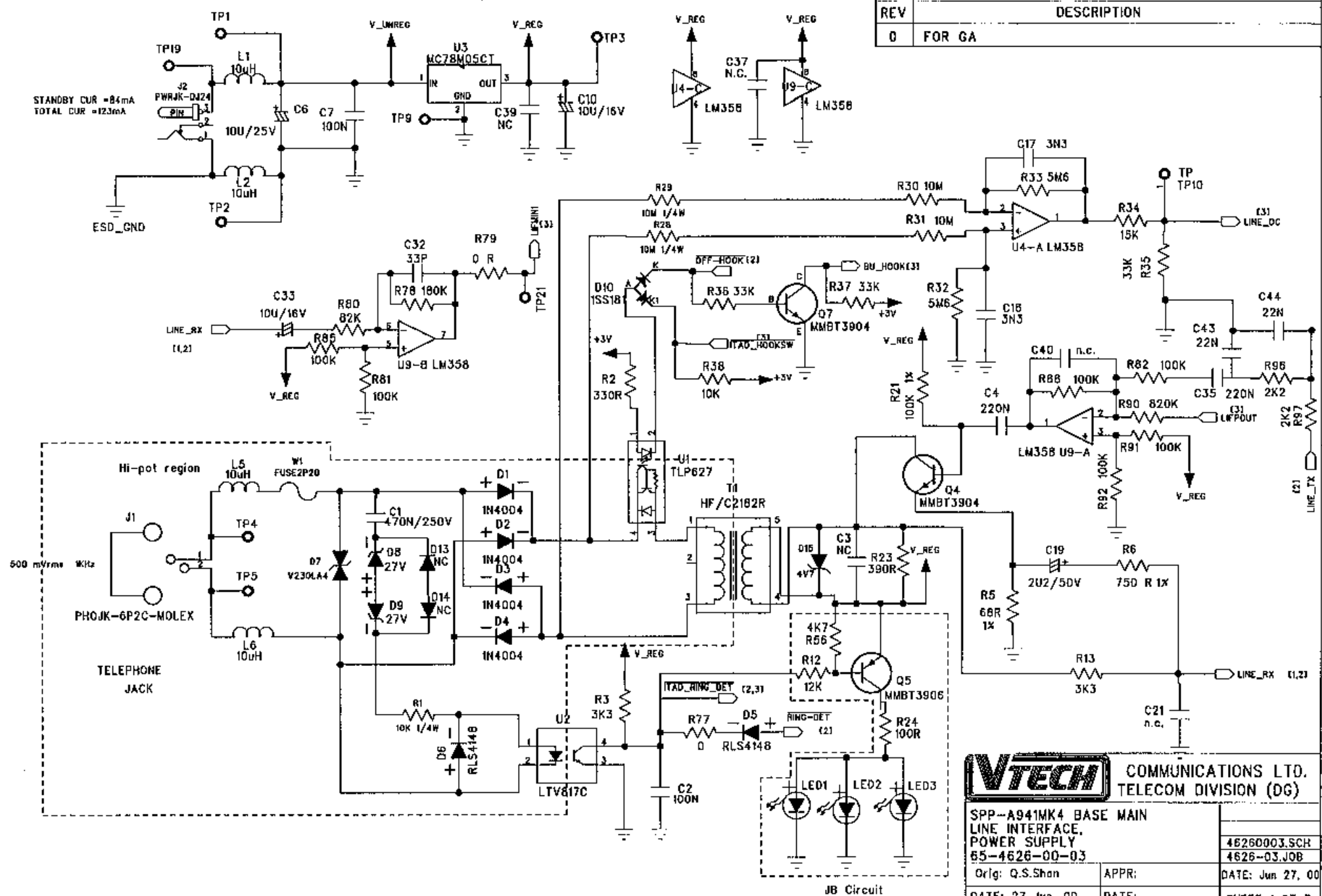
C

B

B

A

A



STANDBY CUR = 84mA
TOTAL CUR = 123mA

ESD_GND

500 mVrms kHz

PHOJK-6P2C-MOLEX

TELEPHONE JACK

JB Circuit



COMMUNICATIONS LTD.
TELECOM DIVISION (DG)

SPP-A941MK4 BASE MAIN		
LINE INTERFACE,		
POWER SUPPLY		46260003.SCH
65-4626-00-03		4626-03.JOB
Orig: Q.S.Shan	APPR:	DATE: Jun 27, 00
DATE: 27 Jun, 00	DATE:	SHEET 1 OF 3

6

5

4

3

2

1

REVISION	
REV	DESCRIPTION
0	FOR GA

D

D

C

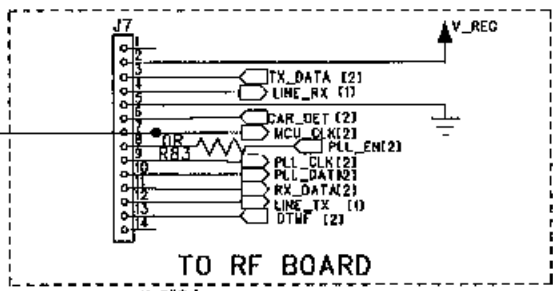
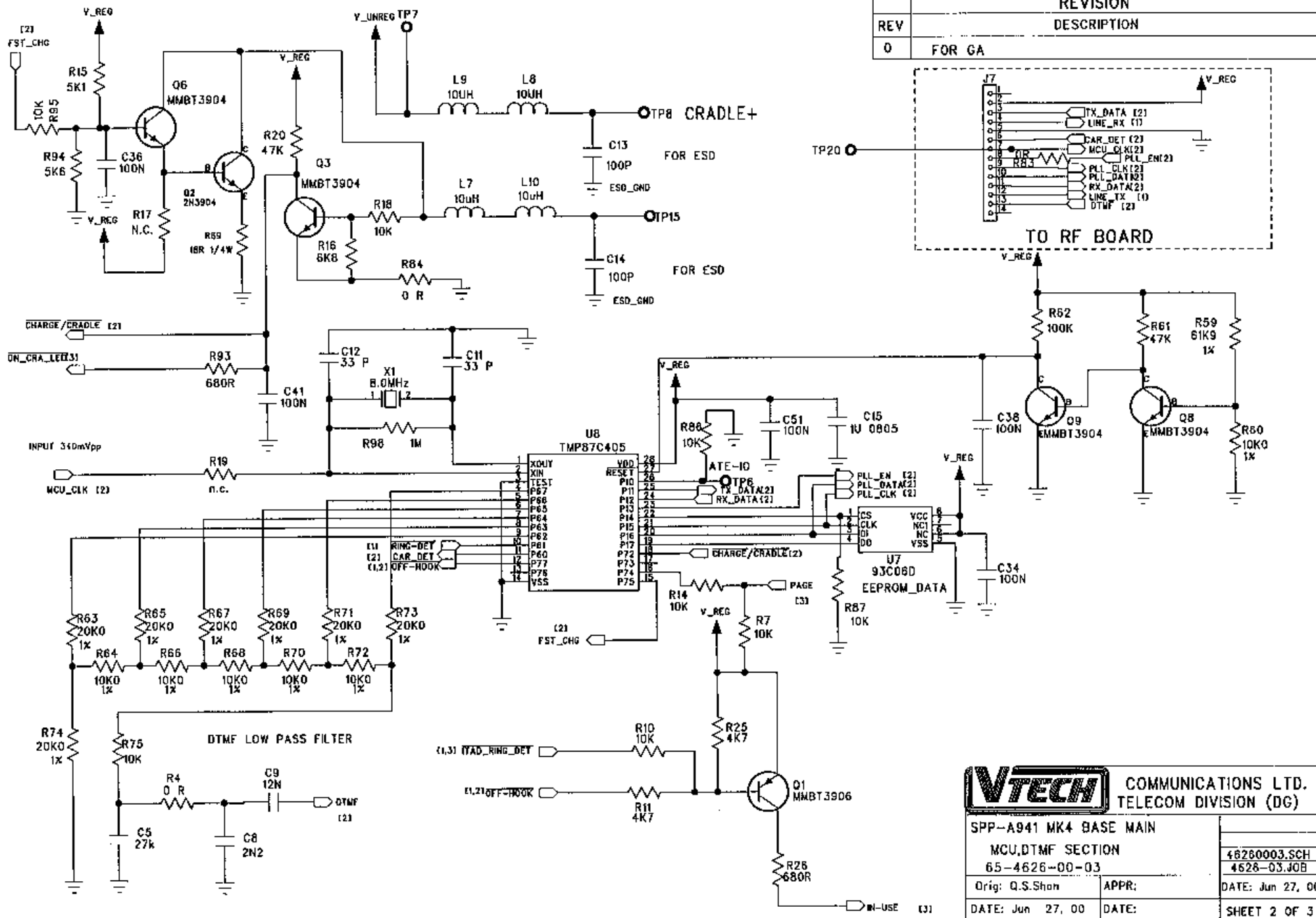
C

B

B

A

A



VTECH COMMUNICATIONS LTD.
TELECOM DIVISION (DG)

SPP-A941 MK4 BASE MAIN		
MCU,DTMF SECTION		46260003.SCH
65-4626-00-03		4626-03.JOB
Orig: Q.S.Shan	APPR:	DATE: Jun 27, 00
DATE: Jun 27, 00	DATE:	SHEET 2 OF 3

6

5

4

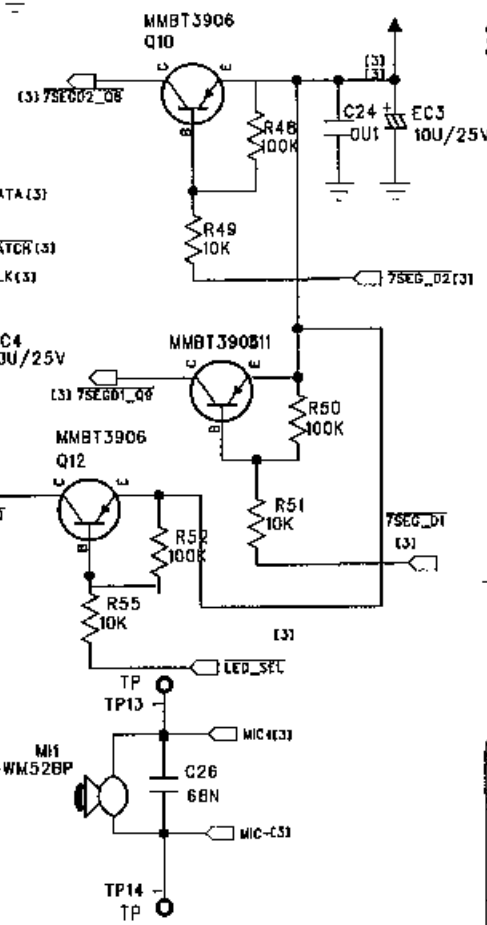
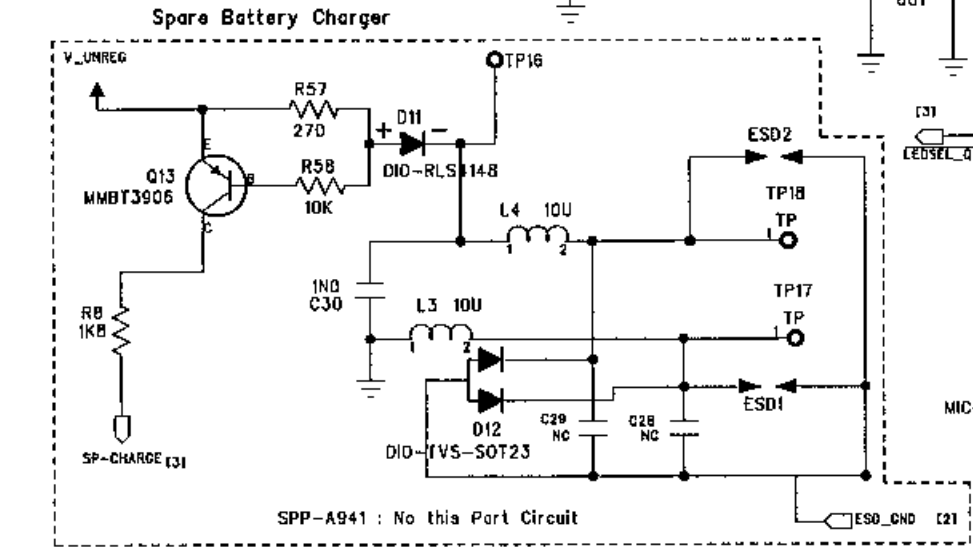
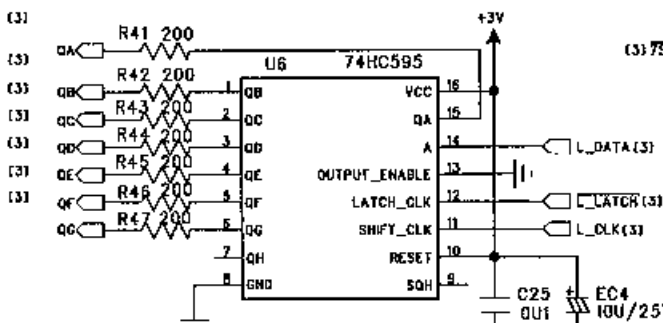
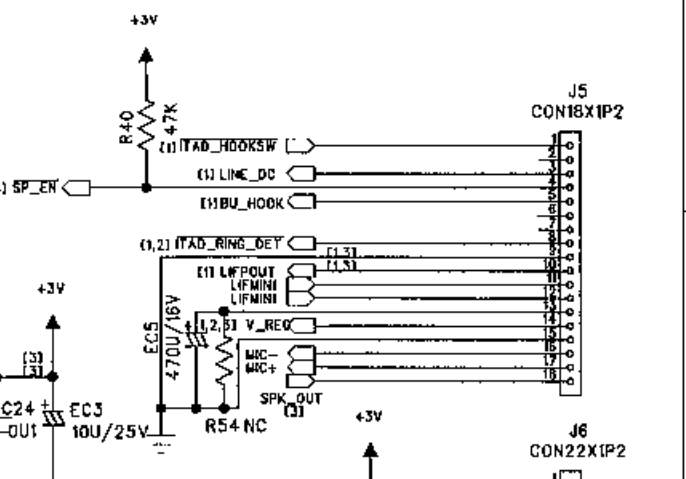
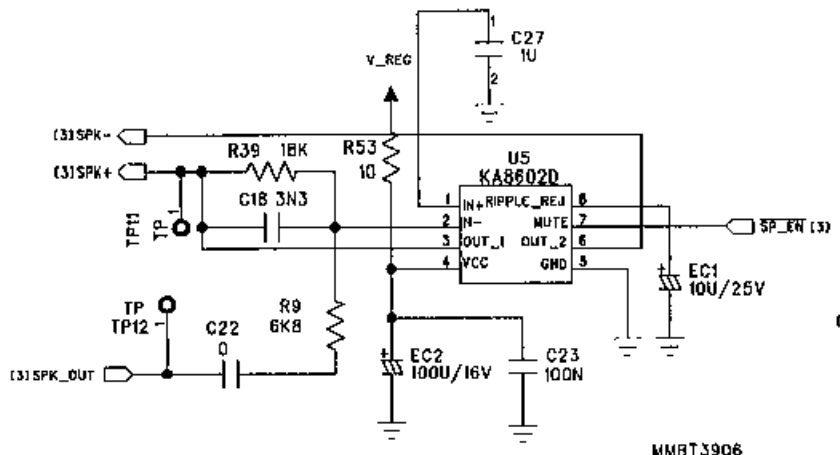
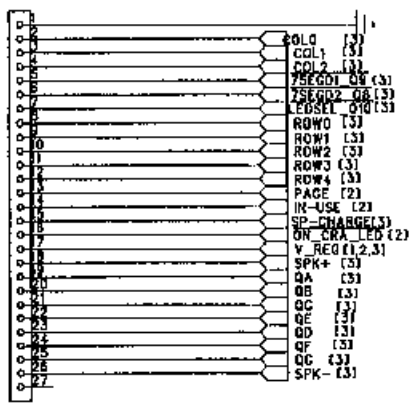
3

2

1

REVISION	
REV	DESCRIPTION
0	FOR GA

J4 CON27X1P2 CONNECT TO KEY BOARD



VTECH COMMUNICATIONS LTD. TELECOM DIVISION (DG)

SPP-A941MK4 BASE MAIN		
ITAD Interface, AMP circuit		46260003.SCH
		65-4626-03.00B
Orig: Q.S.Shan	APPR:	DATE: Jun 27, 00
DATE: Jun 27, 00	DATE:	SHEET 3 OF 3

SPP-A941 : No this Part Circuit

6

5

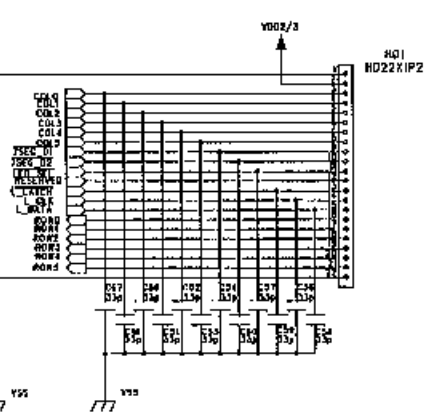
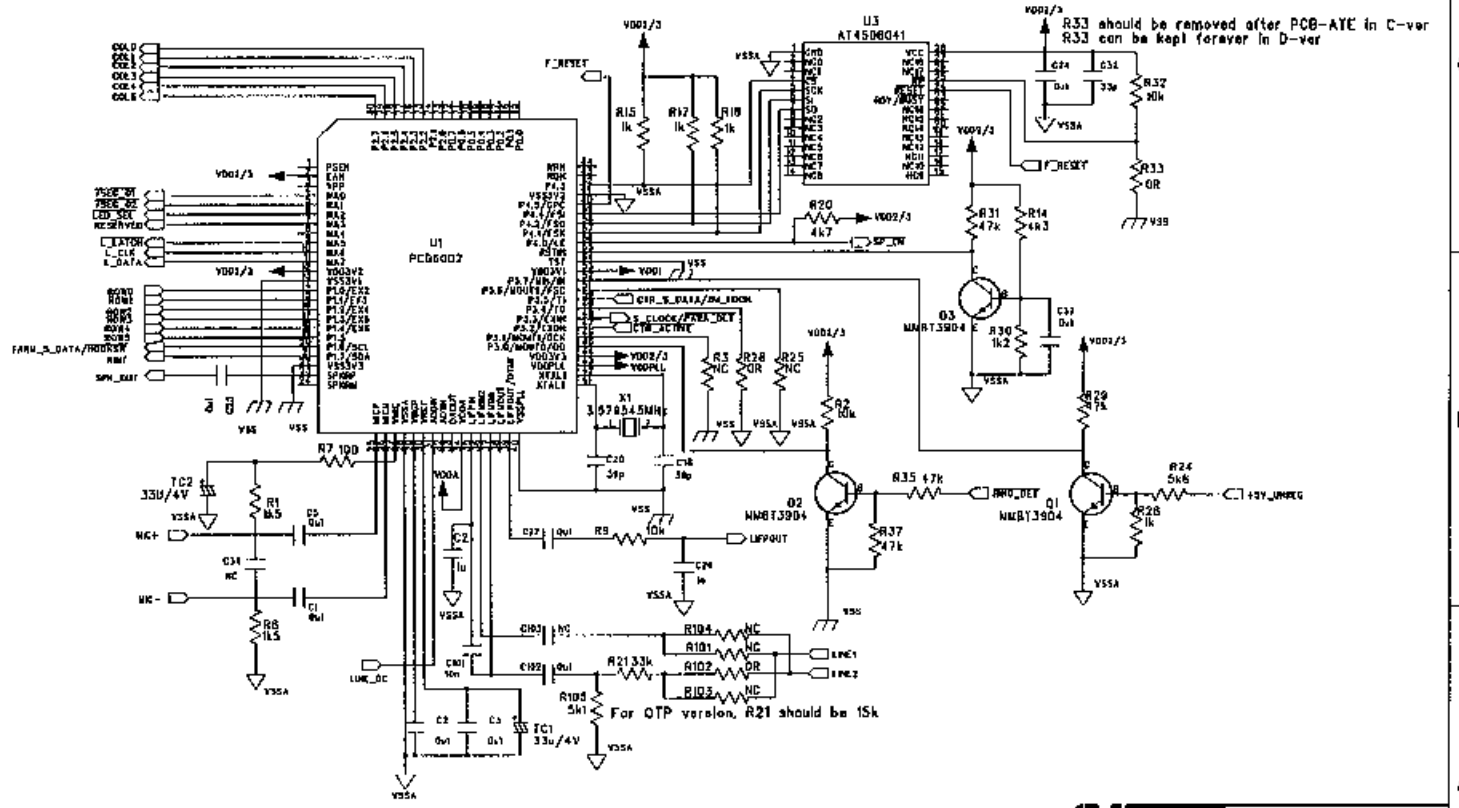
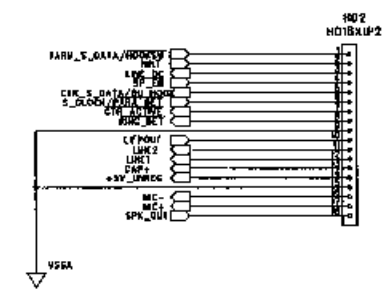
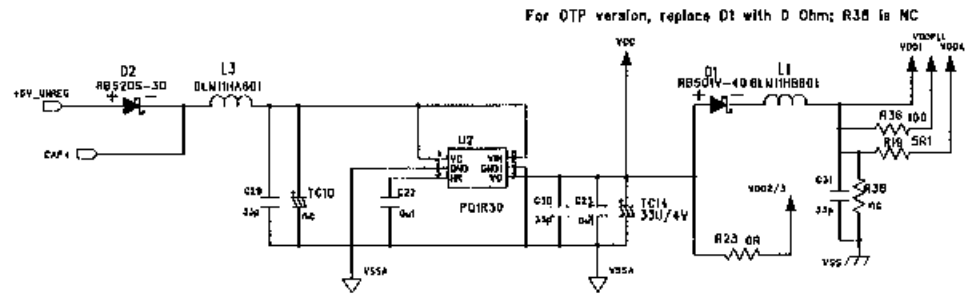
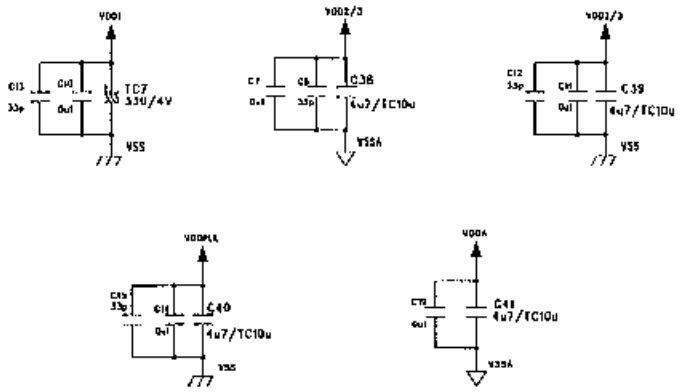
4

3

2

1

REVISION	
REV	DESCRIPTION
0	1. Re-route to LFMM1 for better CODEC performance 2. Delete unnecessary components 3. Primary purpose for PCB001



NOTE
 DIMENSION : 44mm x 46mm x 1.0mm
 WHEN OTP (PC06002) IS USED :

1. U2 IS CHANGED TO 3V REGULATOR (PQIR30)
2. D1 IS REPLACED BY OR (0805)
3. R14 IS CHANGED TO 4k3
4. R38 IS CHANGED TO NC
5. R21 IS CHANGED TO 15K

1. PCB : 35-4388-09-00
2. 0-Ver. : 1). PC060010 : 27-7520-06-03 D1 is RB501V-4, R21 is 33K
 2). PC060020 : 27-7510-26-03 D1 is 0 Ohm, R21 is 15K.

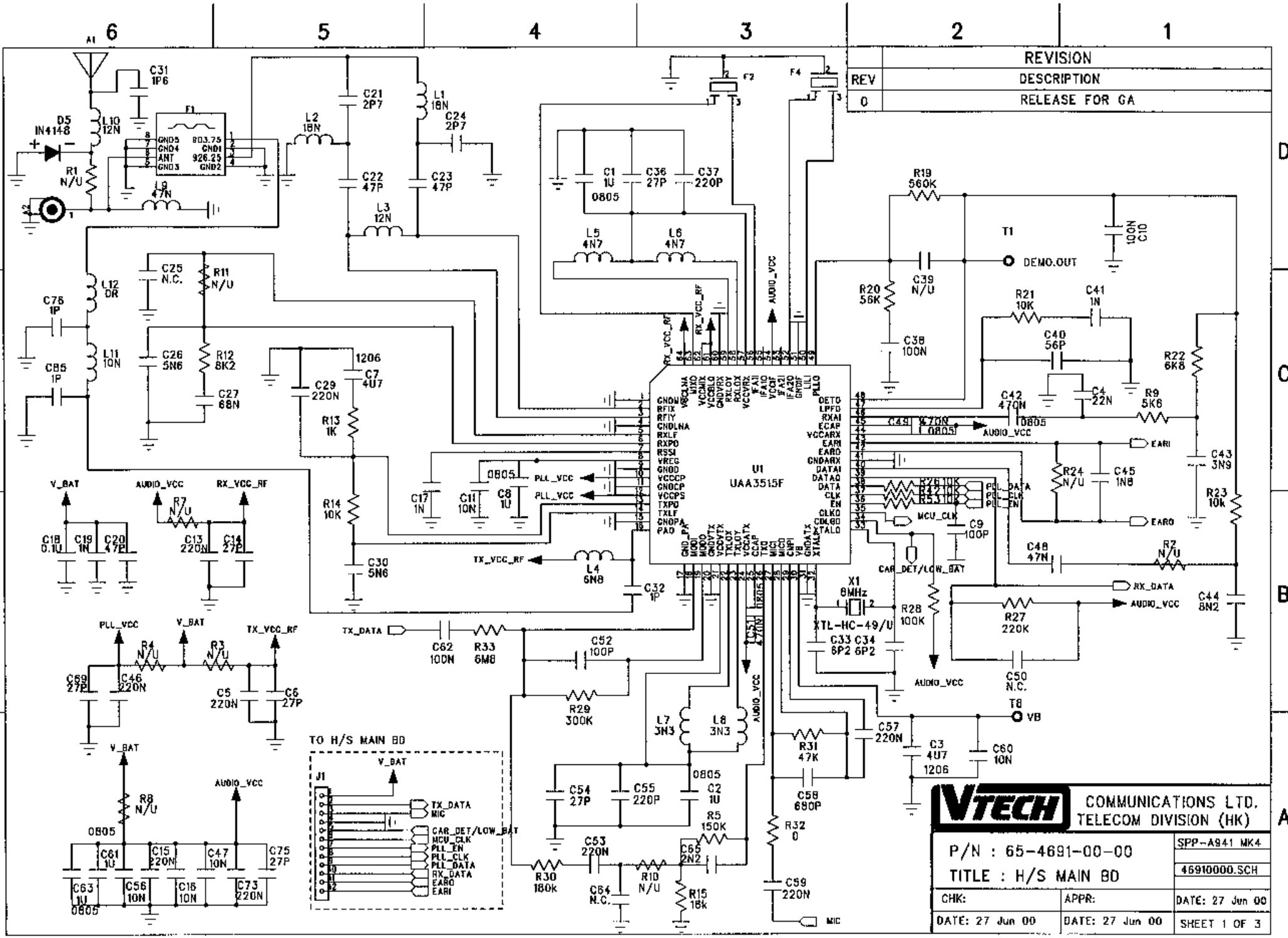
MODE SETTING			
PORT	RES.	IN/C	OR
P3.1	R3	MODE2	MODE1
P3.4	R2B	ADCT +7dB	ADCT +23dB
P3.6	R25	DCM 3.2K	DCM 5.2K

VTECH COMMUNICATIONS LTD.
 TELECOM DIVISION (HK)

P/N : 65-4388-09 REV : R.8.0

TITLE : ITAD MODULE MK3 FILE : 43880001.csh
 CHK: D.S.SHAH APPR: DRG: D.S.SHAH
 DATE: DATE: DATE: Dec. 9, 99

SHEET 1 OF 1

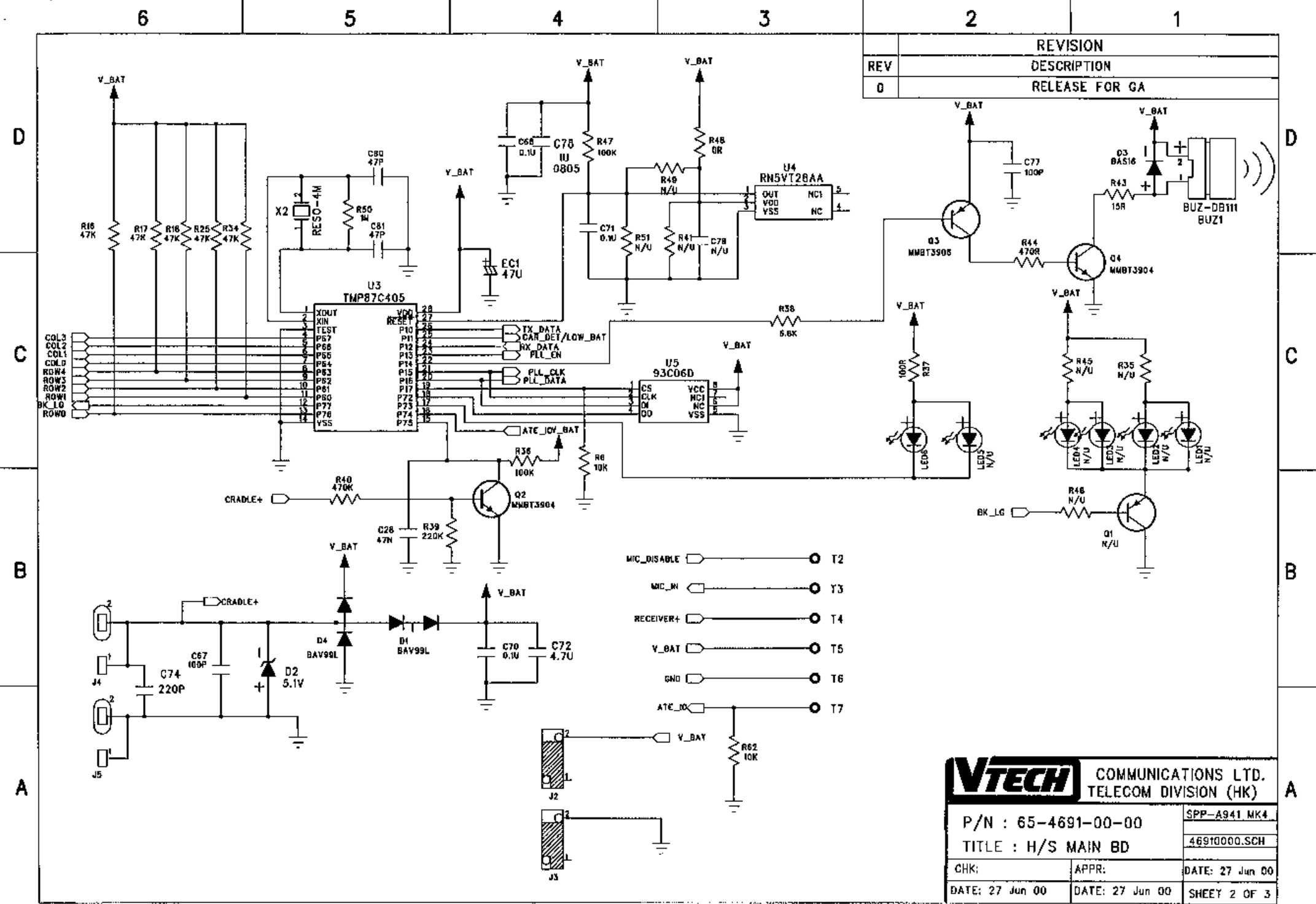


REVISION	
REV	DESCRIPTION
0	RELEASE FOR GA

VTECH COMMUNICATIONS LTD.
TELECOM DIVISION (HK)

P/N : 65-4691-00-00	SPP-A941 MK4
TITLE : H/S MAIN BD	46910000.SCH
CHK:	APPR:
DATE: 27 Jun 00	DATE: 27 Jun 00

SHEET 1 OF 3



REVISION	
REV	DESCRIPTION
0	RELEASE FOR GA

VTECH COMMUNICATIONS LTD.
TELECOM DIVISION (HK)

P/N : 65-4691-00-00		SPP-A941.MK4
TITLE : H/S MAIN BD		46910000.SCH
CHK:	APPR:	DATE: 27 Jun 00
DATE: 27 Jun 00	DATE: 27 Jun 00	SHEEY 2 OF 3

6

5

4

3

2

1

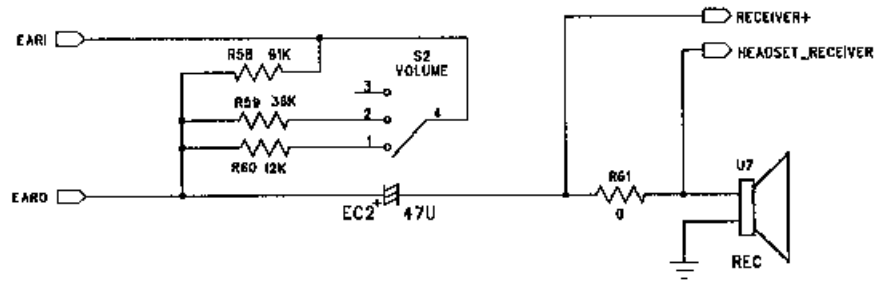
REVISION	
REV	DESCRIPTION
0	RELEASE FOR GA

D

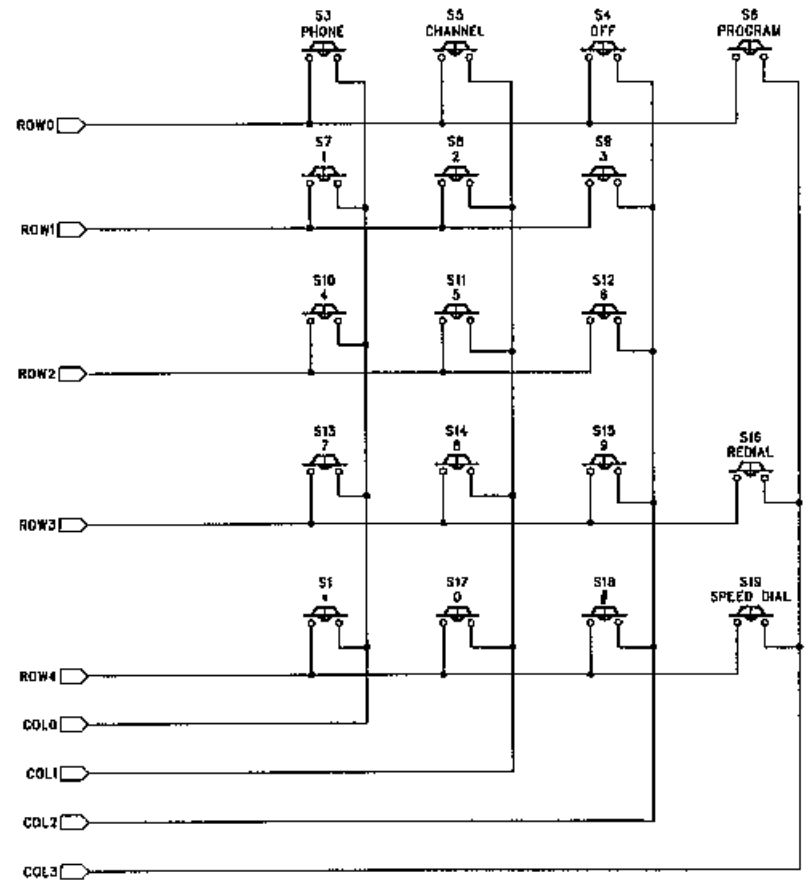
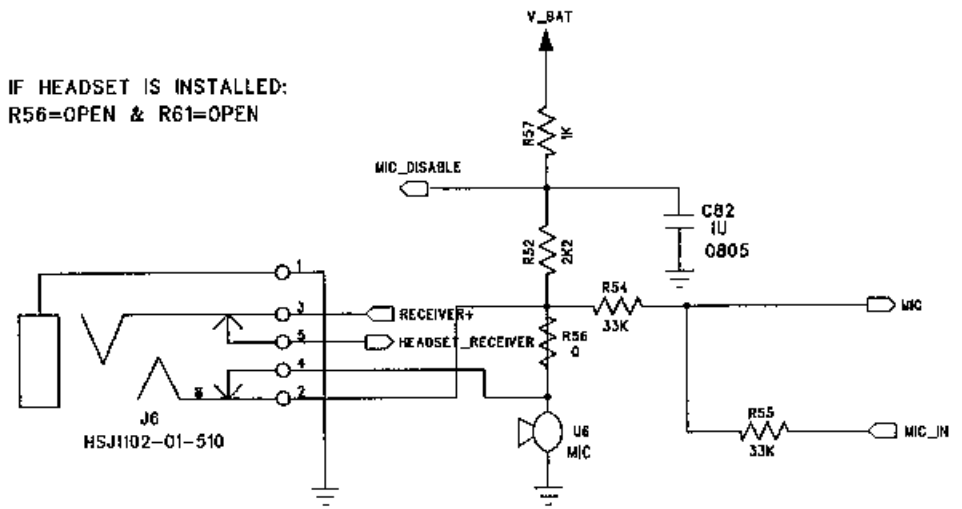
C

B

A



IF HEADSET IS INSTALLED:
R56=OPEN & R61=OPEN



D

C

B

A

VTECH COMMUNICATIONS LTD. TELECOM DIVISION (HK)	
P/N : 65-4691-00-00	SPP-A941 MK4
TITLE : H/S MAIN BD	46910000.SCH
CHK:	APPR: DATE: 27 Jun 00
DATE: 27 Jun 00	DATE: 27 Jun 00 SHEET 3 OF 3