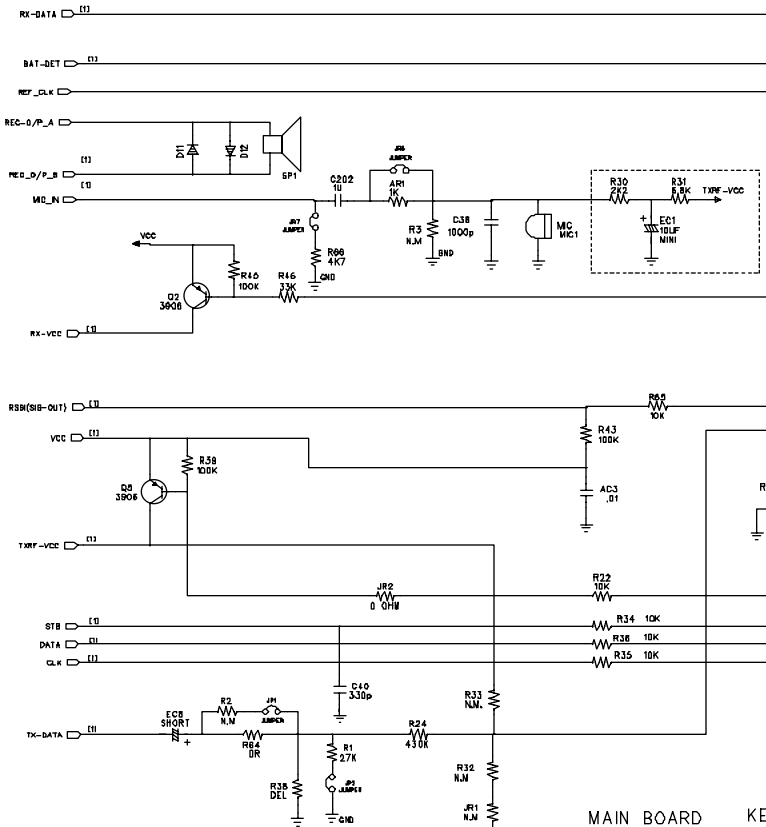


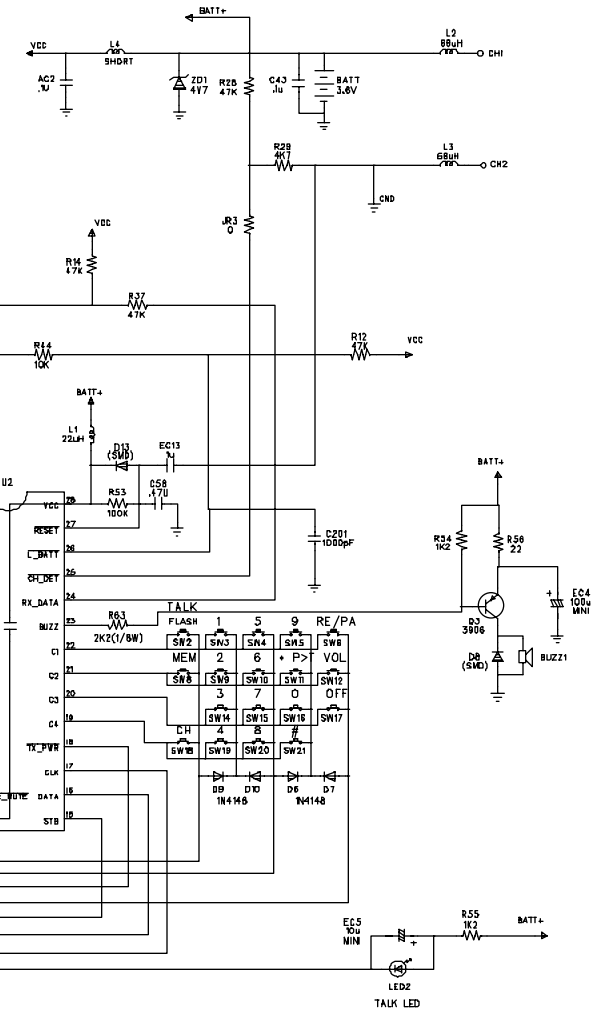
PS	FC1	REC_O/P_A
	FC2	BK-VCC
	FC3	VCC
	FC4	VCC
	FC5	REC-DATA
	FC6	STB
	FC7	DATA
	FC8	BAT-DET
	FC9	RDS(SW-OUT)
	FC10	REF-CLK
	FC11	CLK
	FC12	MC_N
	FC13	TX-DATA
	FC14	TXF-VCC
	FC15	REC_O/P_B

KEYBOARD



MAIN BOARD KEYBOARD

NOTED : 1.RESISTOR VALUE : OHM  
 2.CAPACITOR VALUE : uF OR F  
 3.DIODES 1N4148 UNLESS SPECIFIED



VTECH TELECOMMUNICATIONS LTD.  
 FCC ID: EW789-5004-00  
 EXHIBIT #: 3D

CCT TELECOM (R & D) LTD

DATE :	MAR - 28 - 2000	FOR BA1	MODEL :	VT9108
DRAWN BY:	HONGPING PU	FILE NAME:	TITLE :	USA 900MHz 4DCH CORDLESS PHONE HANDSET KEYBOARD
CHECKED BY:		DRAWING NO: 58S		
APPROVED BY:		SHEET : 1 OF 4		