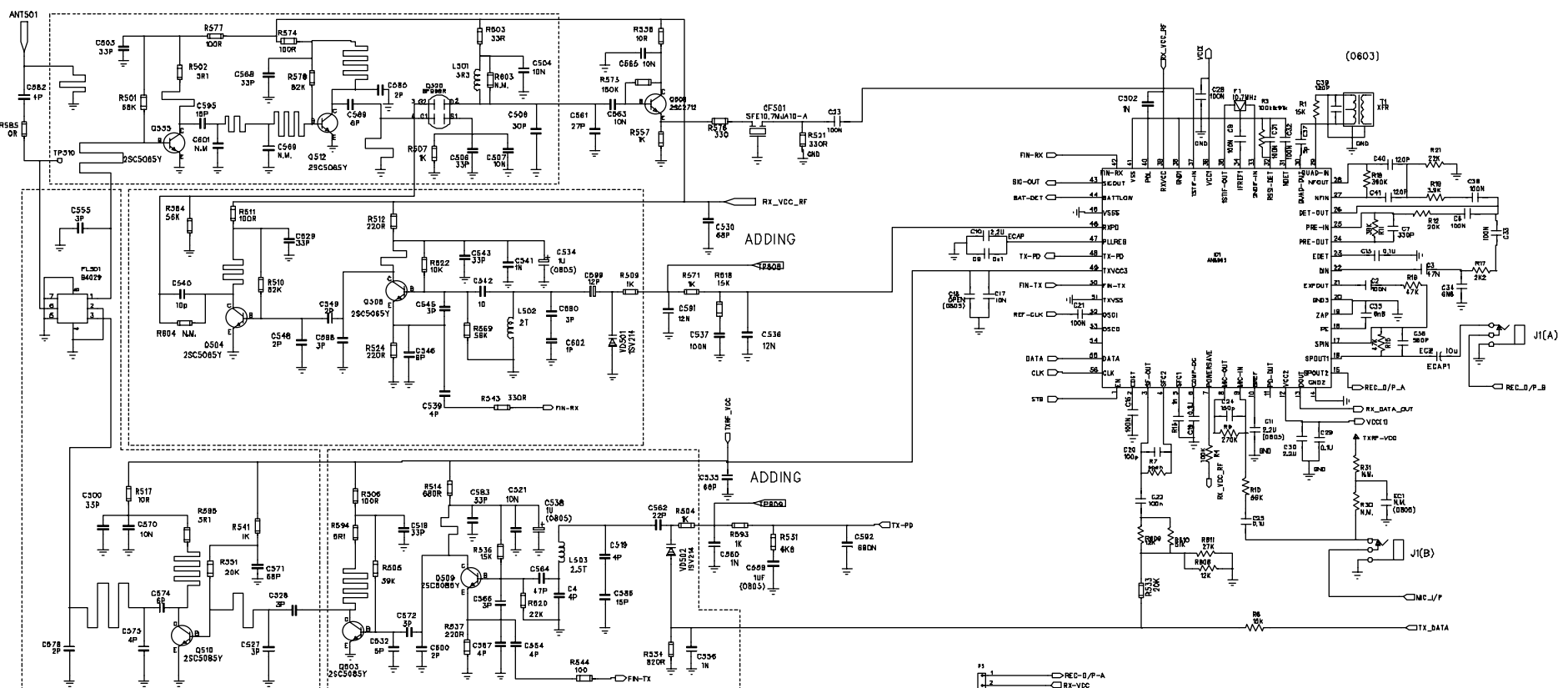


| REVISION RECORD | | | |
|-----------------|----------|----------|------|
| LTR | ISS. NO. | APPROVED | DATE |
| | | | |
| | | | |

HANDSET RF BOARD



VTECH TELECOMMUNICATIONS LTD.
 FCC ID: EW789-5004-00
 JOB #: 226AH0
 EXHIBIT #: 3C

- 1 REC-D/P-A
- 2 RX-VCC
- 3 VCC
- 4 RX-DATA
- 5 STB
- 6 DATA
- 7 BAT-DET
- 8 BIE-OUT
- 9 REF-CLK
- 10 CLK
- 11 MC_I/P
- 12 TX-DATA
- 13 TXRF-VCC
- 14 REC-D/P-B

| | | | |
|------------------------------|---|------------------|--|
| COMPANY: CCT TELECOM R&D LTD | | | |
| DATE: 20-5-00 | MODEL: VT9109 | | |
| DRAWN BY: HONGPING PU | TITLE: USA 40CH CORDLESS PHONE HANDSET RF BOARD | | |
| CHECKED BY: | | | |
| APPROVED BY: | | | |
| FILE NAME: | SIZE: A1 | DRAWING NO: 286- | |
| | REV: A | SHEET: 1 OF 4 | |