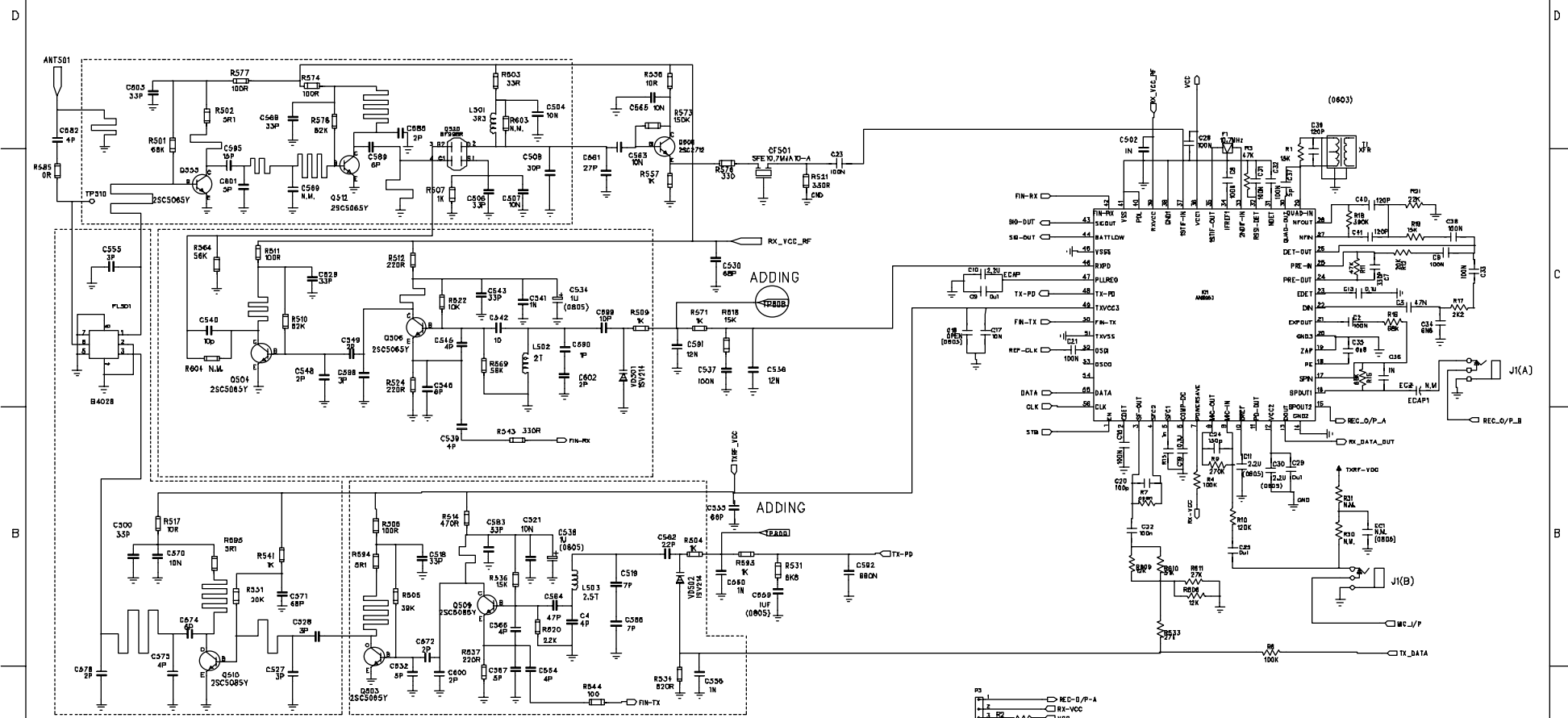


REVISION RECORD			
LTR	ECG. NO.	APPROVER	DATE

BASE RF BOARD



VTECH TELECOMMUNICATIONS LTD.
 FCC ID: EW789-5004-00
 JOB #: 226AH0
 EXHIBIT #: 3B

- 1 REC-D/P-A
- 2 RX-VCC
- 3 VCC
- 4 TX-VCC
- 5 RX-DATA
- 6 BTB
- 7 DATA
- 8 BAT-DET
- 9 S4-OUT
- 10 S4-OUT
- 11 REF-CLK
- 12 CLK
- 13 SMC-IN
- 14 TX-DATA
- 15 TXRF-VCC
- 16 REC-D/P-B

COMPANY: CCT TECH GROUP			
DATE: 20-5-00	MODEL: VT9109	TITLE: USA 40CH CDRLESS PHONE BASE RF BOARD	
DRAWN BY: HONGPING PU	CHECKED BY:	APPROVED BY:	SIZE: A1 DRAWING NO: 295-
FILE NAME:	REV: A	SHEET: 3	OF 4