

Copyright, Trademarks, Legal Disclaimers

© 2024 Snom Technology GmbH. All Rights Reserved.

Snom, the names of Snom products, and Snom logos are trademarks owned by Snom Technology GmbH.

All product specifications are subject to change without notification. Snom Technology GmbH reserves the right to revise and change this document at any time, without being obliged to announce such revisions or changes beforehand or after the fact.

Although due care has been taken in the compilation and presentation of the information in this document, the data upon which it is based may have changed in the meantime. Snom therefore disclaims all warranties and liability for the accurateness, completeness, and currentness of the information published, except in the case of intention or gross negligence on the part of Snom or where liability arises due to binding legal provisions.

Important Information

Follow the instructions in the manual and other applicable documentation of the device. Save this guide and do not give the device to third parties without it.

The nameplate is located at the bottom or rear of the product.

Safety Instructions

- This device is designed for professional use.
- Warning:** The product included (ITE) in this manual is to be connected only to PoE networks without routing to the outside plant.
- The socket outlet for the power adaptor must be near the equipment and easily accessible.
- Warning:** Other power supplies may damage or destroy the phone, affect its behavior, or induce noise.
- If the phone is not supplied with power via the Ethernet cable, use only the power adaptor listed in the user instructions. Other power supplies may damage or destroy the phone, affect its behavior, or induce noise.
- Avoid placing the cables where people may trip over them or where they may be exposed to mechanical pressure as this may damage them.
- This device is for indoor use only! **NOT FOR OUTDOOR USE!**
- Do not install the device in rooms with high humidity (for example, in bathrooms, laundry rooms, damp basements). Do not immerse the device in water and do not spill or pour liquids of any kind onto or into the device.
- Do not install the device in surroundings at risk for explosions (paint shops, for example). Do not use the device if you smell gas or other potentially explosive fumes.
- Do not use the device during thunderstorms. Lightning striking the power grid may cause electric shocks.
- Warning:** The handset contains a magnet, and its earpiece may attract small dangerous objects such as needles or pins. Please ensure before each use that no such objects are present.
- SELV (Safety Extra Low Voltage) Compliance. Safety status of Input/Output connections comply with SELV requirements. **Warning:** To avoid electric shock, do not connect safety extra-low voltage (SELV) circuits to telephone-network voltage (TNV) circuits. LAN ports contain SELV circuits, and PSTN ports contain TNV circuits. Some LAN and PSTN ports both use RJ-45 (8P8C) connectors. Use caution when connecting cables.
- Caution:** To maintain compliance with radio frequency exposure requirements, the phone shall be installed and used so that parts of user's body other than hands keep a distance of 20 cm or more.

Standards conformance

This device complies with Directive 2014/53/EU and the essential health, safety, and environmental requirements of all relevant European directives. This device complies with the Radio Equipment Regulations 2017 and the essential health, safety, and environmental standards of the UK.

You can download the declaration of conformity at www.snom.com/conformity.

Unauthorized opening, changing, or modifying the device will cause the warranty to lapse and may also result in the loss of CE and IC conformity and the FCC certification. In case of malfunction contact authorized service personnel, your seller, or Snom.

This device is FCC certified and meets US health, safety, and environmental standards.

FCC ID: EW780-S212-00

This product meets the applicable Innovation, Science and Economic Development Canada technical specifications.

IC: 1135B-80S21200

HVIN: 35-400509BS

FCC part 15

This device complies with Part 15 of the FCC rules. Operation is subject to the following two conditions:

- (1) This device may not cause harmful interference, and (2) this device must accept any interference received, including interference that may cause undesired operation.

This equipment has been tested and found to comply with the limits for a Class A digital device, pursuant to Part 15 of the FCC Rules. These limits are designed to provide reasonable protection against harmful interference when the equipment is operated in a commercial environment.

This equipment generates, uses, and can radiate radio frequency energy and, if not installed and used in accordance with the instruction manual, may cause harmful interference to radio communications. Operation of this equipment in a residential area is likely to cause harmful interference in which case the user will be required to correct the interference at the user's expense.

WARNING: Changes or modifications to this equipment not expressly approved by the party responsible for compliance could void the user's authority to operate the equipment.

Privacy of communications may not be ensured when using this telephone.

RF Radiation Exposure

This VoIP Phone complies with FCC RF radiation exposure limits set forth for an uncontrolled environment.

Caution: To maintain compliance with the radio frequency exposure requirement, the phone shall be installed and used so that parts of user's body other than hands keep a distance of 20 cm or more.

Consumer Information

- This equipment complies with Part 68 of the FCC rules and the requirements adopted by the ACTA. On the bottom of this equipment is a label that contains, among other information, a product identifier in the format US:AAEQ##TXXXX. If requested, this number must be provided to the telephone company.
- An applicable certification jacks Universal Service Order Codes (USOC) for the equipment is provided (i.e., RJ45C) in the packaging with each piece of approved terminal equipment.
- A plug and jack used to connect this equipment to the premises wiring and telephone network must comply with the applicable FCC Part 68 rules and requirements adopted by the ACTA. A compliant LAN cable (RJ45) and modular plug is provided with this product. An RJ45 jack should normally be used for connecting to the SIP equipment through the LAN cable. See installation instructions for details.
- If this equipment causes harm to the telephone network, the telephone company will notify you in advance that temporary discontinuance of service may be required. But if advance notice isn't practical, the telephone company will notify the customer as soon as possible. Also, you will be advised of your right to file a complaint with the FCC if you believe it is necessary.
- The telephone company may make changes in its facilities, equipment, operations or procedures that could affect the operation of the equipment. If this happens the telephone company will provide advance notice in order for you to make necessary modifications to maintain uninterrupted service.
- Should you experience trouble with this equipment, please contact
Snom Technology GmbH
1 (339) 227-6160 (select option 2)

for repair or warranty information. If the equipment is causing harm to the telephone network, the telephone company may request that you disconnect the equipment until the problem is resolved.

- Please follow instructions for repairing if any (e.g. battery replacement section); otherwise do not alternate or repair any parts of device except specified.
- Connection to party line service is subject to state tariffs. Contact the state public utility commission, public service commission or corporation commission for information.
- NOTICE:** If your home has specially wired alarm equipment connected to the telephone line, ensure the installation of this device does not disable your alarm equipment. If you have questions about what will disable alarm equipment, consult your telephone company or a qualified installer.
- This equipment is hearing aid compatible.

NOTICE: According to telephone company reports, AC electrical surges, typically resulting from lightning strikes, are very destructive to telephone equipment connected to AC power sources. To minimize damage from these types of surges, a surge arrester is recommended.

Industry Canada

This Class A digital apparatus complies with Canadian requirements: CAN ICES-003 (A)/NMB-003(A).

This device contains licence-exempt transmitter(s)/ receiver(s) that comply with Innovation, Science and Economic Development Canada's licence-exempt RSS(s). Operation is subject to the following two conditions:

1. This device may not cause interference.
2. This device must accept any interference, including interference that may cause undesired operation of the device.

Privacy of communications may not be ensured when using this telephone.

The term "IC:" before the certification/registration number only signifies that the Industry Canada technical specifications were met. This product meets the applicable Innovation, Science and Economic Development Canada technical specifications.

RF Radiation Exposure

This VoIP phone also complies with Industry Canada RSS-102 with respect to Health Canada's Safety Code 6 for human exposure to radiofrequency electromagnetic energy.

To maintain compliance with the radio frequency exposure requirement, the phone shall be installed and used so that parts of user's body other than hands keep a distance of 20 cm or more.

Technical specifications

- Safety:** IEC 62368-1
- Wireless LAN (WLAN, WiFi):** 802.11b/g/n/a/ac
 - Radio frequency (RF) bands:**
 - EMEA: 2412–2472 MHz, 5150–5850 MHz
 - US: 2412–2462 MHz, 5150–5850 MHz
 - Max. transmission power:**
 - 2.4G Wi-Fi: 18dBm (U.S. & EMEA)
 - 5G Wi-Fi B1: 16dBm (U.S. & EMEA)
 - 5G Wi-Fi B2: 16dBm (U.S. & EMEA)
 - 5G Wi-Fi B3: 16dBm (U.S. & EMEA)
 - 5G Wi-Fi B4: 16dBm (U.S. & EMEA)

- Connectors:**
 - 2 x RJ45 (Ethernet): 1 x LAN, 1 x PC
 - 2 x 4P4C (handset, optional headset)
 - 1 x RJ12 (for EHS)
 - 2 x USB 2.0 ports type A
 - 1 x 5V DC power jack

- Ethernet:** 2 x IEEE 802.3 / 1 Gigabit Ethernet switch
 - Power over Ethernet (PoE):** IEEE 802.3af, Class 3
- If PoE is not available, use the separately available power adapter (not included in delivery): Mass Power, model NBS12E050200UV.
- With EU and UK clip: Snom PN 00004570
 - U.S./Canada: shipped with U.S. clip

Disposal of the device

This device is subject to European Directive 2012/19/EU and may not be disposed of with general household garbage. If you

do not know where to dispose the device at the end of its lifespan, contact your municipality, local waste management provider, or vendor.

For countries outside the European Union

Disposal of electrical and electronic products in countries outside the European Union should be done in line with local regulations. Please contact local authorities for further information.

Cleaning

To clean the device, use an anti-static cloth. Please avoid cleaning liquids as they might damage the surface or internal electronics of the device.

Setting up and connecting the phone: See figures B, C, and D.

Please note that the cover of the display (Fig. D) is held in place magnetically for easy removal, if necessary for customization or replacement. If the protective film covering it is peeled off with too much force, the cover may become dislodged from the display. Simply put it back into its proper position.

Initializing and registering the phone

NOTE: You will need the registration information received from your Internet service provider or your network administrator - normally the phone or extension number, the password, and the registrar.

After you have set up the phone and connected it to the network, it will begin to initialize. Normally the initialization is completely automatic, using DHCP.

If your network does not support DHCP, you must obtain the IP address, netmask, IP gateway, and DNS server from your Internet service provider or your network administrator and enter them manually.

When the phone has been connected, it will show the Watch the display and, when prompted, select an option by pressing the up or down arrow on the navigation key (Fig. D). Save your selection by pressing the OK key .

1. Language. The default is English.
2. Time zone. Press the function key underneath / to go to the next/previous time zone, then to show all available options within that time zone.
3. Tone scheme (dial tone)
4. The display shows the "Welcome" screen. Press any key to log on. Alternatively, you can also use the

phone's web interface to continue the registration; the web interface's url is shown on the welcome screen.

5. Enter the account number. Press to save.
6. Enter the registrar. Press to save.
7. If required, enter the password received from your Internet service provider or administrator. Press to save.

After successful registration you will see the idle screen (Fig. E).

For further information, please see our web page <https://service.snom.com>.

DEUTSCH

Copyright, Markenrechte, Haftungsausschluss

© 2024 Snom Technology Aktiengesellschaft. Alle Rechte reserviert.

Snom sowie die Namen der Snom-Produkte und die Snom-Logos sind gesetzlich geschützte Marken der Snom Technology GmbH.

Produktspezifikationen können ohne Vorankündigung geändert werden. Snom Technology GmbH behält sich jederzeit das Recht auf Überarbeitung und Änderung dieses Dokumentes vor, ohne verpflichtet zu sein, die vorgenommenen Änderungen anzukündigen oder mitzuteilen.

Trotz der angewandten Sorgfalt bei der Zusammenstellung und Präsentation der Informationen in diesem Dokument können sich Daten zwischenzeitlich geändert haben. Daher übernimmt Snom keine Gewähr für die Richtigkeit, Vollständigkeit oder Aktualität der zur Verfügung gestellten Informationen. Jegliche Haftung für Schäden ist ausgeschlossen, sofern diese nicht auf Vorsatz oder grober Fahrlässigkeit auf seiten von Snom beruhen oder sofern keine Haftung aufgrund zwingender gesetzlicher Bestimmungen eintritt.

Wichtige Hinweise

Lesen Sie bitte vor Inbetriebnahme die Sicherheitshinweise und die Bedienungsanleitung. Lassen Sie sie auch von den Mitbenutzern des Gerätes Bewahren Sie dieses Dokument auf und geben Sie das Telefon nur mit ihm an Dritte weiter.

Das Typenschild befindet sich unten oder hinten am Gerät.

Sicherheit

Befolgen Sie die Anweisungen in dieser Bedienungsanleitung und in der sonstigen Dokumentation des Geräts.

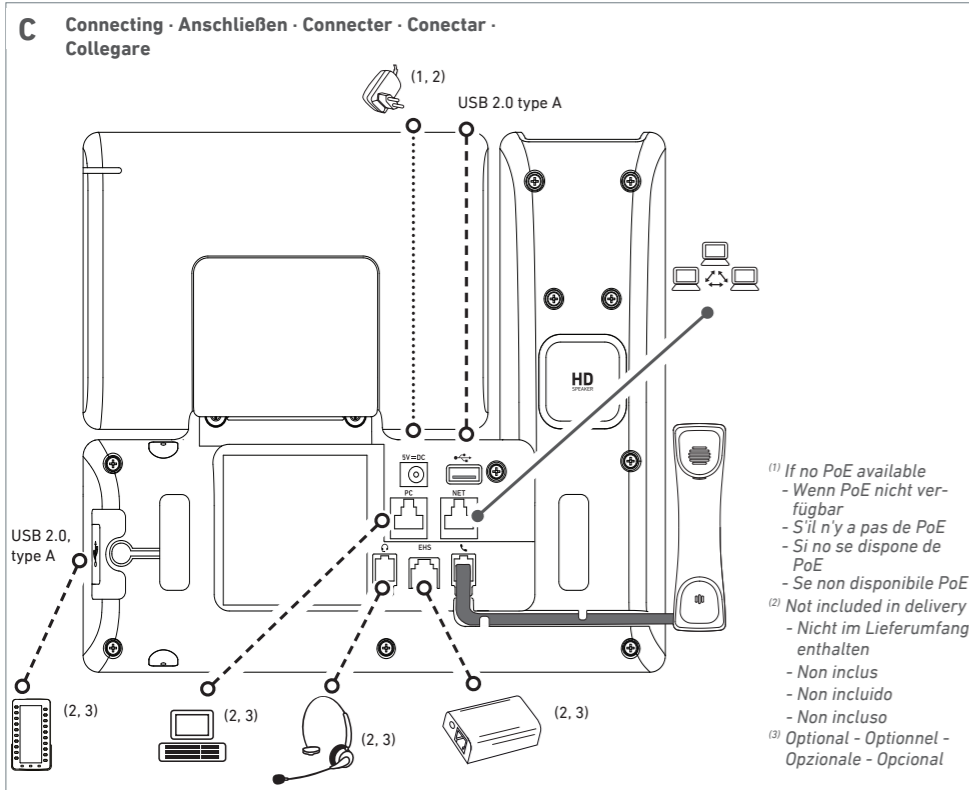
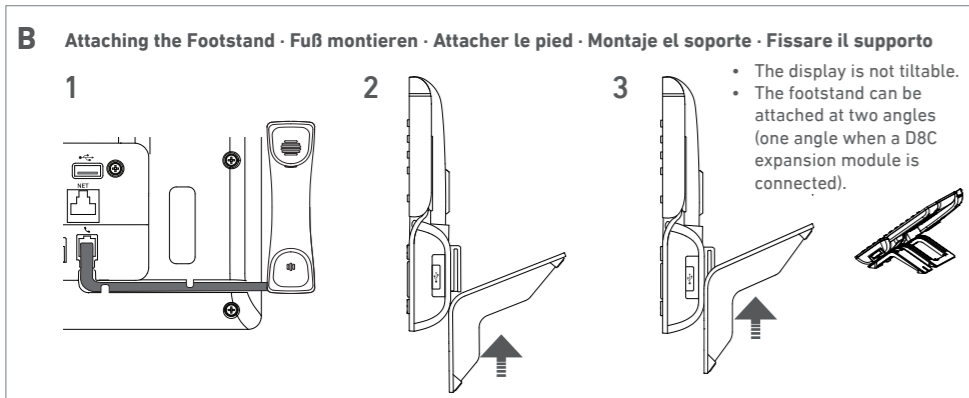
- Dieses Gerät ist für die berufliche Nutzung bestimmt.
- Warnung:** Das in diesem Handbuch enthaltene Produkt (ITE) darf nur an PoE-Netzwerke ohne Routing zur Außenanlage angeschlossen werden. Die Steckdose für das Netzteil muss sich in der Nähe des Geräts befinden und leicht zugänglich sein.
- Montieren Sie das Gerät nur in Höhen von höchstens 2 m.
- Falls die Stromversorgung nicht über ein Ethernetkabel erfolgt, verwenden Sie nur ein von Snom ausdrücklich empfohlenes Netzteil. Die Verwendung anderer Netzteile könnte das Telefon beschädigen oder gar zerstören.
- Verlegen Sie die Netz- und Stromkabel so, dass sie durch mechanischen Druck nicht beschädigt werden und Personen nicht darüber stolpern könnten.
- Dieses Gerät ist nur für den Gebrauch in Innenräumen bestimmt - NICHT FÜR DEN AUSSENBEREICH!
- Stellen Sie das Gerät nicht in Räumen mit hoher Luftfeuchtigkeit wie Badezimmern, Waschküchen, feuchten Kellerräumen auf. Tauchen Sie das Gerät nicht in Wasser und gießen Sie keine Flüssigkeiten auf oder in das Gerät.
- Stellen Sie das Gerät nicht in explosionsgefährdeten Umgebungen (z.B. Lackierereien) auf. Benutzen Sie das Gerät nicht, wenn Sie Gas oder andere möglicherweise explosionsgefährliche Dämpfe riechen.
- Telefonieren Sie nicht während eines Gewitters (Stromschlaggefahr bei Blitzeinschlag ins Netz).
- Warnung:** Der Hörer enthält einen Magneten und kann kleine gefährliche Objekte wie Nadeln anziehen. Bevor Sie ihn ans Ohr halten, vergewissern Sie sich, dass keine Objekte daran haften.
- SELV (Safety Extra Low Voltage) Einhaltung. Die Eingangs-/Ausgangsverbindungen halten die SELV-Richtlinien für Kleinspannungsgeräte ein. **Warnung:** Nur an LAN-Ports anschließen! Um elektrische Schläge zu vermeiden, verbinden Sie keine SELV-Geräte mit Geräten, die Telefon-Netzspannung (TNV) führen. LAN-Ports enthalten SELV-Stromkreise, Festnetz-Anschlüsse dagegen TNV-Stromkreise; beide könnten jedoch Steckverbindungen RJ-45 (8P8C) verwenden.
- Vorsicht:** Um die Einhaltung der Richtlinie für Hochfrequenz-Exposition zu gewährleisten, muss das Telefon so installiert und benutzt werden, dass andere Körperteile des Benutzers als die Hände einen Abstand von mindestens 20 cm zu dem Gerät einhalten.

Normkonformität

Dieses Gerät entspricht der Richtlinie 2014/53/EU und den grundlegenden Gesundheits-, Sicherheits- und Umweltauflagen aller relevanten europäischen Richtlinien. Die Konformitätserklärung können Sie auf <https://www.snom.com/conformity> herunterladen.

Die eigenmächtige Öffnung des Geräts sowie Änderungen und Modifizierungen am Gerät führen zum Erlöschen der Herstellergarantie und können darüberhinaus zum Erlöschen der Zulassungen führen.

(Bitte Blatt umdrehen, weiter auf der Rückseite)



Snom Technology GmbH
Arosier Allee 66
13407 Berlin, Deutschland
office.de@snom.com

Snom Technology GmbH
Via Milano 1
20020 Lainate, Italia
office.it@snom.com

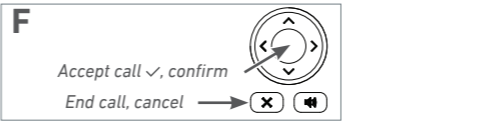
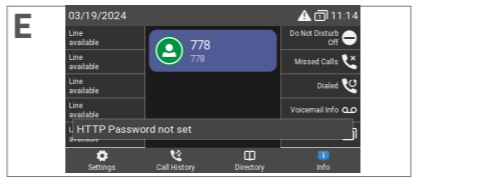
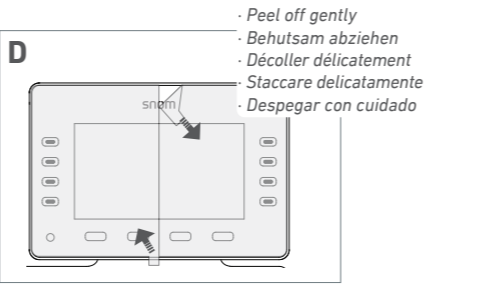
Snom Technology GmbH
130, avenue Joseph Kessel
78960 Voisins-le-Bretonneux, France-
office.fr@snom.com

Snom Technology GmbH
The Courtyard
High Street
Ascot, Berkshire SL5 7HP, UK
office.uk@snom.com

VTech Communications Inc.
Snom Americas
9020 Washington Square Road,
Suite 555
Tigard, OR 97223
Phone support: (339) 227 6160

VTech Technologies Canada Ltd.
Suite 222
13888 Wireless Way
Richmond, B.C. V6V 0A3, Canada
Phone support: (339) 227 6160

Manufacturer:
VTech Telecommunications Ltd.
23/F., Tai Ping Industrial Centre,
Block 1,
57 Ting Kok Road, Tai Po
HONG KONG



Technische Details

- Sicherheit**: IEC 62368-1
- WLAN**: 802.11b/g/n/a/ac
 - Frequenzbänder**: 2412–2472 MHz, 5150–5850 MHz
 - Maximale Sendeleistung**:
 - 2,4G Wi-Fi: 18dBm
 - 5G Wi-Fi B1: 16dBm
 - 5G Wi-Fi B2: 16dBm
 - 5G Wi-Fi B3: 16dBm
 - 5G Wi-Fi B4: 16dBm

- Anschlüsse**:
 - 2 x RJ45 (Ethernet): 1 x LAN, 1 x PC
 - 2 x 4P4C (Hörer, optionales schnurgeb. Headset)
 - 1 x RJ12
 - USB-Port: 2 x Typ A, USB 2.0
 - 1 x koaxialer Stromanschluss
- Ethernet**: 2 x IEEE 802.3 / 1 Gigabit Ethernet-Switch
- Power over Ethernet (PoE)**: IEEE 802.3af, Klasse 3

Wenn PoE nicht verfügbar ist, verwenden Sie das separa erhältlich Netzteil:

 - Mass Power, Modell NBS12E050200UV, Snom Art.-Nr. 00004570 (EU)

Entsorgung

 Dieses Gerät unterliegt der europäischen Richtlinie 2012/19/EU und darf nicht im Hausmüll entsorgt werden. Wenn Sie nicht wissen, wo Sie Ihr Altgerät entsorgen können, wenden Sie sich bitte an Ihre Kommune, Ihren örtlichen Müllentsorger oder Ihren Fachhändler.

Reinigung

Benutzen Sie ein antistatisches Tuch. Benutzen Sie kein Wasser und keine Reinigungsflüssigkeiten, da sie die Oberfläche und die Elektronik des Gerätes beschädigen könnten.

Aufstellen und Anschließen des Telefons: Siehe Abb. B, C und D. Das Display ist nicht neigbar. Der Fuß kann in zwei Winkeln angebracht werden (nur ein Winkel, wenn ein D8C-Erweiterungsmodul angeschlossen ist).

Bitte beachten Sie, dass die Abdeckung des Displays magnetisch gehalten wird, um sie leicht entfernen zu können, falls dies für eine kundenspezifische Anpassung oder einen Austausch erforderlich ist. Wenn die Schutzfolie mit zu viel Kraft entfernt wird, kann sich die Abdeckung vom Display lösen. Setzen Sie sie einfach wieder in die richtige Position.

Initialisierung und Registrierung des Telefons

Beachten Sie bitte: Sie benötigen die von Ihrem Netzwerkadministrator oder Ihrem VoIP-Provider erhaltenen Zugangsdaten für die Registrierung und Nutzung Ihres Accounts (Kontos), normalerweise Telefonnummer, Registrar und Passwort.

Sobald Sie das Telefon an das Netzwerk angeschlossen haben, beginnt es mit der Initialisierung und Registrierung. Die Initialisierung erfolgt normalerweise automatisch über DHCP.

Falls Ihr Netzwerk DHCP nicht unterstützt, können Sie die IP-Adresse, den IP-Gateway und den DNS Server, die Sie ebenfalls von Ihrem Netzwerkadministrator oder VoIP-Provider erhalten, manuell eingeben, wenn Sie auf dem Display dazu aufgefordert werden.

Treffen Sie bei Aufforderung auf dem Display Ihre Auswahl durch Drücken des Aufwärts- oder Abwärtspeils ▲ ▼ auf der Navigationstaste (Abb. F). Speichern Sie Ihre Auswahl durch Drücken der OK-Taste ✓.

- Sprache. Die Voreinstellung ab Werk ist Englisch.
- Zeitzone
- Rufton
- Auf dem nächsten Bildschirm werden Sie aufgefordert, eine beliebige Taste zu drücken, um die Registrierung des Telefons vorzunehmen. Sie können die Registrierung auch über die Weboberfläche des Telefons fortsetzen; die URL der Weboberfläche wird auf dem Begrüßungsbildschirm angezeigt.
- Geben Sie die Account-/Nebenstellenummer ein und bestätigen Sie die Eingabe mit ✓.
- Geben Sie den Registrar ein und bestätigen Sie die Eingabe mit ✓.
- Starten Sie das Telefon neu.
- Geben Sie das Passwort ein, das Sie von Ihrem Internet Provider oder Ihrem Netzwerkadministrator erhalten haben, und drücken Sie auf ✓.

Bei erfolgreicher Registrierung sehen Sie den Ruhebildschirm (Abb. E).

Weitere Information finden Sie auf unserer Webseite **https://service.snom.com**.

FRANÇAIS

Copyright, Marques Déposées, Non Responsabilité

© 2024 Snom Technology GmbH. Tous droits réservés.

Snom, les noms des produits et les logos Snom sont des marques déposées par Snom Technology GmbH.

Toutes les spécifications du produit sont sujet à modifications sans préavis. Snom Technology GmbH se réserve le droit de modifier et de changer ce document à n'importe quel moment, sans devoir annoncer de telles modifications ou changements avant ou après leur mise en place.

Bien que le plus grand soin ait été apporté à la compilation et à la présentation des informations contenues dans ce document, les données sur lesquelles elles sont basées peuvent entre-temps avoir été modifiées. Snom doit donc décliner

toute garantie et toute responsabilité quand à l'exactitude et à l'exhaustivité des informations publiées excepté en cas de négligence flagrante de la part de Snom ainsi que des les cas ou la responsabilité de Snom est engagée de par la loi.

Informations importantes

Veillez lire les informations concernant la sécurité et la mise au rebut de l'appareil ainsi que celles concernant son installation et son utilisation avant d'utiliser l'appareil. Gardez ce manuel et ne cédez pas l'appareil à une tierce partie sans le manuel.

La plaque signalétique est située en bas ou à l'arrière du produit.

Sécurité

Suivez les instructions présentes dans ce manuel et dans les autres documents concernant l'appareil.

- Cet appareil est destiné à une utilisation professionnelle.
- Avertissement : Le produit inclus (ITE) dans ce manuel doit être connecté uniquement aux réseaux PoE sans routage vers l'installation extérieure.
- La boîte de sortie pour le bloc d'alimentation doit être à proximité de l'équipement et facilement accessible.
- Montez l'appareil uniquement à des hauteurs ne dépassant pas 2m.
- Évitez de placer les câbles de l'appareil dans un endroit où il est possible de trébucher dessus. Évitez également de les placer là où ils pourraient être exposé à un écrasement car ils pourraient en être endommagé. Si les câbles ou la fiche sont endommagés, débranchez l'appareil et contactez du personnel d'entretien qualifié.
- Cet appareil est destiné à une utilisation en intérieur uniquement! Ne l'installez pas au dehors!
- N'installez pas l'appareil dans des pièces très humides (par exemple, dans une salle de bain ou un sous-sol humide). N'immergez pas l'appareil dans l'eau et ne versez pas de liquides d'aucune sorte sur ou dans l'appareil.
- N'installez pas l'appareil dans un lieu présentant un risque d'explosion (un magasin de peinture par exemple). N'utilisez pas l'appareil si vous sentez une odeur de gaz ou d'autres émanations potentiellement explosives.
- N'utilisez pas l'appareil durant les orages, le choc d'un éclair sur les circuits électriques peut provoquer une électrocution.
- Avertissement**: Le combiné contient un aimant, et son écouteur pourrait attirer de petits objets dangereux tels que des aiguilles ou des épingles. Assurez-vous avant chaque utilisation que de tels objets ne sont présents
- Conforme à SELV (Safety Extra Low Voltage) - TBTS (Très Basse Tension de Sécurité). Le niveau de sécurité des connexions d'entré/sortie est conforme aux recommandations SELV/TBTS. **Avertissement**: Pour éviter les électrocutions, ne connectez pas les circuits de SELV / TBTS aux circuits sous tension du réseau téléphonique (TNV). Ne connectez le câble NET/Ethernet qu'à un port LAN!
- Attention : Afin de maintenir la conformité avec la directive sur l'exposition aux radiofréquences, le téléphone doit être installé et utilisé de manière à ce que les parties du corps de l'utilisateur autres que les mains gardent une distance d'au moins 20 cm par rapport à l'appareil.

Conformité aux standards

CE Cet appareil est marqué CE et conforme à la Directive 2014/53/EU et aux standards de sécurité, de santé et environnementaux de tous les directives européennes applicables. La déclaration de conformité peut être téléchargée de https://www.snom.com/conformity.

Industrie Canada

Le présent appareil est conforme aux CNR d'Industrie Canada applicables aux appareils radio exempts de licence.

IC ID: 11358-80S11000

Cet appareil numérique de la classe A est conforme à la norme NMB-003(A) du Canada.

L'émetteur/récepteur exempt de licence contenu dans le présent appareil est conforme aux CNR d'Innovation, Sciences et Développement économique Canada applicables aux appareils radio exempts de licence. L'exploitation est autorisée aux deux conditions suivantes :

- L'appareil ne doit pas produire de brouillage;
- L'appareil doit accepter tout brouillage radioélectrique subi, même si le brouillage est susceptible d'en compromettre le fonctionnement.

La confidentialité de vos conversations n'est pas garantie avec cet appareil.

Le terme « IC » avant le numéro d'homologation ne signifie seulement que les normes d'Industrie Canada ont été respectées. Le présent produit est conforme aux spécifications techniques applicables d'Innovation, Sciences et Développement économique Canada.

Exposition aux Radiofréquences Électromagnétiques

Cet appareil est conforme à la norme CNR-102 d'Industrie Canada en ce qui concerne le Code de Sécurité 6 de Santé Canada sur l'exposition humaine aux champs de radiofréquences électromagnétiques.

Attention : Afin de maintenir la conformité avec la directive sur l'exposition aux radiofréquences, le téléphone doit être installé et utilisé de manière à ce que les parties du corps de l'utilisateur autres que les mains gardent une distance d'au moins 20 cm par rapport à l'appareil.

L'ouverture et la modification de l'appareil sans autorisation annule la garantie et peut également annuler la conformité CE et la certification IC. En cas de mauvais fonctionnement, veuillez contacter le personnel d'entretien agréé, votre revendeur ou bien Snom.

Caractéristiques techniques

- Sécurité**: IEC 62368-1
- Réseau local (LAN) sans fil (WLAN, WiFi)**: 802.11b/g/n/a/ac
 - Bande de fréquence radio (RF)**:
 - EMA: 2412–2472 MHz, 5150–5850 MHz
 - US: 2412–2462 MHz, 5150–5850 MHz
 - Puissance de transmission maximale**:
 - 2,4G Wi-Fi: 18dBm (U.S. & EMEA)
 - 5G Wi-Fi B1: 16dBm (U.S. & EMEA)
 - 5G Wi-Fi B2: 16dBm (U.S. & EMEA)
 - 5G Wi-Fi B3: 16dBm (U.S. & EMEA)
 - 5G Wi-Fi B4: 16dBm (U.S. & EMEA)

- Connecteurs**:
 - 2 x RJ45 (Ethernet): 1 x LAN, 1 x PC
 - 2 x 4P4C (combiné, casque filaire (pas inclus))
 - 1 x RJ12
 - USB:2 x type A, USB 2.0
 - 1 x connecteur d'alimentation coaxial
- Ethernet**: 2 x IEEE 802.3 / 1 Gigabit Ethernet switch
- Power over Ethernet (PoE)**: IEEE 802.3af, Classe 3

S'il n'ya pas de PoE, utilisez un bloc d'alimentation (pas inclu dans la boîte, vendu séparément):

 - Mass Power, modèle NBS12E050200UV, no art. Snom 00004570 (livré avec clips EU/UK en EU/UK, avec clip U.S. en U.S. et Canada)

Mise au rebut

 Cet appareil est soumis à la Directive 2012/19/CE et ne peut être mis au rebut avec les déchets ménagers normaux.

 Si vous ne savez pas ou mettre au rebut où faire recycler l'appareil lorsqu'il arrive au terme de son existence, contactez votre municipalité, la société locale en charge de la gestion des déchets ou votre vendeur.

Nettoyage

Utilisez un tissu antistatique. N'utilisez pas de l'eau ou un produit de nettoyage liquide ou solide. Ils peuvent endommager l'électronique ou les surfaces de l'appareil.

Installer et connecter le telephone

Voir les figure B, C et D au verso. L'écran n'est pas inclinable. Le pied peut être fixé sous deux angles (un angle lorsqu'un module d'extension D8C est connecté).

Veillez noter que le couvercle de l'écran est maintenu en place magnétiquement pour un retrait facile, si nécessaire pour une personnalisation ou un remplacement. Si le film protecteur qui le recouvre est retiré avec trop de force, le couvercle peut se détacher de l'écran. Remettez-le simplement à sa place.

Initialisation et enregistrement

Renseignement: Vous devez également disposer des données pour la registration et l'utilisation de votre compte que vous avez reçu de votre administrateur réseau ou de votre fournisseur de VoIP, normalement le numéro de téléphone, le mot de passe et le registraire.

Une fois que l'appareil est connecté au réseau, il commence à s'initialiser et se registrar. L'initialisation est normalement fait automatiquement via DHCP.

Si votre réseau ne supporte pas le protocole DHCP, vous devez également saisir l'adresse IP, la passerelle IP et le serveur DNS manuellement. Demandez-les de votre administrateur réseau ou de votre fournisseur de VoIP et suivez les instruction qui s'affichent à l'ecran.

Après l'initialisation, le téléphone va vous conduire à travers les paramètres de base. Sélectionnez une option avec ▲ ou ▼ sur la touche de navigation (fig. F) et appuyez sur la touche OK ✓ pour sauvegarder votre sélection.

- Langue. Le paramètre par défaut est l'Anglais.
- Fuseau horaire
- Tonalité
- Vous voyez l'écran „Bienvenue“. Appuyez sur une touche alphanumérique quelconque pour vous logger. Vous pouvez également utiliser l'interface Web du téléphone pour poursuivre l'inscription; l'url de l'interface Web est affichée sur l'écran d'accueil.
- Saisissez votre numéro de poste ou votre compte et appuyez sur ✓.
- Saisissez votre registraire et appuyez sur ✓.
- Redémarrez le téléphone.
- Saisissez le mot de passe que vous avez reçu de votre fournisseur de VoIP ou votre administrateur et appuyez sur ✓.

Si l'enregistrement a réussi l'écran d'attente s'affiche (Fig. E).

Pour plus des informations consultez notre site web **https://service.snom.com**.

ITALIANO

Copyright, Marchi registrati, Declinazione di responsabilita

© 2024 Snom Technology Aktiengesellschaft. Tutti i diritti riservati.

Snom, i nomi dei prodotti snom, ed i loghi Snom sono marchi registrati di proprietà di Snom Technology GmbH.

Snom Technology GmbH si riserva il diritto di rivedere e modificare il presente documento in qualsiasi momento senza alcun obbligo di notifica precedente o posteriore a tali cambiamenti.

Sebbene sia stata prestata la massima attenzione nella stesura e presentazione delle informazioni in questo documento, i dati su cui si basa potrebbero già aver subito varia-

zioni. Snom pertanto declina ogni responsabilità riguardo a tutte le garanzie di affidabilità, accuratezza, completezza ed attualità delle informazioni pubblicate, tranne nel caso di grossolana negligenza da parte di Snom o laddove per legge possa essere ritenuta responsabile.

Informazioni importanti

Pregasi leggere con attenzione le istruzioni inerenti la sicurezza, lo smaltimento e l'installazione del dispositivo prima del suo impiego. È altresì necessario conservare questo manuale, consegnandolo insieme al dispositivo qualora esso venga dato a terzi.

La targhetta si trova nella parte inferiore o posteriore del prodotto.

Sicurezza

Seguite le istruzioni in questo manuale e tutta la documentazione relativa al dispositivo.

- Questo dispositivo è destinato all'uso professionale.
- Avvertenza: Il prodotto incluso (ITE) in questo manuale è da collegare solo a reti PoE senza instradamento verso l'impianto esterno.
- La presa di corrente per l'alimentatore deve essere vicina all'apparecchiatura e facilmente accessibile.
- Montare il dispositivo solo ad altezze non superiori a 2 m.
- Non posizionare i cavi del telefono dove può essere calpestato. Non posizionare i cavi del telefono dove può essere soggetto a pressione meccanica perché potrebbe danneggiare i cavi. Se i cavi o la spina si danneggiano, scollegare il telefono e contattare il personale di assistenza qualificato.
- Il dispositivo si può impiegare solo al chiuso! Non installare all'aperto!
- Non installare il dispositivo in ambienti con alta umidità (ad es., in bagno, lavanderia, seminterrati umidi). Non immergere il dispositivo in acqua e non versarvi liquidi sopra.
- Non installare il dispositivo nei pressi di locali a rischio esplosione (colorifici, ad es.). Non utilizzare il dispositivo se sentite odore di gas o di altra esalazione potenzialmente esplosiva.
- Non utilizzare il dispositivo durante i temporali. Qualora un fulmine colpisca la rete elettrica, è possibile di scossa.
- Attenzione**: La cornetta contiene un magnete che potrebbe attirare oggetti pericolosi tra cui eventualmente chiodi. Prima di portarla all'orecchio assicuratevi che nessun oggetto vi sia attaccato.
- Conforme al circuito SELV (bassissima tensione di sicurezza). Il livello di sicurezza dei circuiti in ingresso / uscite è conforme alle raccomandazioni SELV. **Attenzione**: Per evitare scosse elettriche non collegare i circuiti SELV a quelli della rete telefonica (TNV). Le porte LAN hanno circuiti SELV, le porte PSTN hanno circuiti TNV.
- Attenzione**: Per mantenere la conformità alla linea guida per l'esposizione alle radiofrequenze, il telefono deve essere installato e utilizzato in modo che parti del corpo dell'utente diverse dalle mani mantengano una distanza di almeno 20 cm dal dispositivo.

Conformità

CE Il dispositivo è dotato di marcatura CE e risponde alla Direttiva 2014/53/EU e agli standard europei di salute, sicurezza ed ambientali. La dichiarazione di conformità può essere scaricata all'indirizzo https://www.snom.com/conformity.

Eventuali modifiche, cambiamenti e l'apertura non autorizzata del dispositivo invalidano la garanzia e potrebbero annullare la marcatura CE. In caso di malfunzionamenti, contattare il servizio di assistenza autorizzato, il rivenditore oppure Snom.

Dati tecnici

- Sicurezza**: IEC 62368-1
- Rete locale (LAN) senza fili (WLAN, WiFi)**: 802.11b/g/n/a/ac
 - Banda di radiofrequenza (RF)**: 2412–2472 MHz, 5150–5850 MHz
 - Potenza di trasmissione massima**:
 - 2,4G Wi-Fi: 18dBm
 - 5G Wi-Fi B1: 16dBm
 - 5G Wi-Fi B2: 16dBm
 - 5G Wi-Fi B3: 16dBm
 - 5G Wi-Fi B4: 16dBm

- Connettore**:
 - 2 x RJ45 (Ethernet): 1 x LAN, 1 x PC
 - 2 x 4P4C (cornetta, cuffie con filo (non incluso))
 - 1 x RJ12
 - USB: 2 x tipo A, USB 2.0
 - 1 x connettore di alimentazione coassiale
- Ethernet**: 2 x IEEE 802.3 / 1 Gigabit Ethernet switch
- Power over Ethernet (PoE)**: IEEE 802.3af, Classe 3

Se PoE non è disponibile, utilizzare un alimentatore (non incluso, venduti separatamente):

- Mass Power, modello NBS12E050200UV, art. n. Snom 00004570 (EU)

Smaltimento

 Questo dispositivo è soggetto alla Direttiva Europea 2012/19/EC e non può essere smaltito con i rifiuti domestici. Se non sapete come smaltire l'apparecchio una volta inutilizzabile, contattate il comune, la nettezza urbana locale, o il vostro rivenditore.

Pulizia

Utilizzare un panno antistatico. Evitare acqua e altri liquidi o detersigenti solidi che potrebbero danneggiare la superficie o l'elettronica interna.

Installare e collegare il telefono

Vedi fig. B, C e D. Il display non è inclinabile. Il supporto

può essere fissato con due angolazioni (un angolo quando è collegato un modulo di espansione D8C).

Si prega di notare che la copertura dello schermo è fissata magneticamente per garantirne una facile rimozione, in caso di personalizzazione o sostituzione. Se la pellicola protettiva che la ricopre viene rimossa con troppa forza, la copertura potrebbe staccarsi dallo schermo. Riattaccala semplicemente nella sua posizione corretta.

Inizializzazione e registrazione

Nota: Sono necessarie le informazioni di registrazione ricevute dal provider o amministratore del sistema – generalmente il numero di telefono o numero interno, la password e il Registrar.

Una volta impostato il telefono e averlo collegato alla rete, il telefono avvia la procedura di inizializzazione. Di norma la procedura di inizializzazione si svolge in maniera completamente automatica, mediante protocollo DHCP.

Se la rete non supporta il protocollo DHCP, è necessario ottenere indirizzo IP, maschera di rete, gateway IP e server DNS dal fornitore di servizi internet o amministratore di rete, quindi inserirli manualmente quando viene richiesto sullo schermo.

Selezionare un'opzione: Premere il tasto navigazione con ▲ o ▼. Salvare ogni selezione: Premere il tasto OK ✓ (fig. F).

- Lingua. L'impostazione predefinite l'inglese.
- Fuso orario
- Segnale di linea libera
- Schermo „Benvenuto“: Premere un tasto qualsiasi per continuare la registrazione. Puoi anche utilizzare l'interfaccia web del telefono per continuare la registrazione; l'URL dell'interfaccia web viene mostrato nella schermata di benvenuto.
- Digitare il tuo numero di conto/telefono + premere ✓.
- Inserire i dati del Registrar e premere ✓.
- Riavviare il telefono.
- Digitare la password.

Se la registrazione è riuscita, il display visualizza la schermata inattivo (fig. E)..

Per ulteriori informazioni consultare nostra pagina web **https://service.snom.com**.

ESPAÑOL

Propriedad intelectual, marcas registradas, exención de responsabilidad

© 2024 Snom Technology Aktiengesellschaft: Todos los derechos reservados.

Snom, los nombres de los productos snom, y los logos de Snom son marcas comerciales propiedad de Snom Technology GmbH.

Snom Technology GmbH se reserva el derecho de revisar y modificar este documento en cualquier momento, sin obligación de notificar estas revisiones o modificaciones por adelantado o con posterioridad a su realización.

Aunque se han tomado todas las precauciones posibles en la compilación y presentación de la información de este documento, los datos en los que se basa pueden haber cambiado con el tiempo. snom, por lo tanto, renuncia a cualquier garantía y responsabilidad respecto a la precisión, exhaustividad y vigencia actual de la información publicada, excepto en el caso de intencionalidad o negligencia grave por parte de Snom cuando se deriven responsabilidades de acuerdo con las disposiciones legales vinculantes.

Información importante

Lea las instrucciones sobre seguridad telefónica y reciclaje del teléfono, y sobre cómo configurar y utilizar el teléfono antes de usarlo. Conserve este manual y no entregue el teléfono a terceros sin el mismo.

La placa de identificación se encuentra en la parte inferior o posterior del producto.

Inicialización y registro del teléfono

Favor tener en cuenta: Necesitará la información de registro que le haya proporcionado su proveedor de internet o su administrador de red, normalmente el número de teléfono, la extensión, la contraseña y el registro.

Cuando haya instalado el teléfono y lo haya conectado a la red, el teléfono empezará a inicializar. Normalmente la inicialización es totalmente automática y se realiza a través del protocolo DHCP.

Si su red no admite DHCP, debe obtener la dirección IP, la máscara de red, el IP de la puerta de enlace y el servidor DNS de su proveedor de internet o su administrador de red e introducirlos manualmente cuando se le solicite en la pantalla.

Cuando se le indique, pulse la flecha tecla ▲ o ▼ en el tecla de navegación para seleccionar una opción. Pulse la tecla con y guarde los cambios con ✓ (fig. F)para guardar la selección.

- Idioma. El idioma estandar de fábrica es inglés.
- Huso horario
- Tono de marcado
- La pantalla mostrará: "Bienvenida". Pulse cualquier tecla para registrar. También puede utilizar la interfaz web del teléfono para continuar con el registro; La URL de la interfaz web se muestra en la pantalla de bienvenida.
- Introduzca la cuenta/el número de teléfono y pulse ✓.
- Introduzca el registro (Registrar) y pulse ✓.
- Reinicia el teléfono.
- Introduzca la contraseña y pulse ✓. Una vez registrado, se ve la pantalla inactiva (Fig. E)..

Para más información, consulte en nuestra página web **https://service.snom.com**.

- Cumplimiento de los requisito SELV (Tensión Extra-Baja de Seguridad). Las condiciones de seguridad de las conexiones de entrada/salida cumplen con los requisitos SELV. **Atención**: Para evitar descargas eléctricas, no conecte circuitos de tensión extra baja (SELV) a circuitos de tensión de red telefónica (TNV). Los puertos LAN contienen circuitos SELV, los puertos PSTN contienen circuitos TNV. Algunos puertos LAN y PSTN utilizan conectores RJ-45 (8P8C).
- Precución**: Para mantener el cumplimiento de las directrices de exposición a radiofrecuencias, el teléfono deberá instalarse y utilizarse de manera que las partes del cuerpo del usuario que no sean las manos guarden una distancia mínima de 20 cm con el dispositivo.

Cumplimiento con la normativa

CE Este dispositivo tiene el marcado CE y cumple con la Directiva 2014/53/EU y los estándares de salud, seguridad y medioambientales europeos.

La declaración de conformidad se puede descargar en https://www.snom.com/conformity.

Todas las modificaciones, los cambios y la apertura no autorizada del dispositivo provocarán la cancelación de la garantía, y también pueden causar la pérdida del marcado CE.

Datos técnicos

- Seguridad**: IEC 62368-1
- Red local (LAN) inalámbtrica (WLAN, WiFi)**: 802.11b/g/n/a/ac
 - Banda de radiofrecuencia (RF)**:
 - EMA: 2412–2472 MHz, 5150–5850 MHz
 - US: 2412–2462 MHz, 5150–5850 MHz
 - Potencia máxima de transmisión**:
 - 2,4G Wi-Fi: 18dBm (U.S. & EMEA)
 - 5G Wi-Fi B1: 16dBm (U.S. & EMEA)
 - 5G Wi-Fi B2: 16dBm (U.S. & EMEA)
 - 5G Wi-Fi B3: 16dBm (U.S. & EMEA)
 - 5G Wi-Fi B4: 16dBm (U.S. & EMEA)

- Conectores**:
 - 2 x RJ45 (Ethernet): 1 x LAN, 1 x PC
 - 2 x 4P4C (terminal, auricular con cable (no incluido))
 - 1 x RJ12
 - USB: 2 x tipo A, USB 2.0
 - 1 x conector de alimentación coaxial
- Ethernet**: 2 x IEEE 802.3 / 1 Gigabit Ethernet switch
- Power over Ethernet (PoE)**: IEEE 802.3af, Clase 3
- Si PoE no está disponible**, use una fuente de alimentación (no incluido en la caja, disponible fpor separado):
 - Mass Power, modelo NBS12E050200UV, artículo n.º Snom 00004570

Limpieza

Use un paño antiestática. No utilice agua ni productos de limpieza, ya que podrían dañar la superficie o los componentes electrónicos del aparato.

Eliminación

 Este teléfono está sujeto a la Directriz Europea 2012/19/EC, y no puede ser eliminado con los residuos domésticos generales. Si no sabe dónde puede desechar el dispositivo al final de su vida útil, contacte con su municipio, su proveedor de gestión de residuos local, o su vendedor.

Instalación y conexión del teléfono