

Model: VH6210 BS ANT0

Antenna description:

This Sleeve Dipole Antenna is optimized and used in the Base unit. This antenna is directly soldered to the ANT0 RF output in the main PCB.

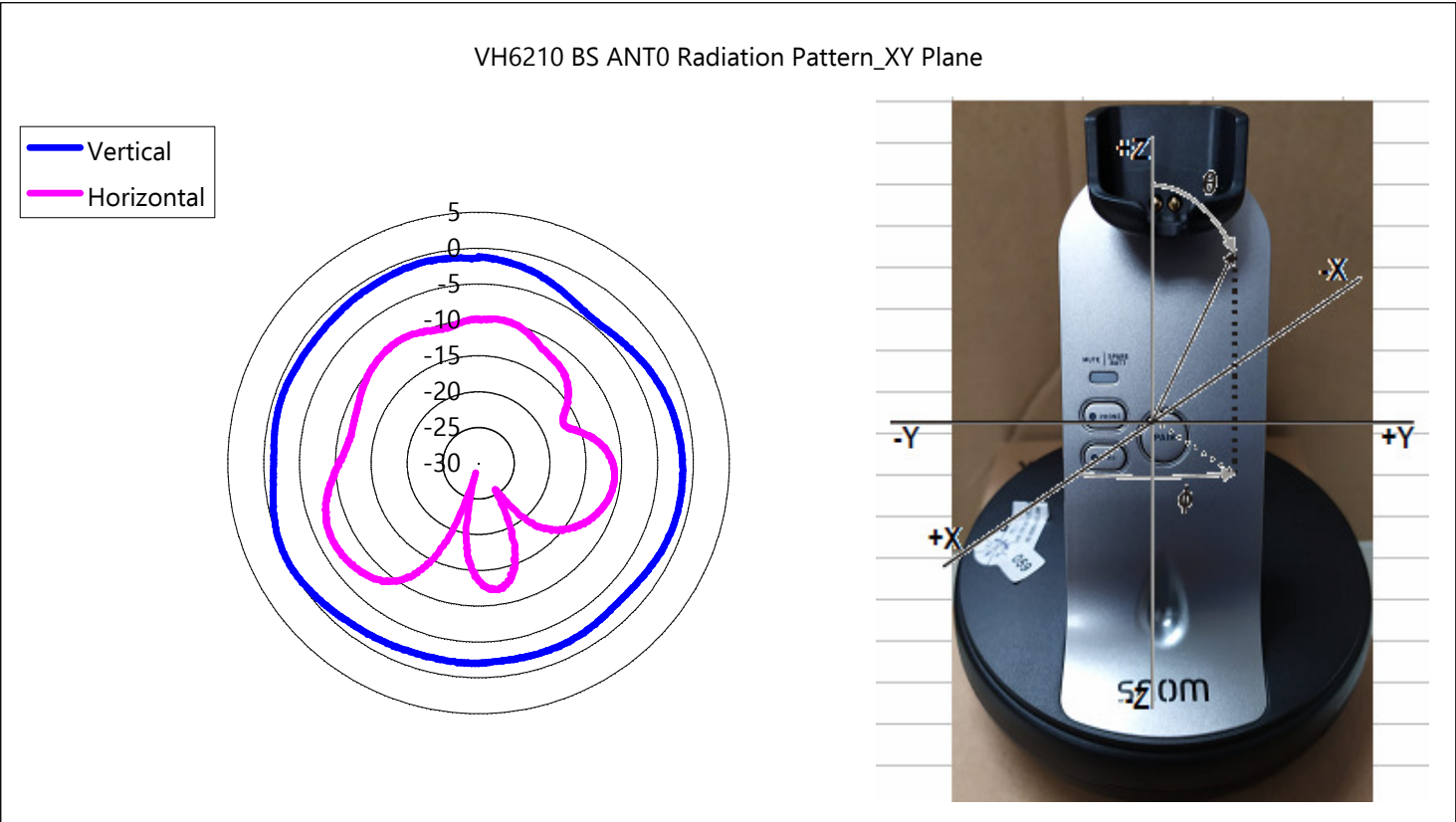
Model Number	Description
VH6210 BS ANT0	1.9GHZ Sleeve Dipole Antenna

Specification:

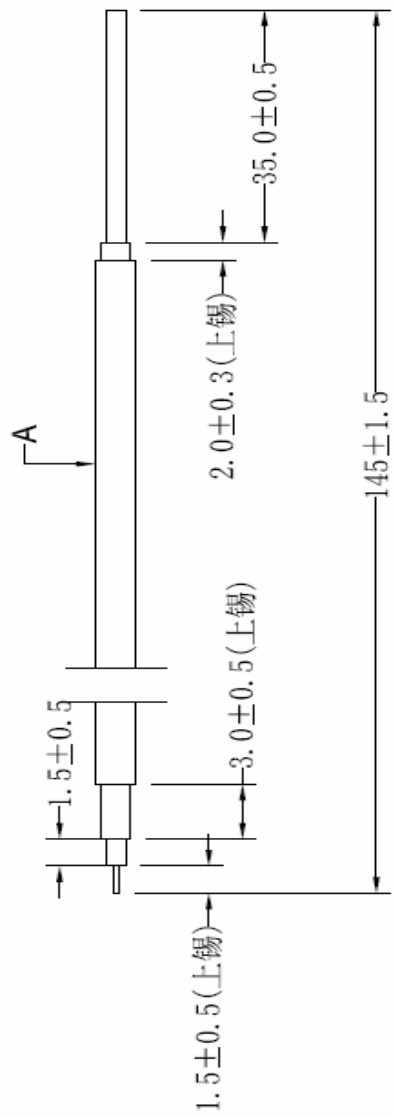
Operation Frequency Range	1921.536 to 1928.448 MHZ
Maximum Gain	0 dBi
Type	Sleeve Dipole Antenna
Operation bandwidth	70MHz
Nominal Impedance	~50 ohms
Manufacturer	Vtech Telecommunications Ltd
Manufacturer address	23/F, Tai Ping Industrial Centre, Blk1, 57 Ting Kok Road, Tai Po, Hong Kong
Model number	ANT-VH6210-F-DE-0

Frequency: 1924.992 MHz (the frequency with maximum gain)

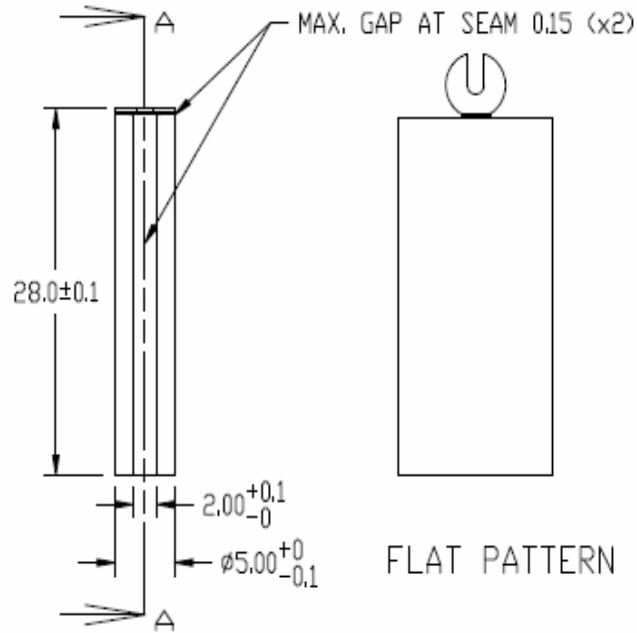
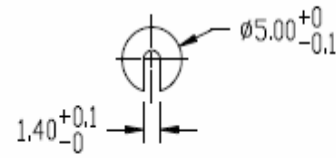
	Vertical	Horizontal
Antenna Gain (dBi)	0.00	-6.91



VH6210 BS ANT0 Dimensions in mm



SECTION A-A



Model: VH6210 BS ANT1

Antenna description:

This monopole antenna is optimized and used in the Base unit. This antenna is directly soldered to the ANT1 RF output in the main PCB.

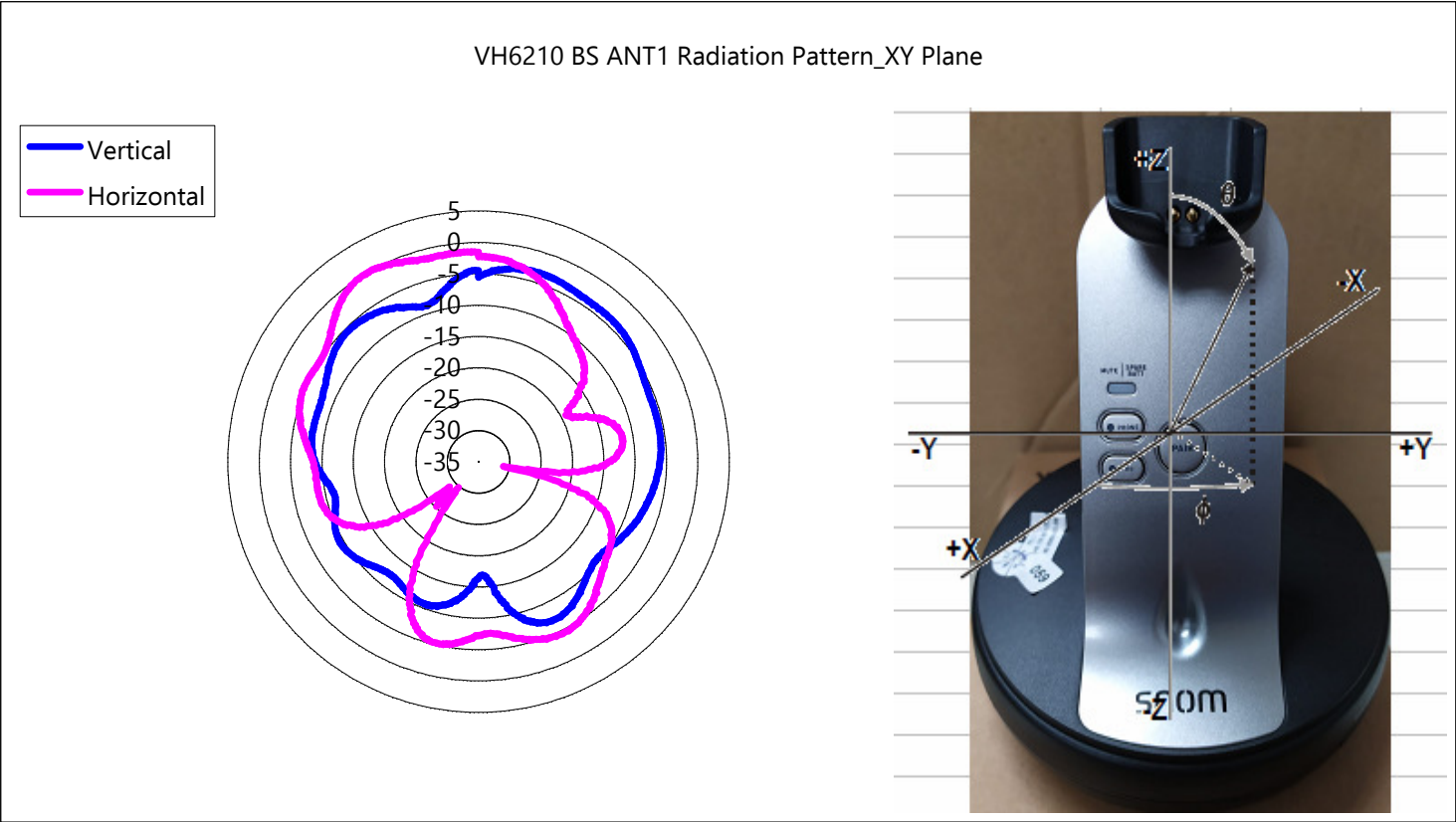
Model Number	Description
VH6210 BS ANT1	1.9GHZ Monopole Antenna

Specification:

Operation Frequency Range	1921.536 to 1928.448 MHZ
Maximum Gain	0 dBi
Type	Monopole Antenna
Operation bandwidth	70MHz
Nominal Impedance	~50 ohms
Manufacturer	Vtech Telecommunications Ltd
Manufacturer address	23/F, Tai Ping Industrial Centre, Blk1, 57 Ting Kok Road, Tai Po, Hong Kong
Model number	ANT-VH6210-F-DE-1

Frequency: 1924.992 MHz (the frequency with maximum gain)

	Vertical	Horizontal
Antenna Gain (dBi)	-3.30	0.00



VH6210 BS ANT1 Dimensions in mm:

