

Model: PMX-S5410-HID Base Antenna 0

Antenna description:

This wire Monopole antenna is optimized and used in the Base unit. This antenna is directly soldered to the ANT RF output in the main PCB.

Model Number	Description
PMX-S5410-HID BS ANT0	1.9GHz Monopole

Specification:

Operation Frequency Range	1921.536 to 1928.448 MHz
Maximum Gain	1 dBi
Type	Monopole
Operation bandwidth	70MHz
Nominal Impedance	~50 ohms
Manufacturer	Vtech Telecommunications Ltd
Manufacturer address	23/F, Tai Ping Industrial Centre, Blk1, 57 Ting Kok Road, Tai Po, Hong Kong
Model number	ANT-PMX-S5410-HID-F-DE-0

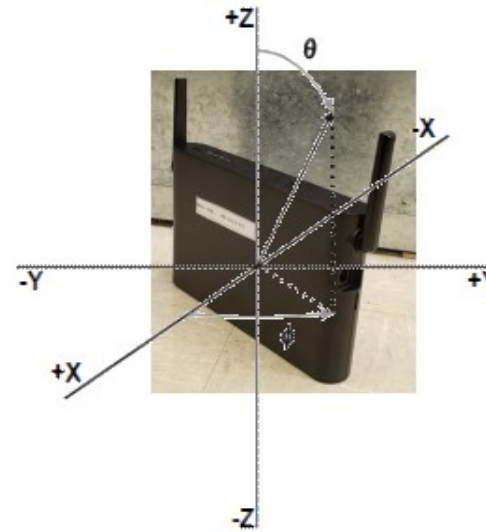
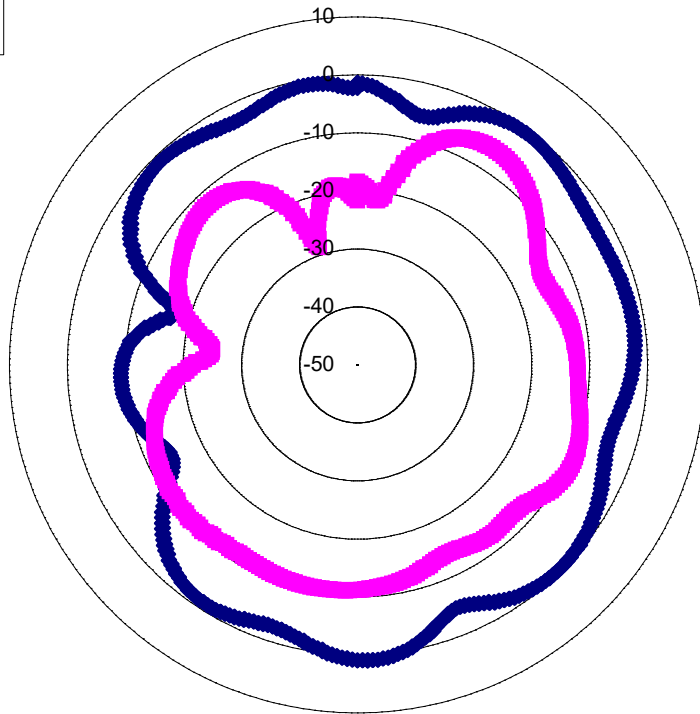
*NOTE: Frequency and Orientation with maximum Antenna Gain.

Frequency: 1924.992 MHz

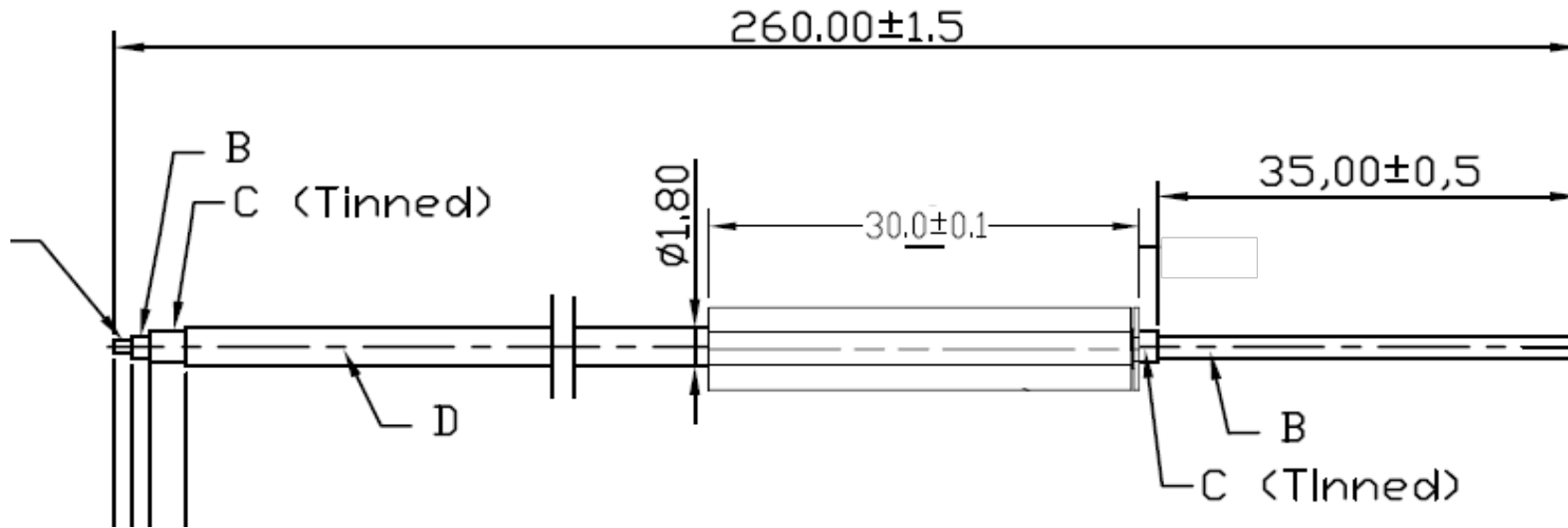
	Vertical	Horizontal
Antenna Gain (dBi)	1.00	-5.96

PMX-S5410-HID BS ANT0 Radiation Pattern_XY Plane

◆ Vertical
■ Horizontal



PMX-S5410-HID BS ANT0 Antenna Dimensions in mm



Model: PMX-S5410-HID Base Antenna 1

Antenna description:

This wire Monopole antenna is optimized and used in the Base unit. This antenna is directly soldered to the ANT_1 RF output in the main PCB.

Model Number	Description
PMX-S5410-HID BS ANT_1	1.9GHz Monopole

Specification:

Operation Frequency Range	1921.536 to 1928.448 MHz
Maximum Gain	1 dBi
Type	Monopole
Operation bandwidth	70MHz
Nominal Impedance	~50 ohms
Manufacturer	Vtech Telecommunications Ltd
Manufacturer address	23/F, Tai Ping Industrial Centre, Blk1, 57 Ting Kok Road, Tai Po, Hong Kong
Model number	ANT-PMX-S5410-HID-F-DE-1

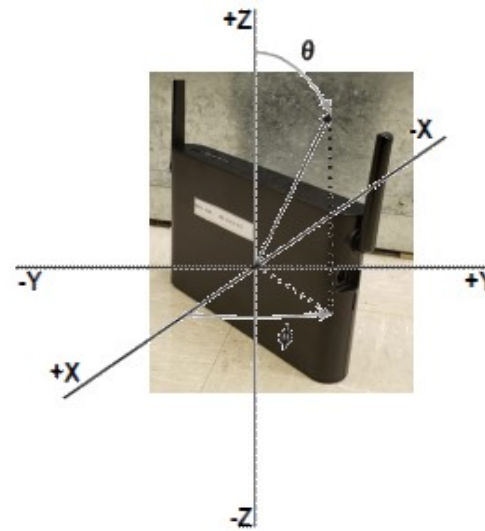
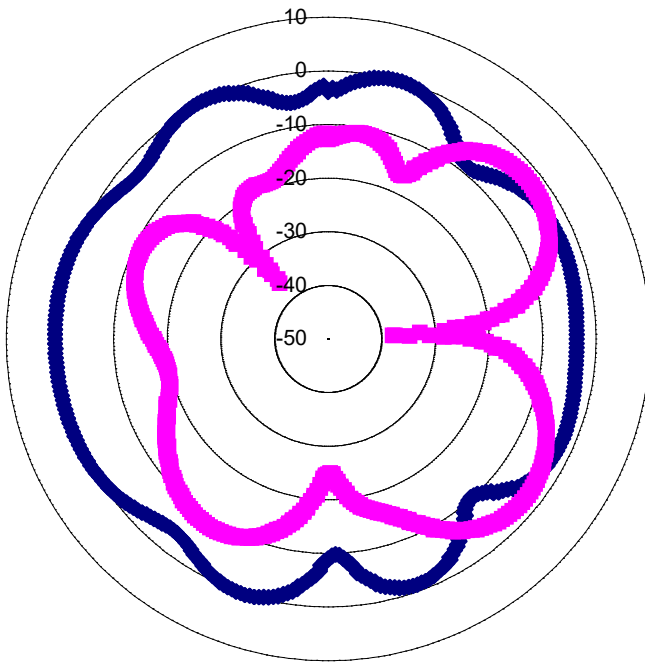
*NOTE: Frequency and Orientation with maximum Antenna Gain.

Frequency: 1924.992 MHz

	Vertical	Horizontal
Antenna Gain (dBi)	1.00	-2.40

PMX-S5410-HID BS ANT1 Radiation Pattern_XY Plane

◆ Vertical
■ Horizontal



PMX-S5410-HID BS ANT1 Antenna Dimensions in mm

