

[NG-S3411W]

[2.4GHz wire Antenna]

Model: NG-S3411W

Device: SiP phone

Coordination:



Antenna description:

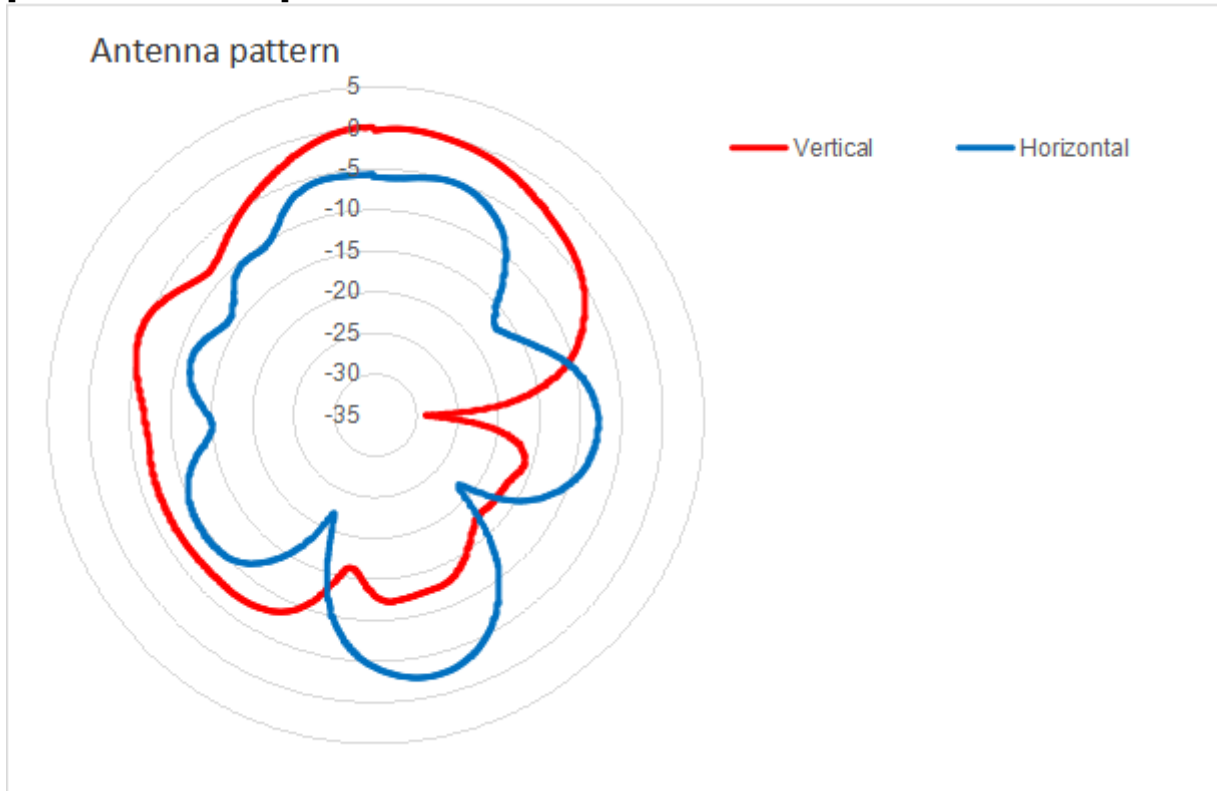
This wire antenna is designed for SiP phone application

Antenna pattern (2440MHz)

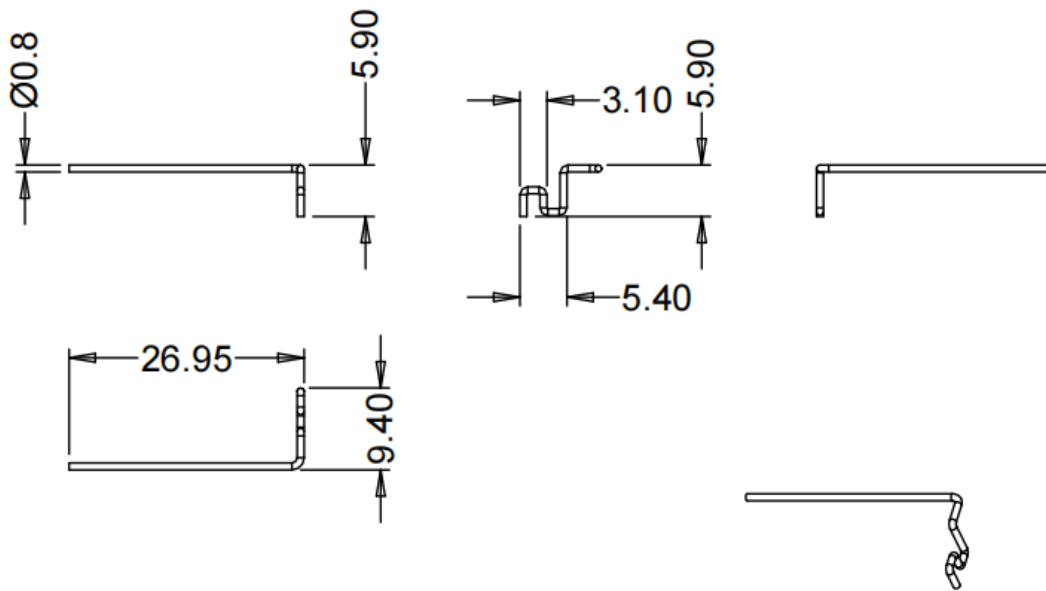
Max antenna gain is 2 dBi

[NG-S3411W]

[2.4GHz wire Antenna]



The antenna dimensions



[NG-S3411W]

[5GHz PCB Antenna]

Model: NG-S3411W

Device: SiP phone

Coordination:



Antenna description:

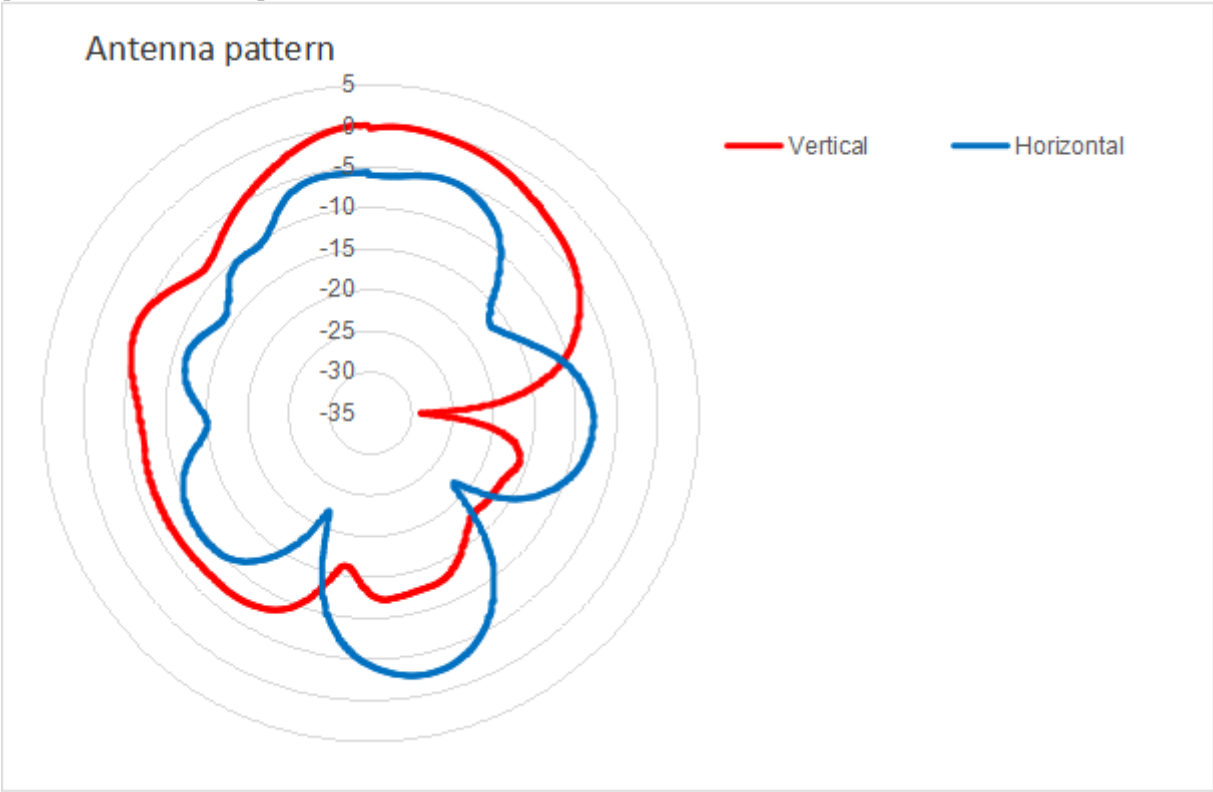
This PCB antenna is designed for SiP phone application

Antenna pattern (5.18GHz)

Max antenna gain is 0.34 dBi

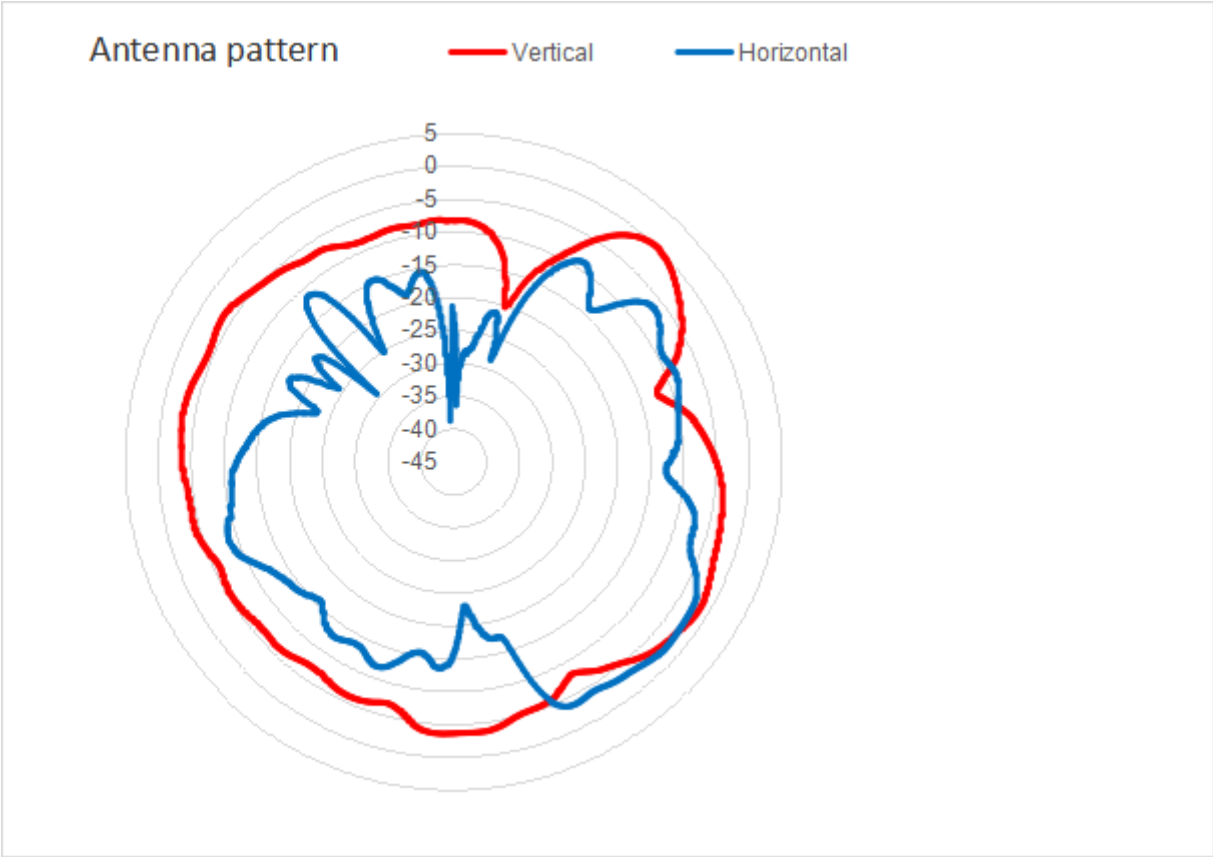
[NG-S3411W]

[5GHz PCB Antenna]



Antenna pattern (5.5GHz)

Max antenna gain is 2 dBi

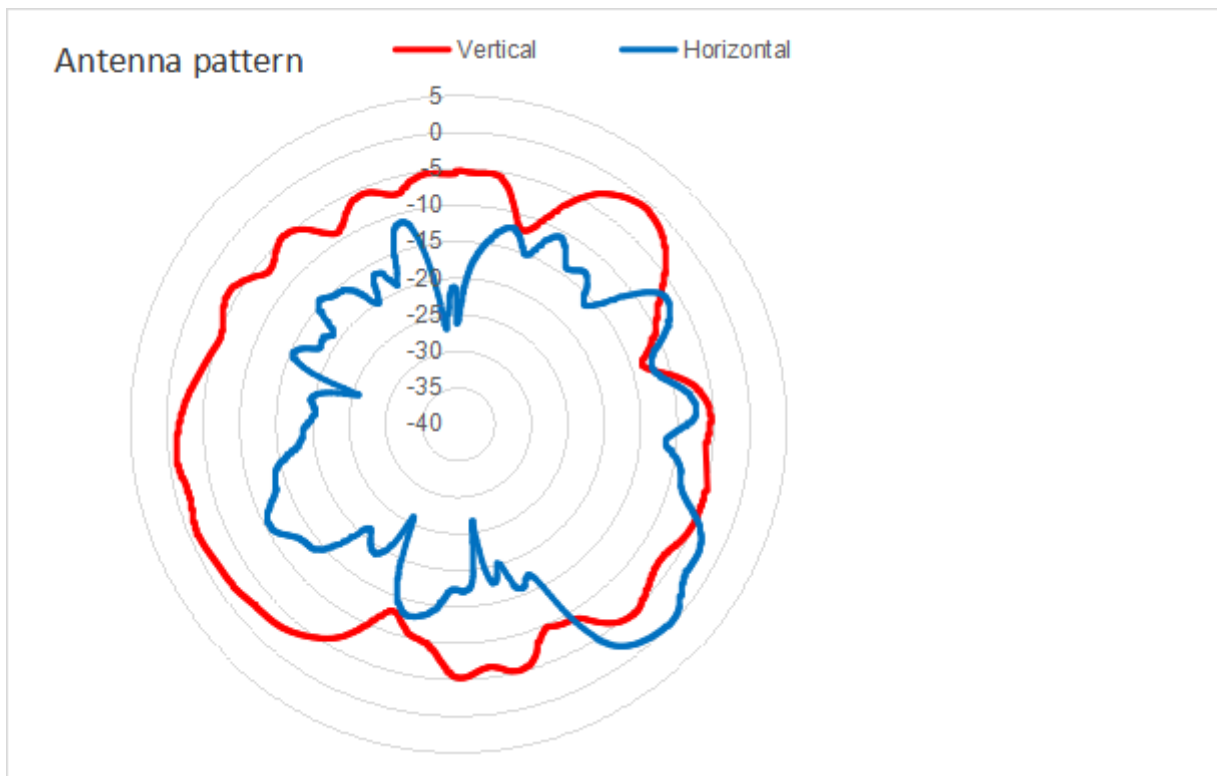


[NG-S3411W]

[5GHz PCB Antenna]

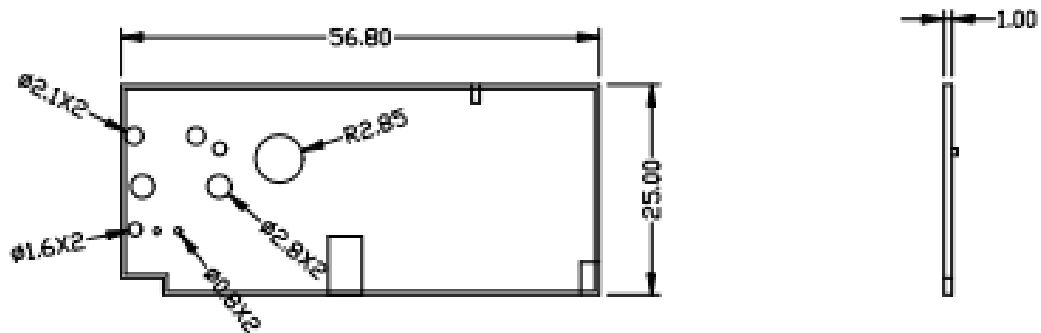
Antenna pattern (5.825GHz)

Max antenna gain is 0.8 dBi



The antenna dimensions

Antenna PCB size

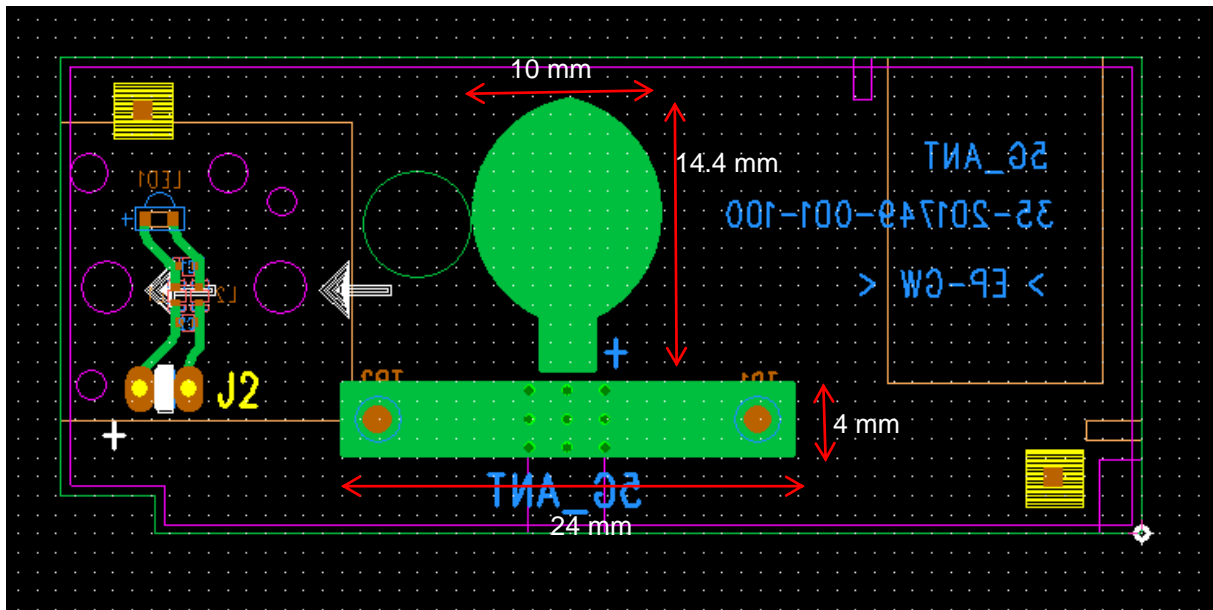


COMPONENT SIDE
(TOP SIDE)

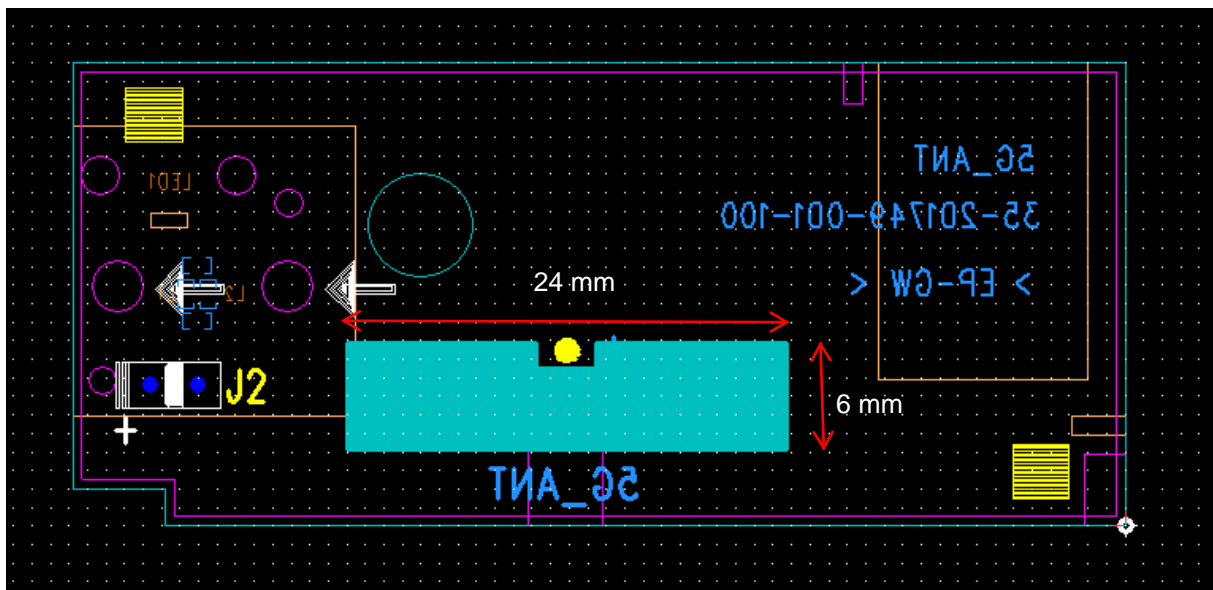
[NG-S3411W]

[5GHz PCB Antenna]

Top layer layout

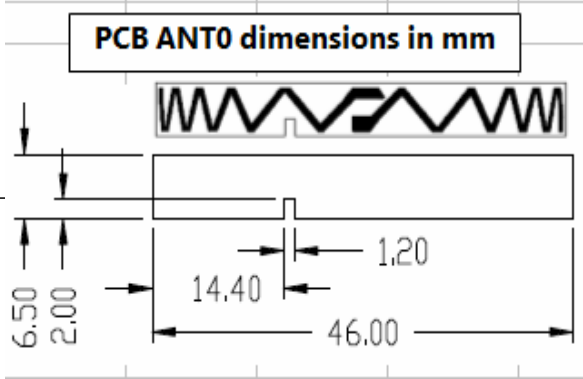


Bottom layer layout



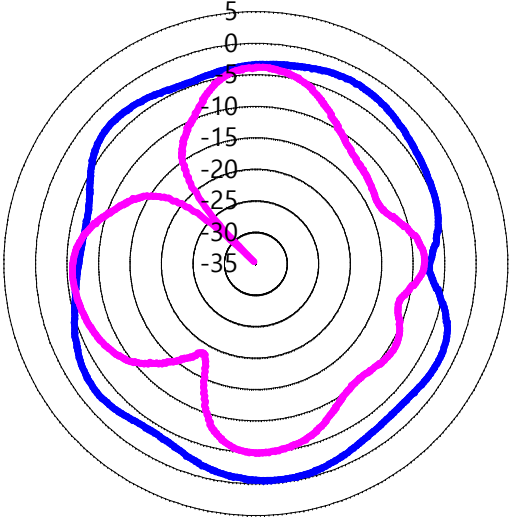
Frequency: 1924.992 MHZ

	Vertical	Horizontal
Antenna Gain (dBi)	-0.43	-3.81



NG-S3411W Base ANT0 Radiation Pattern_YZ Plane

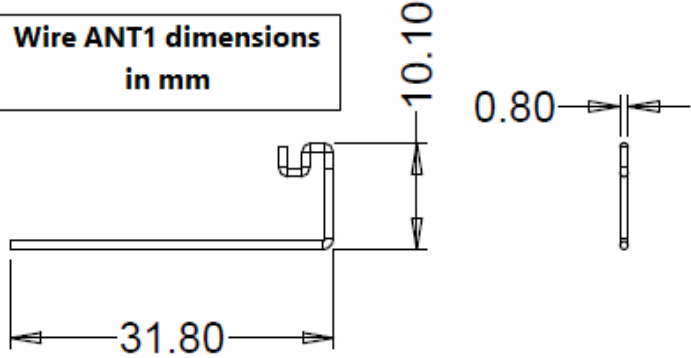
- Vertical
- Horizontal



Frequency: 1924.992 MHZ

	Vertical	Horizontal
Antenna Gain (dBi)	-3.89	-0.23

Wire ANT1 dimensions
in mm



NG-S3411W Base ANT1 Radiation Pattern_YZ Plane

- Vertical
- Horizontal

