

Jan 10, 2016

Purpose of Change

Dear Sir/Madam:

Re: Application for a Permissive Change Filing with FCC ID: EW780-9982-01

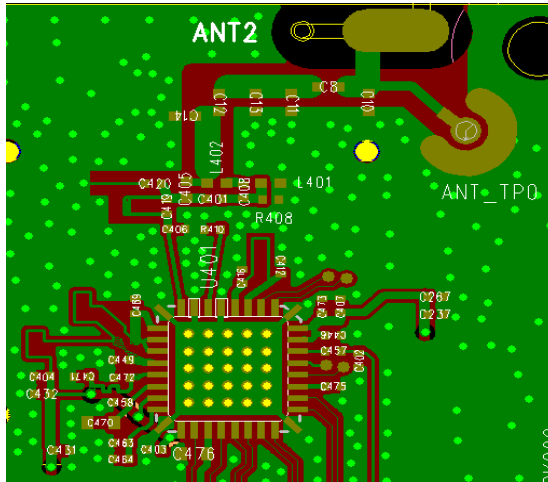
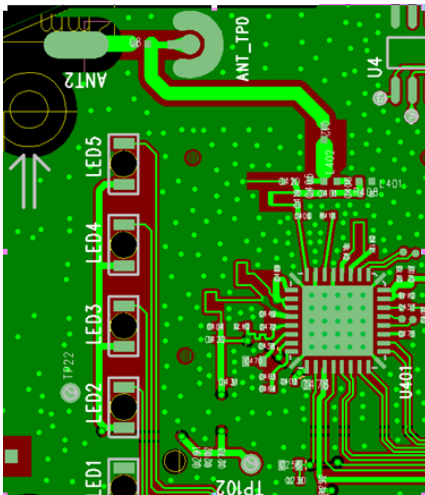
The purpose of this document is to describe all the changes that are made on **Parent Unit** to the new designed family models **DM226 PU** from the original model **DM222 PU** in order to meet the requirements.

Changes of Parent Unit from reference model to the new designed model:

- **Non-RF circuit and its layout**
- **RF matching circuit and its layout**
- **Antenna size and location**
- **External appearance**
- **Coslight (LH075-3AH45C2B) is cancelled**

DM222 PU RF layout (35-200347-003-100)

DM226 PU RF layout (35-200849-000-100)



Similarities of Baby Unit between the original model to the new designed model:

- RF IC/circuit/layout
- Antenna type and gain
- No change in radio parameters has occurred.
- RF conducted and radiated emission level is similar.

Sincerely,

Michael Tsui
Approbation Supervisor