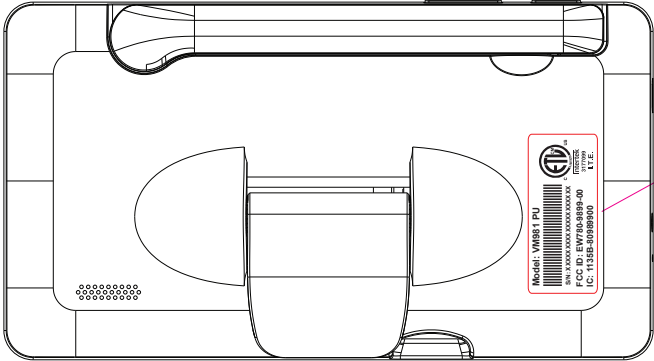
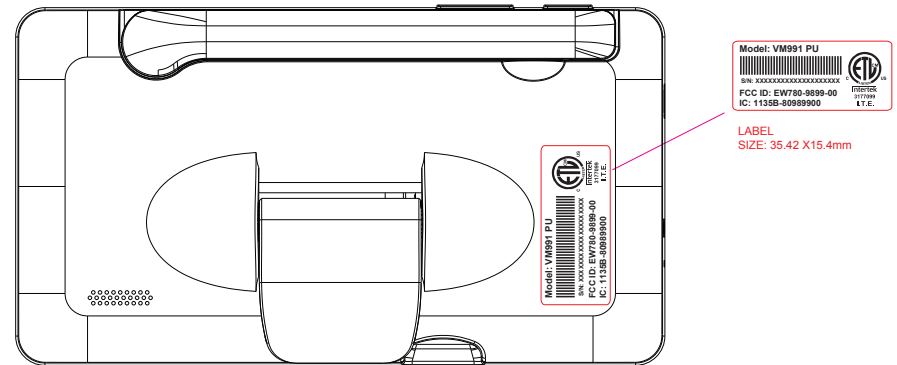


# VM981 Engraving file



For Monitor Unit

# VM991 Engraving file



For Monitor Unit