

**Model: CL84207 Handset Antenna**

**Antenna description:**

This Printed F antenna is optimized and used in the Handset unit. This antenna is directly soldered to the ANT RF output in the main PCB.

Model Number	Description
CL84207 Handset ANT0	1.9GHZ printed F-Antenna

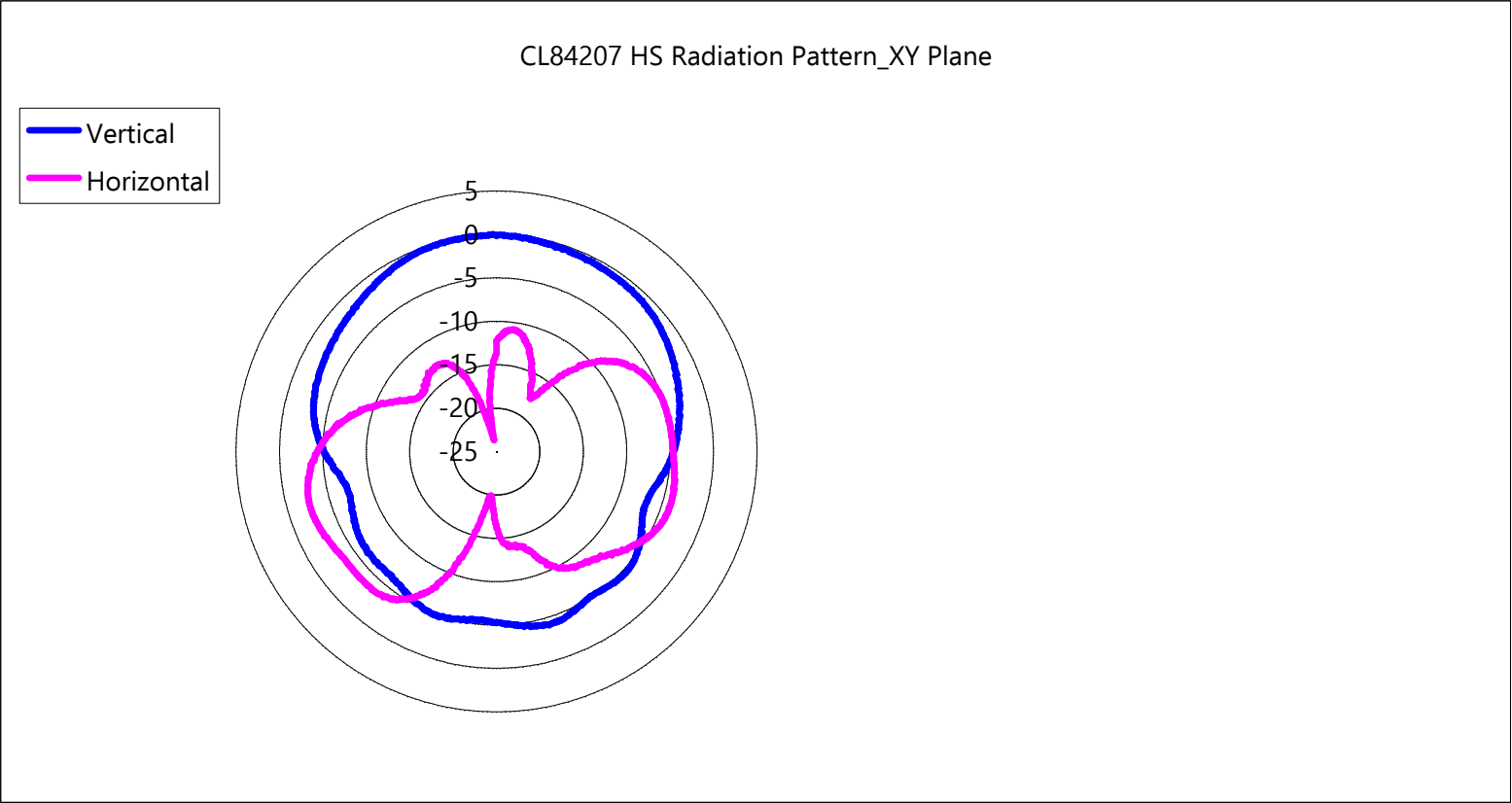
**Specification:**

<b>Operation Frequency Range</b>	1921.536 to 1928.448 MHZ
<b>Maximum Gain</b>	0 dBi
<b>Type</b>	printed F-Antenna
<b>Operation bandwidth</b>	70MHz
<b>Nominal Impedance</b>	~50 ohms
<b>Manufacturer</b>	Vtech Telecommunications Ltd
<b>Manufacturer address</b>	23/F, Tai Ping Industrial Centre, Blk1, 57 Ting Kok Road, Tai Po, Hong Kong
<b>Model number</b>	ANT-CL84207-P-DE-0

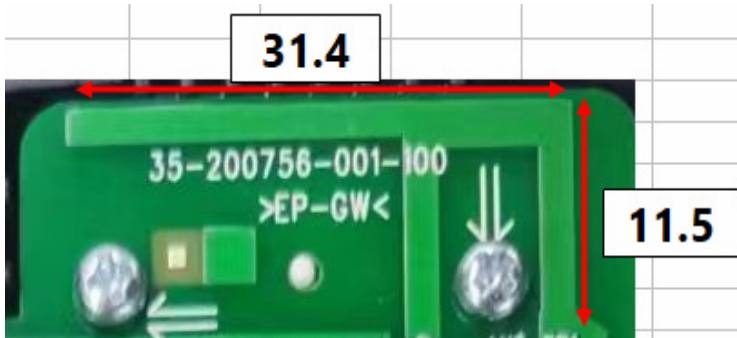
**\*NOTE: Handset Frequency and Orientation with maximum Antenna Gain.**

**Frequency: 1924.992 MHZ**

	<b>Vertical</b>	<b>Horizontal</b>
<b>Antenna Gain (dBi)</b>	0.00	-2.60



**CL84207 Handset Antenna Dimensions in mm**



**Model: CL84207 BS ANT0**

**Antenna description:**

This monopole antenna is optimized and used in the Base unit. This antenna is directly soldered to the ANT0 RF output in the main PCB.

Model Number	Description
CL82407 Base ANT0	1.9GHZ Monopole Antenna

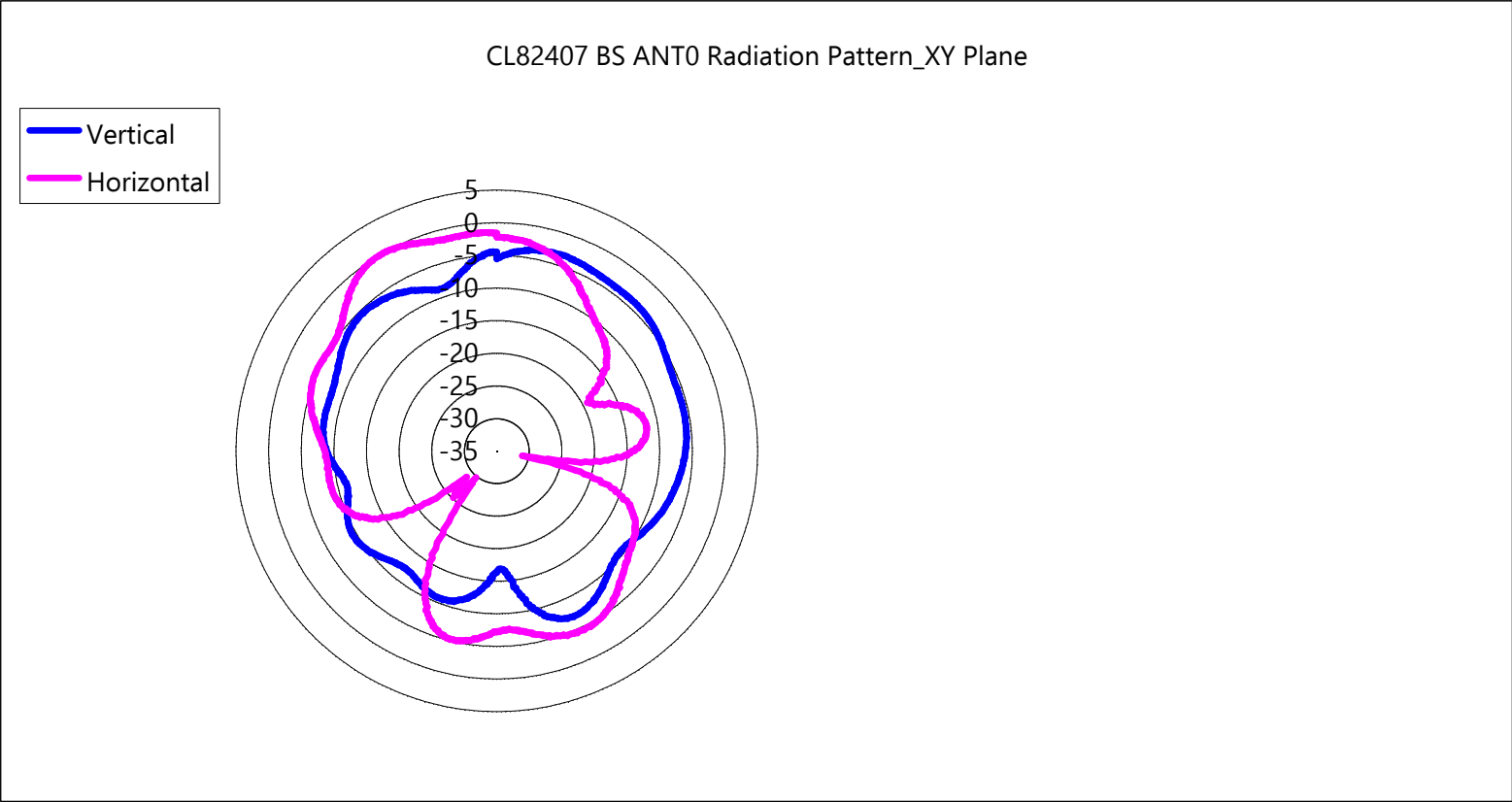
**Specification:**

<b>Operation Frequency Range</b>	1921.536 to 1928.448 MHZ
<b>Maximum Gain</b>	0 dBi
<b>Type</b>	Monopole
<b>Operation bandwidth</b>	70MHz
<b>Nominal Impedance</b>	~50 ohms
<b>Manufacturer</b>	Vtech Telecommunications Ltd
<b>Manufacturer address</b>	23/F, Tai Ping Industrial Centre, Blk1, 57 Ting Kok Road, Tai Po, Hong Kong
<b>Model number</b>	ANT-CL82407-F-DE-0

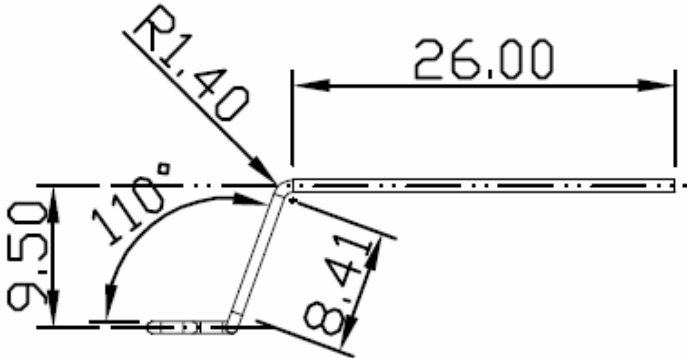
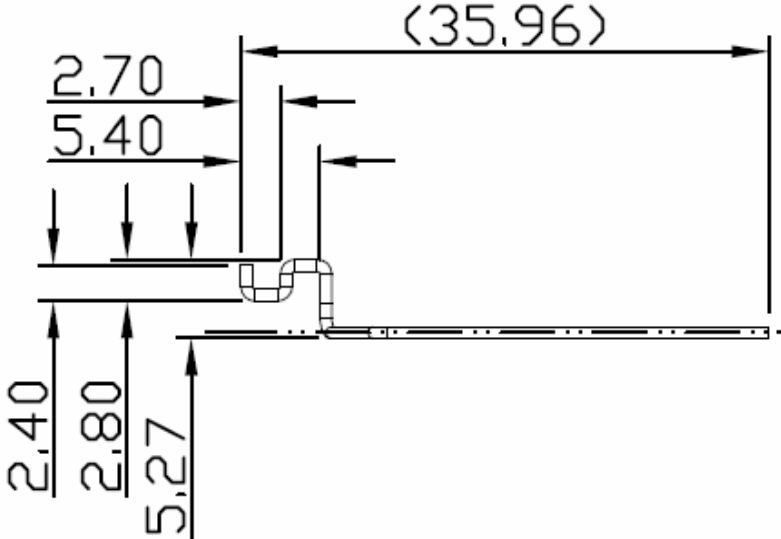
**\*NOTE: Base Frequency and Orientation with maximum Antenna Gain.**

**Frequency: 1924.992 MHZ**

	<b>Vertical</b>	<b>Horizontal</b>
<b>Antenna Gain (dBi)</b>	-3.30	0.00



CL82407 BS ANT0 Dimensions in mm:



**Model: CL82407 BS ANT1**

**Antenna description:**

This Sleeve Dipole Antenna is optimized and used in the Base unit. This antenna is directly soldered to the ANT1 RF output in the main PCB.

Model Number	Description
CL82407 Base ANT1	1.9GHZ Sleeve Dipole Antenna

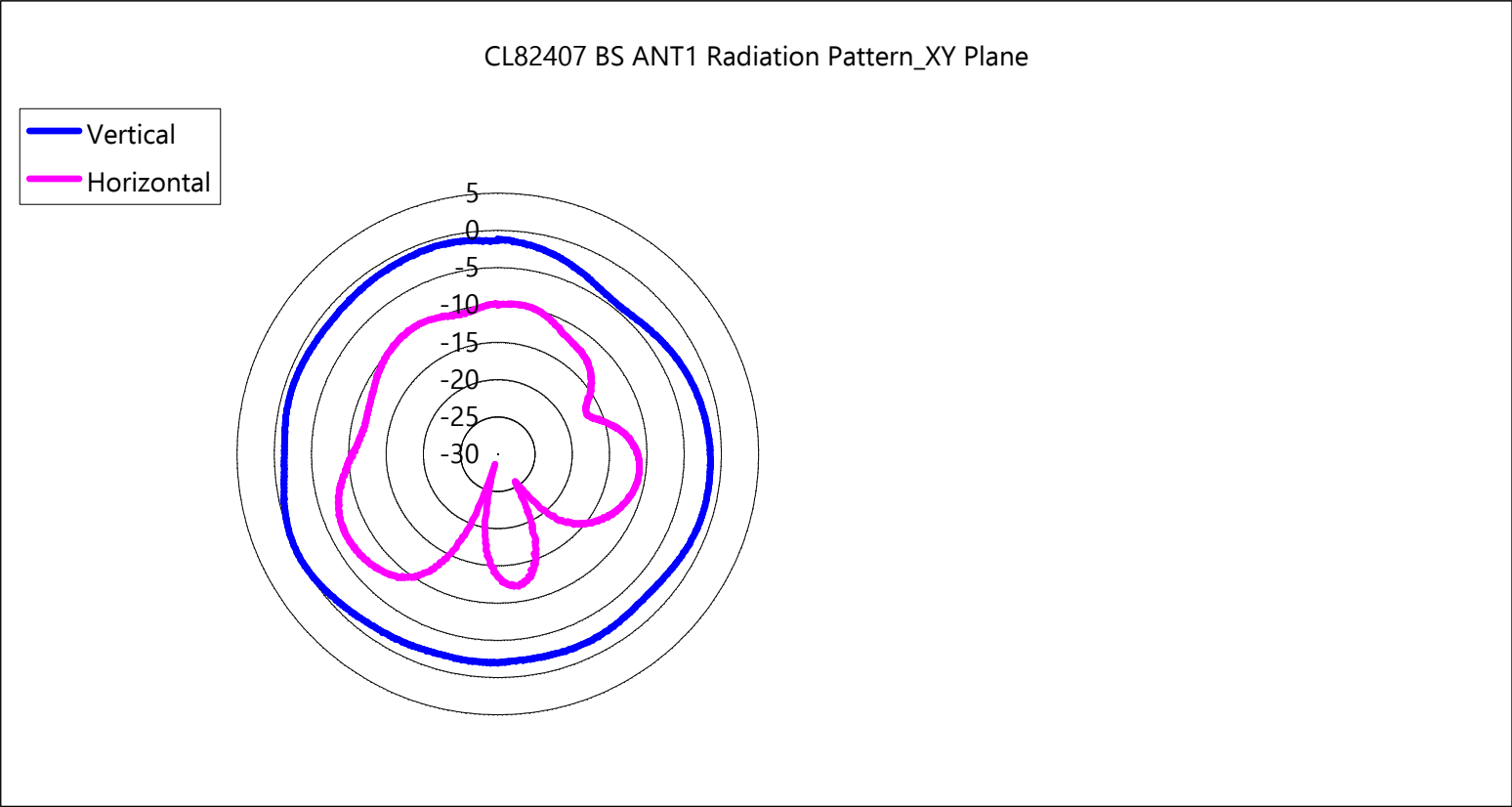
**Specification:**

<b>Operation Frequency Range</b>	1921.536 to 1928.448 MHZ
<b>Maximum Gain</b>	0 dBi
<b>Type</b>	Sleeve Dipole Antenna
<b>Operation bandwidth</b>	70MHz
<b>Nominal Impedance</b>	~50 ohms
<b>Manufacturer</b>	Vtech Telecommunications Ltd
<b>Manufacturer address</b>	23/F, Tai Ping Industrial Centre, Blk1, 57 Ting Kok Road, Tai Po, Hong Kong
<b>Model number</b>	ANT-CL82407-F-DE-1

**\*NOTE: Base Frequency and Orientation with maximum Antenna Gain.**

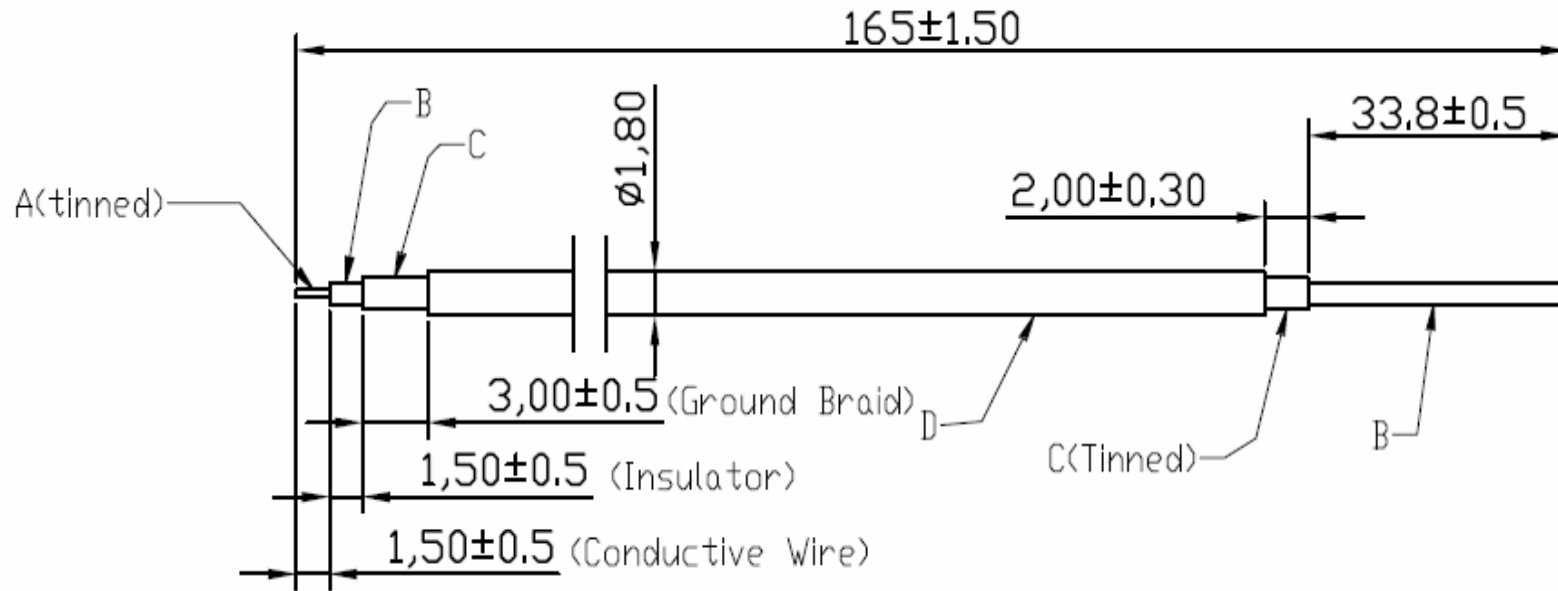
**Frequency: 1924.992 MHZ**

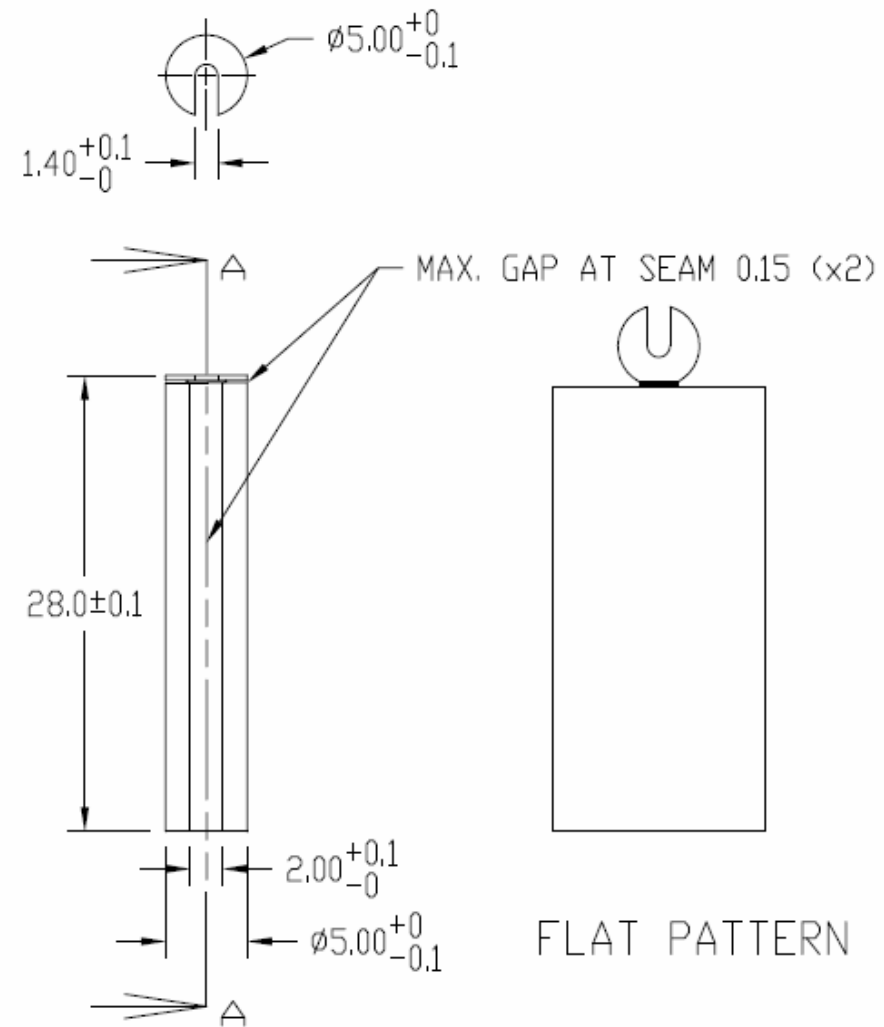
	<b>Vertical</b>	<b>Horizontal</b>
<b>Antenna Gain (dBi)</b>	0.00	-6.91





CL82407 BS ANT1 Dimensions in mm





**Model: CL84207 BS BT ANT**

**Antenna description:**

This Printed F Antenna is optimized and used in the Base unit. This antenna is directly soldered to the BT ANT RF output in the main PCB.

Model Number	Description
CL84207 Base BT ANT	2.4GHZ Printed F Antenna

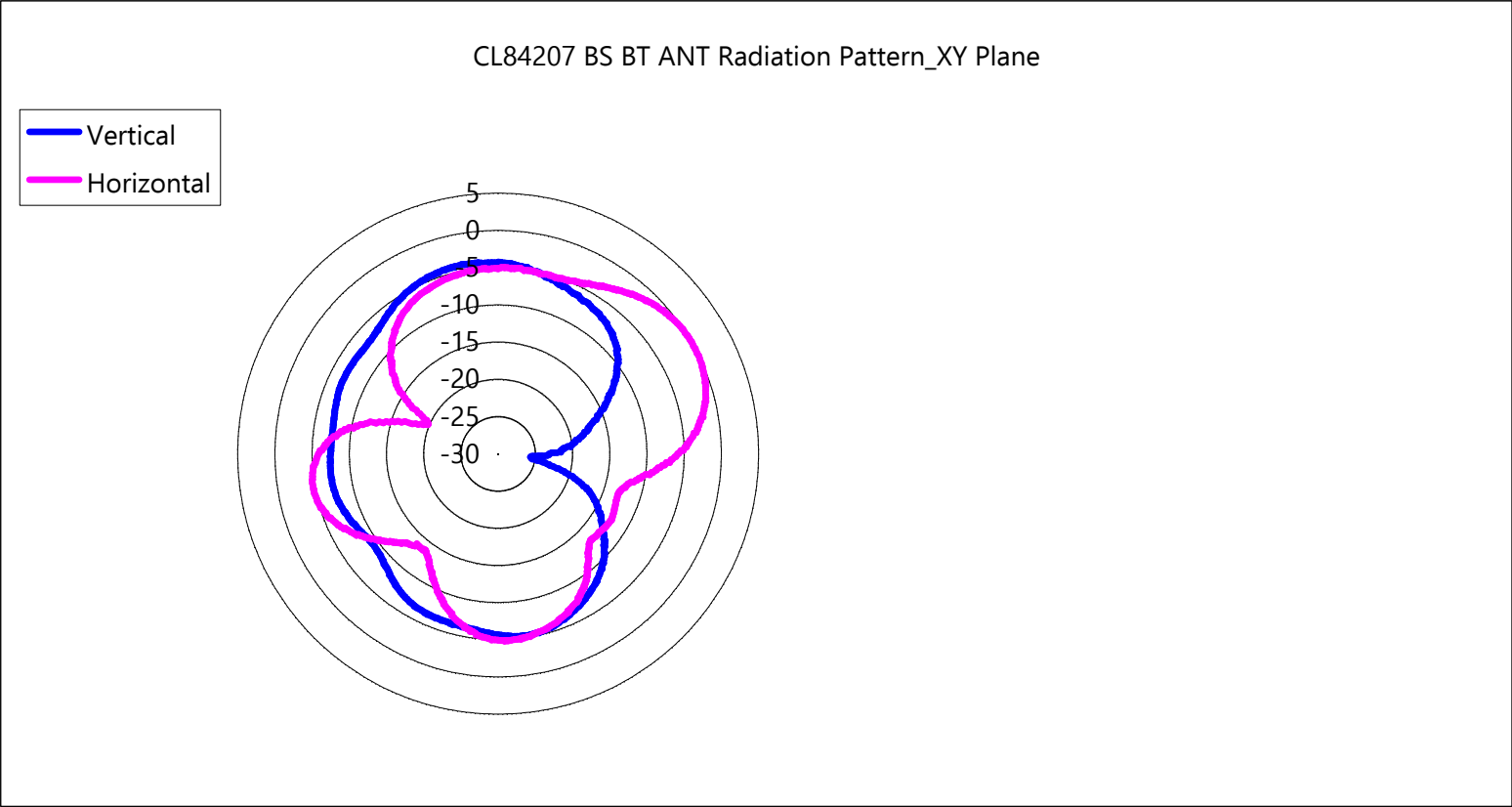
**Specification:**

<b>Operation Frequency Range</b>	2402 to 2480 MHZ
<b>Maximum Gain</b>	0 dBi
<b>Type</b>	Printed F Antenna
<b>Operation bandwidth</b>	70MHz
<b>Nominal Impedance</b>	~50 ohms
<b>Manufacturer</b>	Vtech Telecommunications Ltd
<b>Manufacturer address</b>	23/F, Tai Ping Industrial Centre, Blk1, 57 Ting Kok Road, Tai Po, Hong Kong
<b>Model number</b>	ANT-CL84207-F-BT-0

**\*NOTE: Frequency and Orientation with maximum Antenna Gain.**

**Frequency: 2480 MHZ**

	<b>Vertical</b>	<b>Horizontal</b>
<b>Antenna Gain (dBi)</b>	-4.16	0.00



CL84207 BS BT Antenna Dimensions in mm

