

Model: CL82215 BS BT ANT

Antenna description:

This Printed F Antenna is optimized and used in the Base unit. This antenna is directly soldered to the BT ANT RF output in the main PCB.

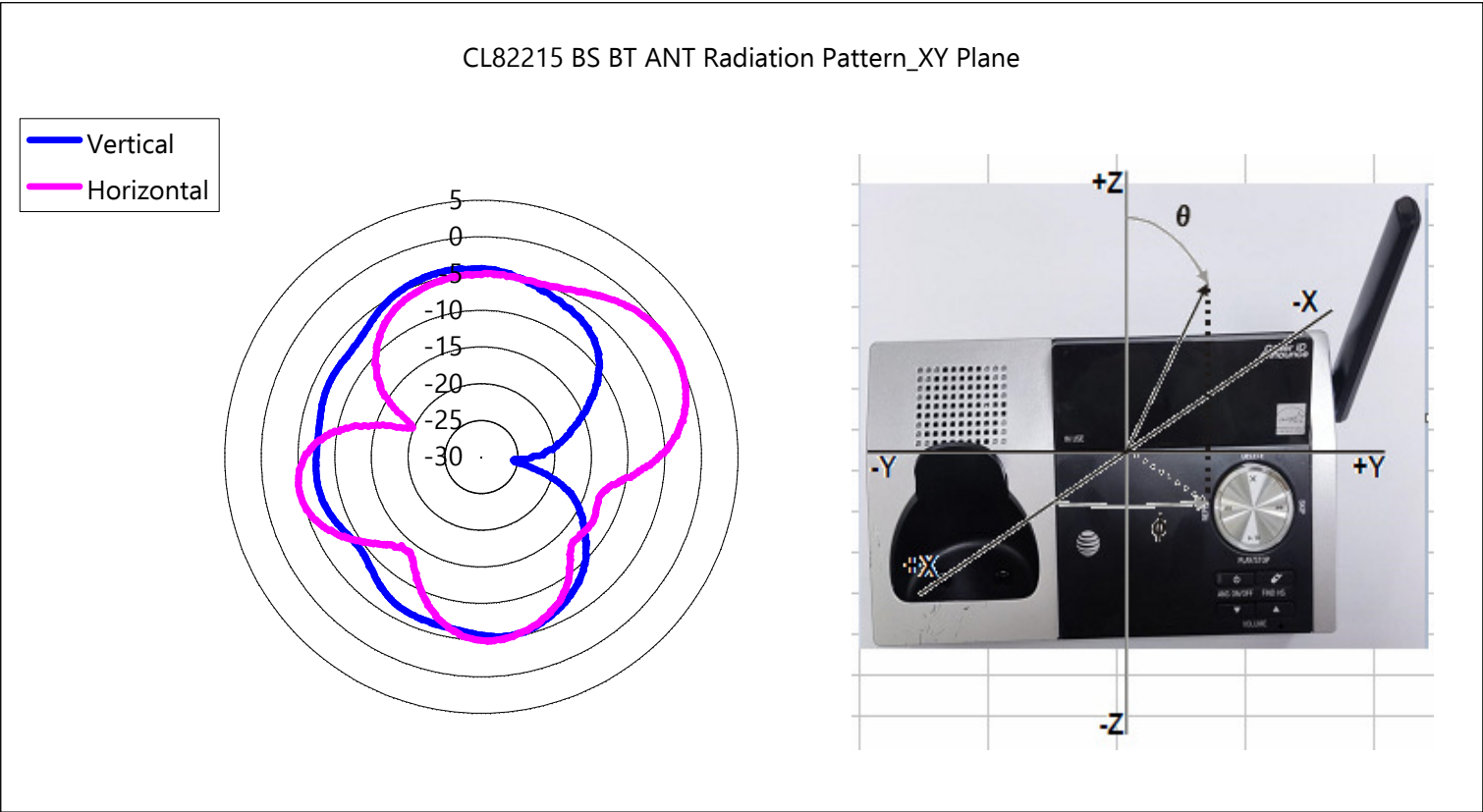
Model Number	Description
CL82215 Base BT ANT	2.4GHZ Printed F Antenna

Specification:

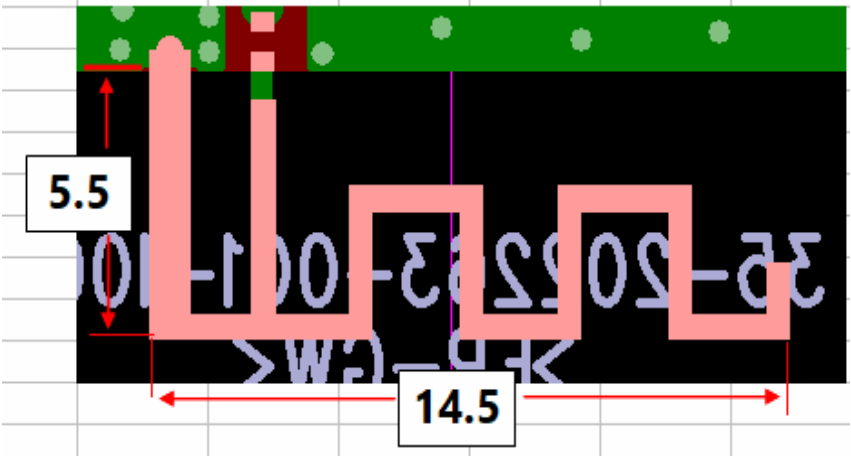
Operation Frequency Range	2402 to 2480 MHZ
Maximum Gain	0 dBi
Type	Printed F Antenna
Operation bandwidth	70MHz
Nominal Impedance	~50 ohms
Manufacturer	Vtech Telecommunications Ltd
Manufacturer address	23/F, Tai Ping Industrial Centre, Blk1, 57 Ting Kok Road, Tai Po, Hong Kong
Model number	ANT-CL82215-F-BT-0

Frequency: 2480 MHZ (the frequency with maximum gain)

	Vertical	Horizontal
Antenna Gain (dBi)	-4.16	0.00



CL82215 BS BT Antenna Dimensions in mm



Model: CL82215 BS ANT_0

Antenna description:

This monopole antenna is optimized and used in the Base unit. This antenna is directly soldered to the ANT_0 RF output in the main PCB.

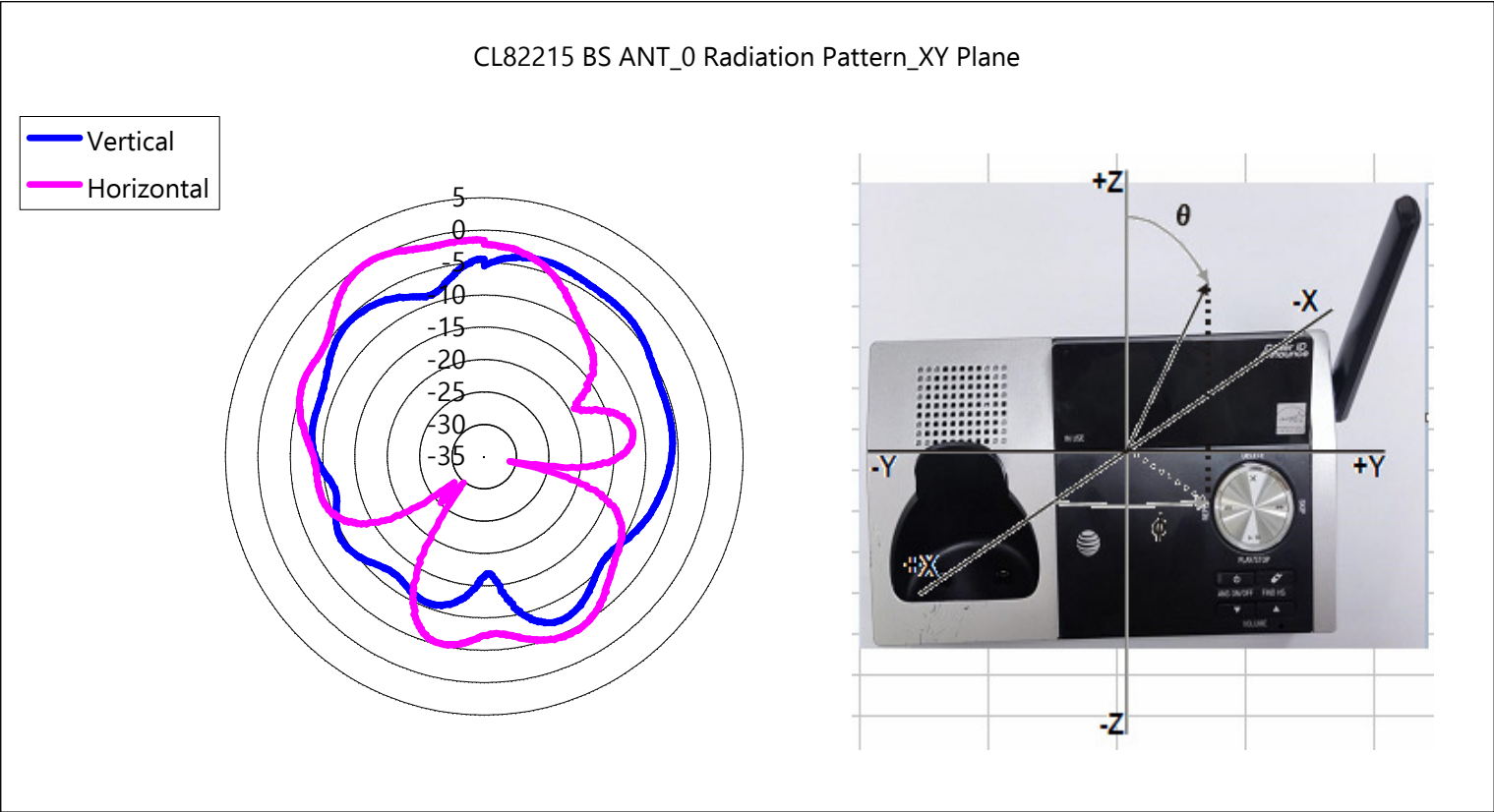
Model Number	Description
CL82215 Base ANT_0	1.9GHZ Monopole Antenna

Specification:

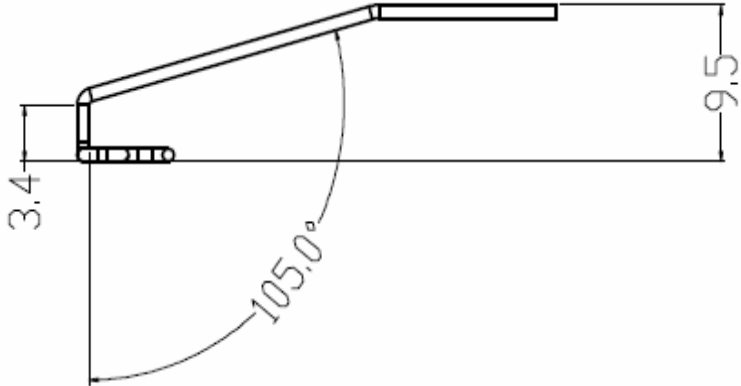
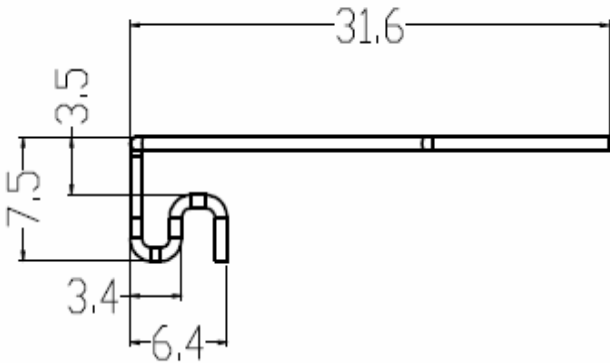
Operation Frequency Range	1921.536 to 1928.448 MHZ
Maximum Gain	0 dBi
Type	Monopole
Operation bandwidth	70MHz
Nominal Impedance	~50 ohms
Manufacturer	Vtech Telecommunications Ltd
Manufacturer address	23/F, Tai Ping Industrial Centre, Blk1, 57 Ting Kok Road, Tai Po, Hong Kong
Model number	ANT-CL82215-F-DE-0

Frequency: 1924.992 MHz (the frequency with maximum gain)

	Vertical	Horizontal
Antenna Gain (dBi)	-3.30	0.00



CL82215 BS ANT_0 Dimensions in mm:



Model: CL82215 BS ANT_2

Antenna description:

This monopole antenna is optimized and used in the Base unit. This antenna is directly soldered to the ANT_2 RF output in the main PCB.

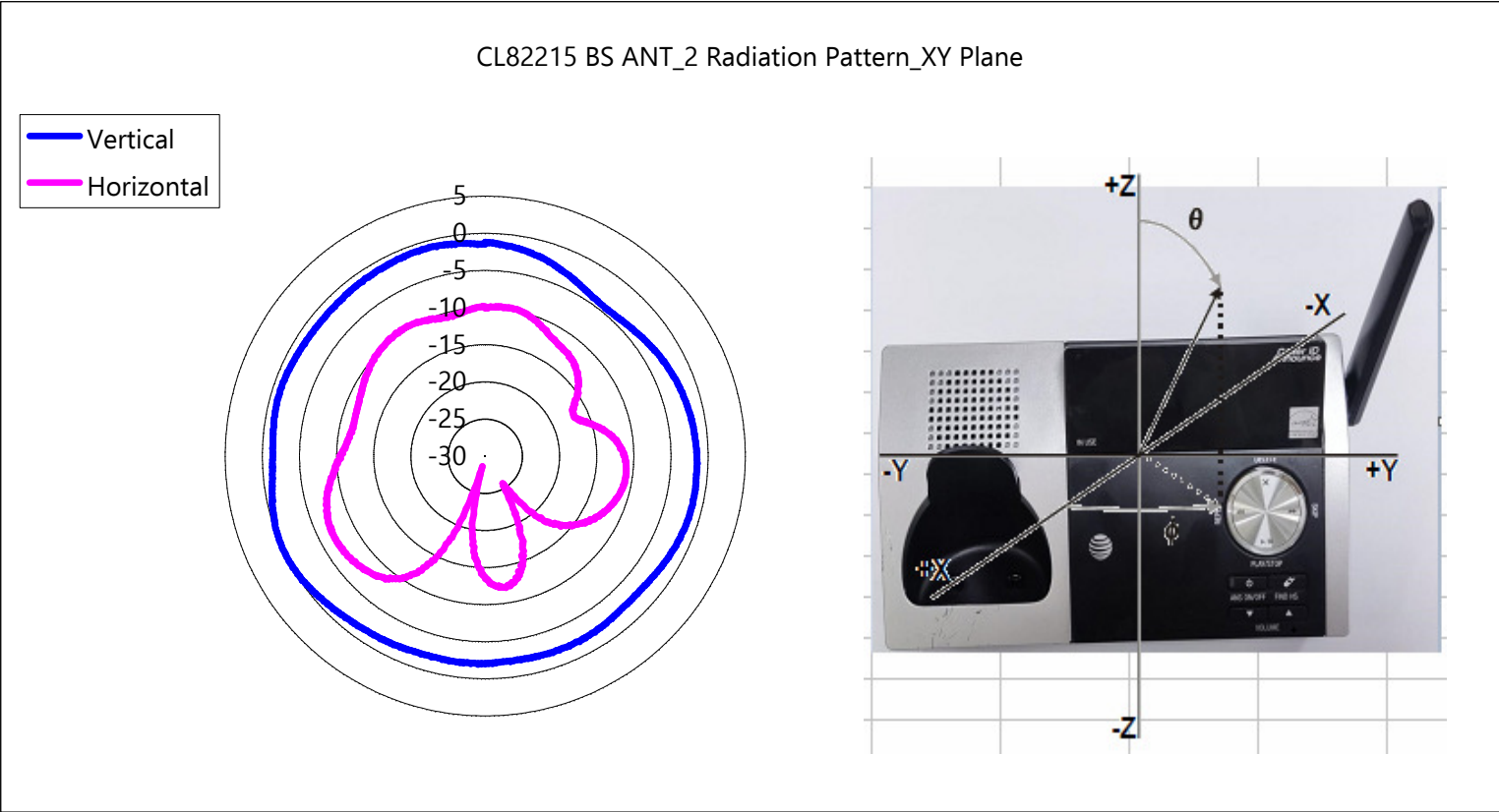
Model Number	Description
CL82215 Base ANT_2	1.9GHZ Sleeve Dipole Antenna

Specification:

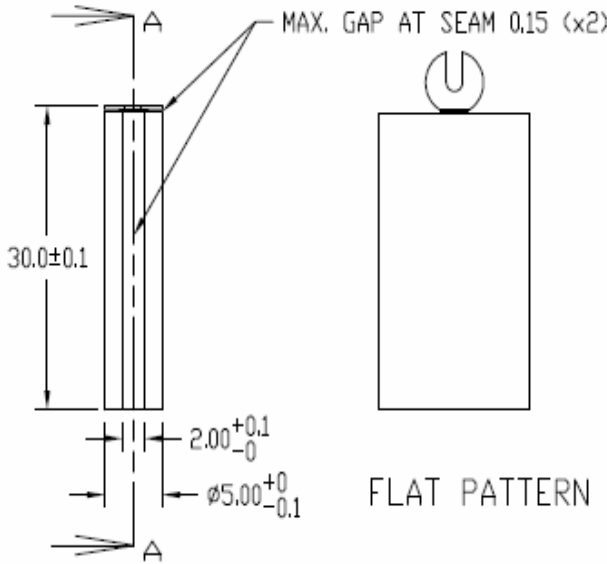
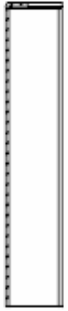
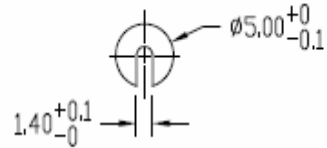
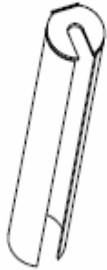
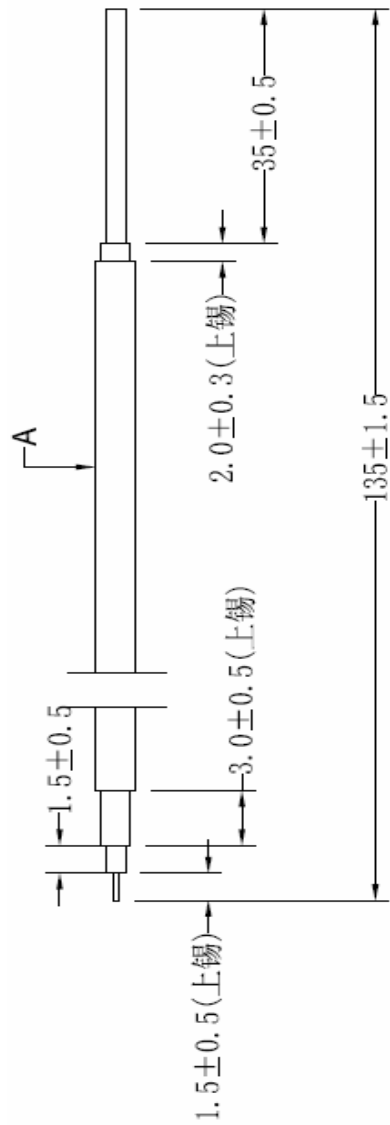
Operation Frequency Range	1921.536 to 1928.448 MHZ
Maximum Gain	0 dBi
Type	Sleeve Dipole Antenna
Operation bandwidth	70MHz
Nominal Impedance	~50 ohms
Manufacturer	Vtech Telecommunications Ltd
Manufacturer address	23/F, Tai Ping Industrial Centre, Blk1, 57 Ting Kok Road, Tai Po, Hong Kong
Model number	ANT-CL82215-F-DE-2

Frequency: 1924.992 MHz (the frequency with maximum gain)

	Vertical	Horizontal
Antenna Gain (dBi)	0.00	-6.91



CL82215 BS ANT_2 Dimensions in mm



SECTION A-A

FLAT PATTERN