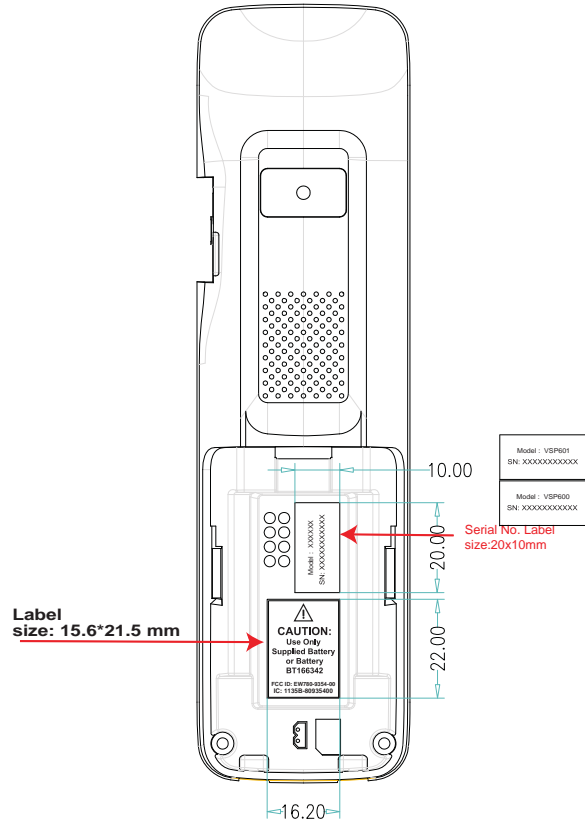
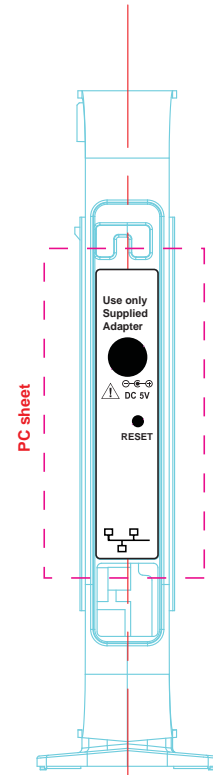


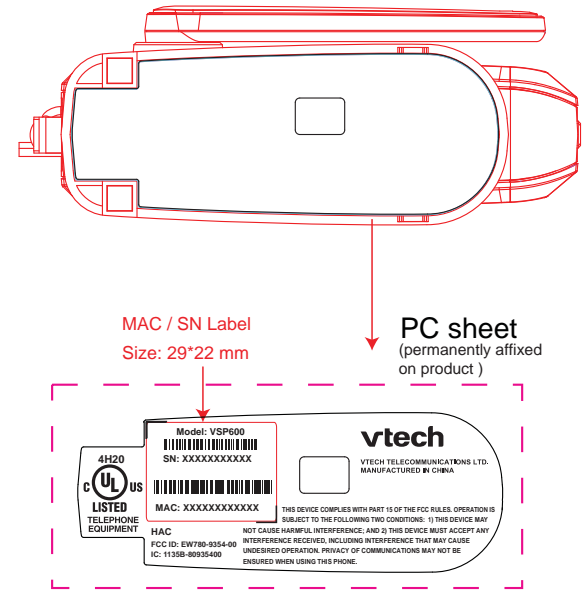
VSP601 / VSP600 Charge btm



VSP601 / VSP600 HS rear

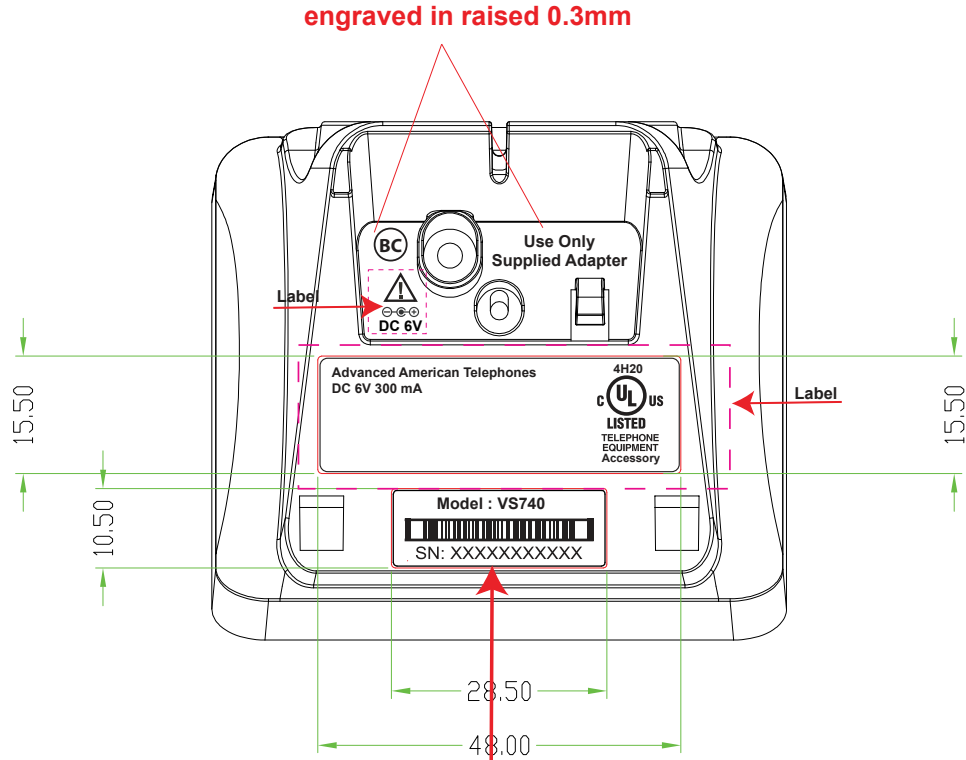


VSP600 BS side



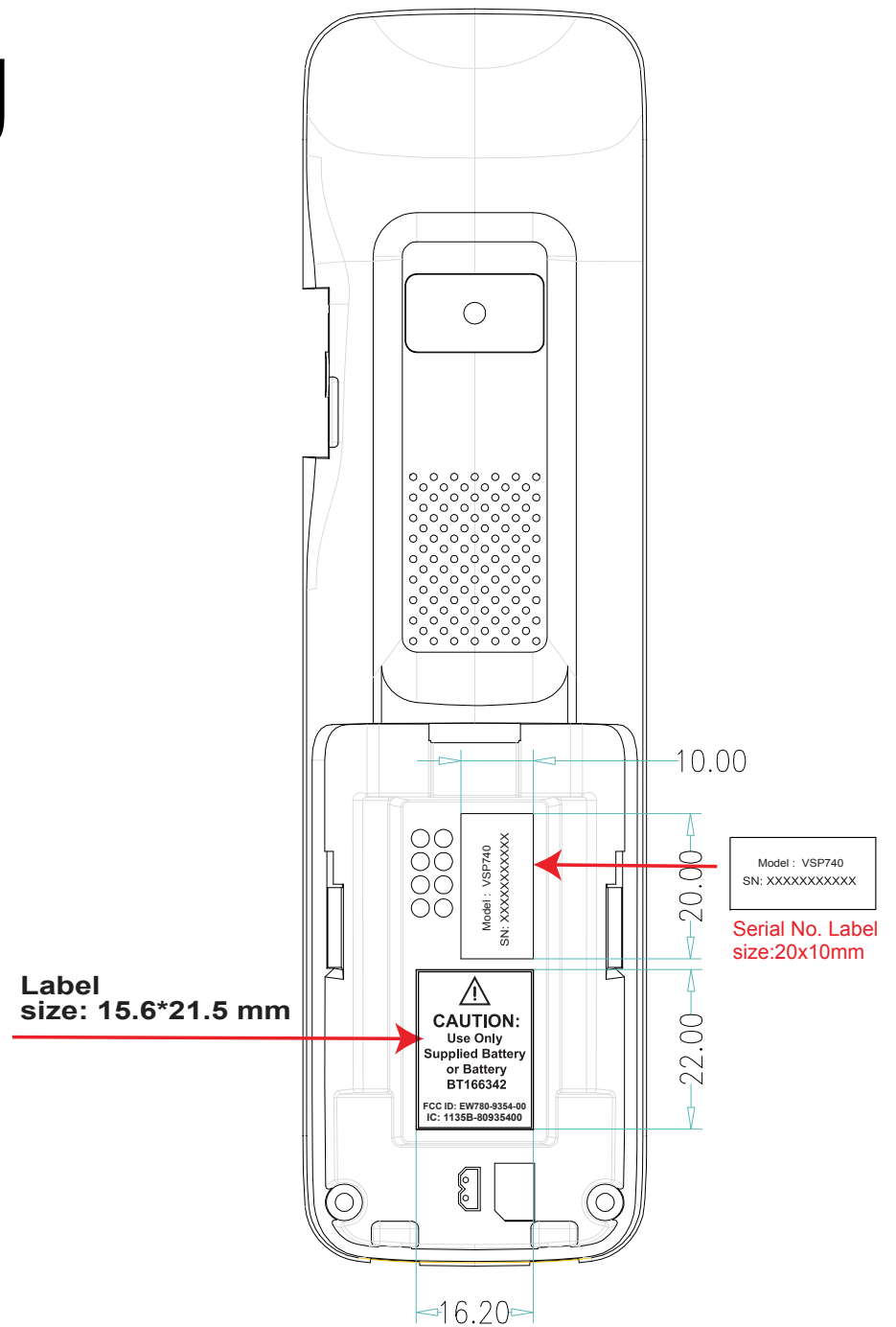
VSP600 BS BTM

# VSP740 Engraving



Serial no. label  
Size: 20x10mm  
only for SB8601

## Charge



## HS