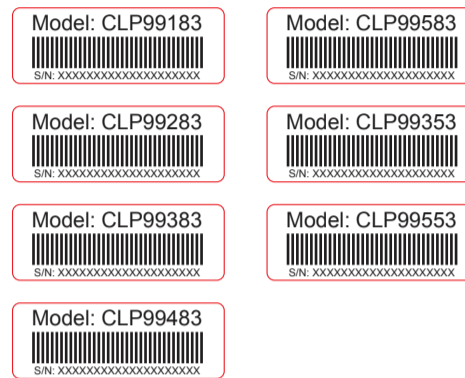
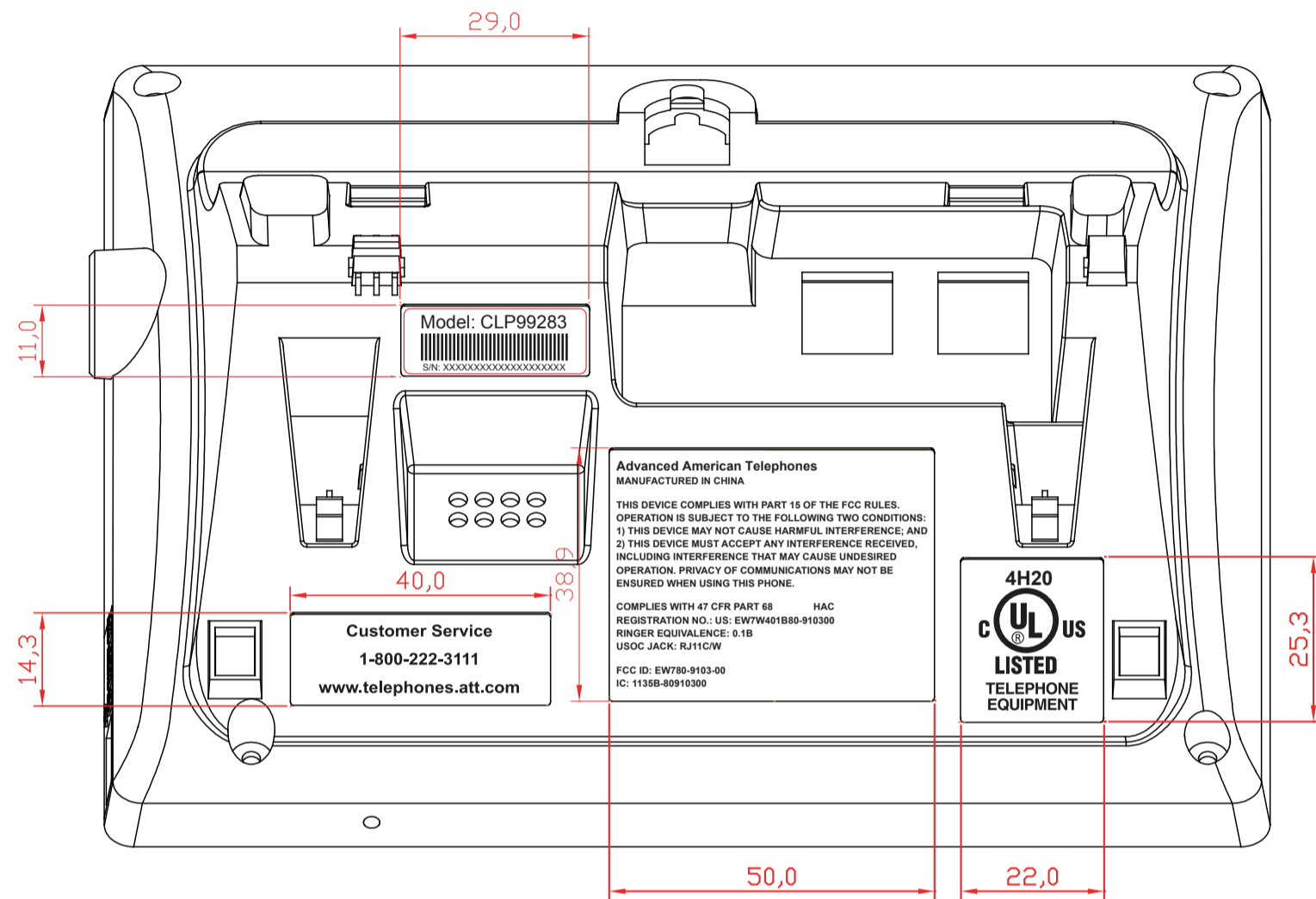


CLP99XX3 BS & HS &CH Engraving



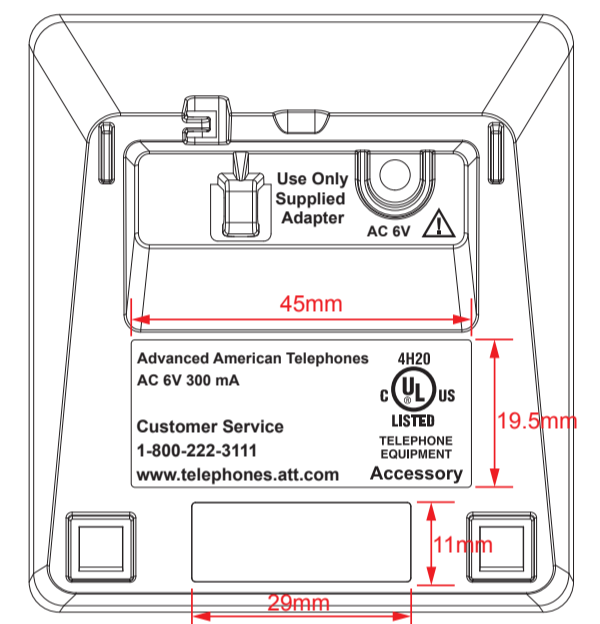
BS Engraving



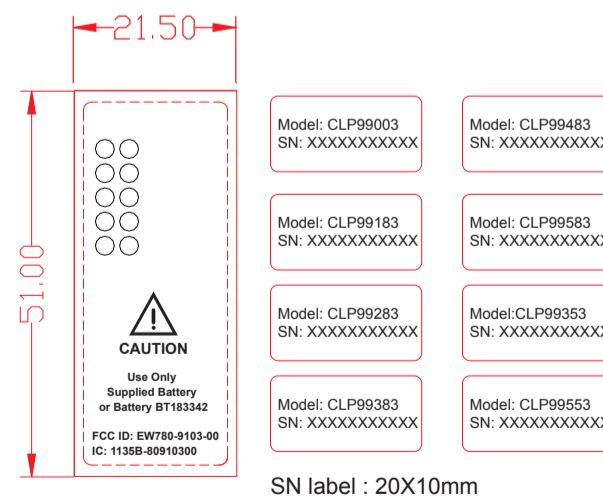
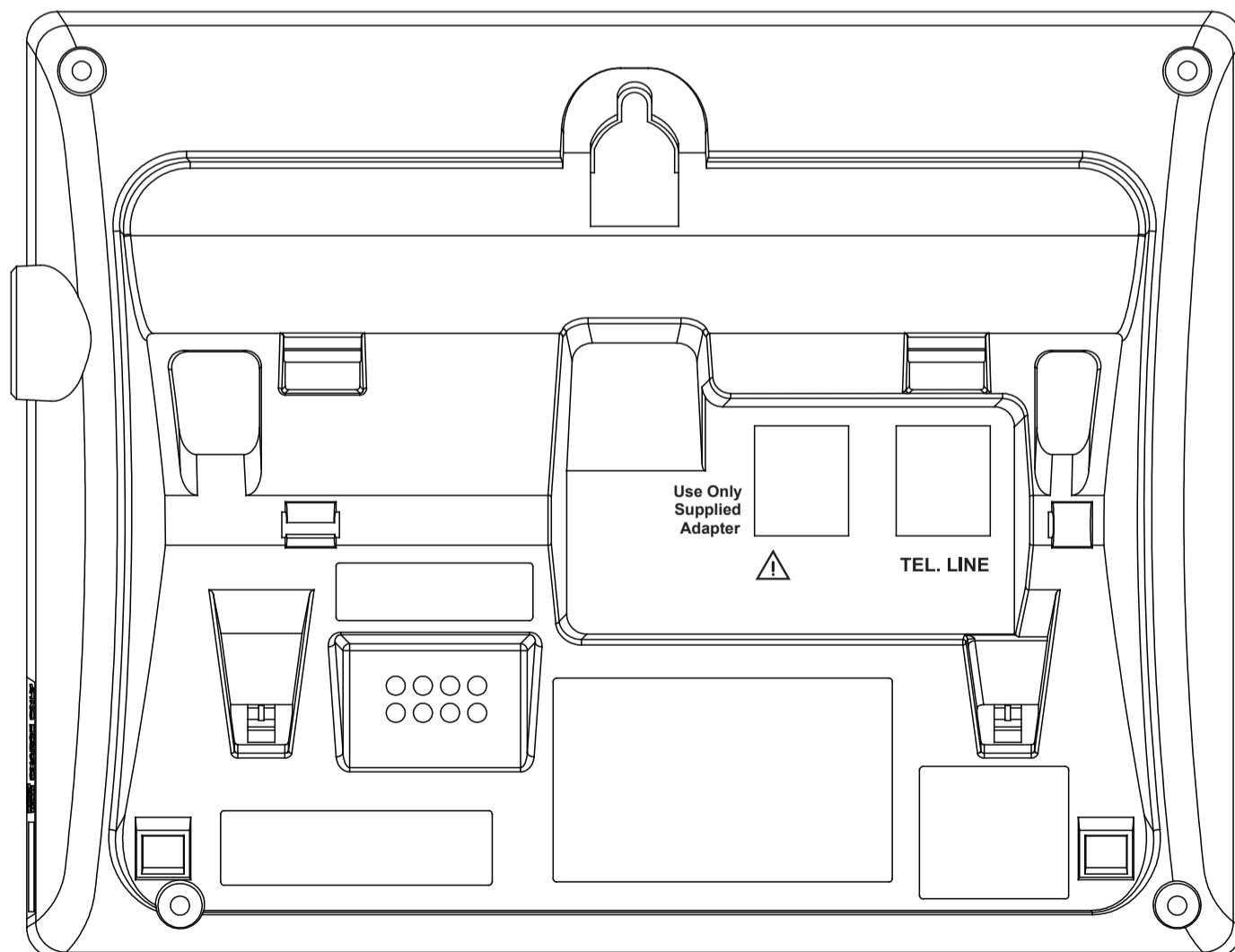
SN. label(28x10mm)
92-007224-000-100

CH Engraving

CLP99283's Charger
CLP99383's Charger
CLP99483's Charger
CLP99583's Charger
CLP99353's Charger
CLP99553's Charger

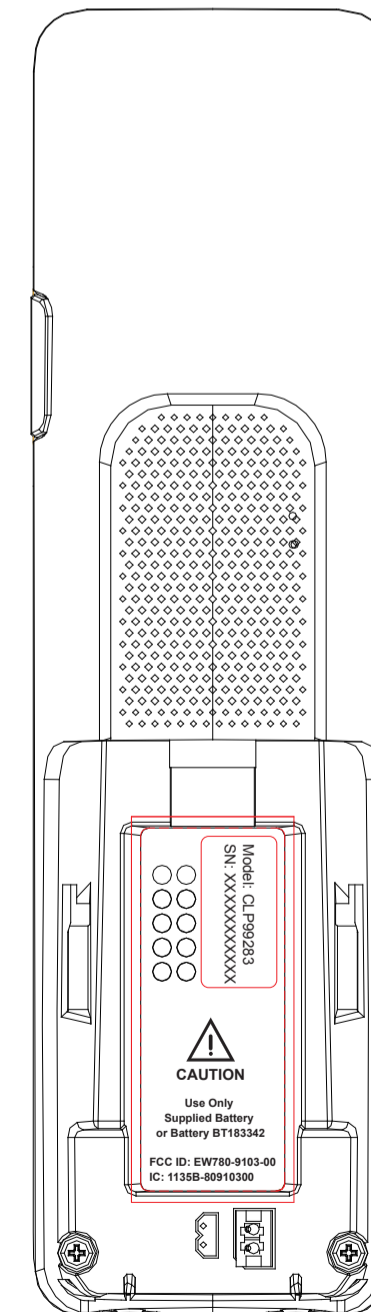


HS Engraving

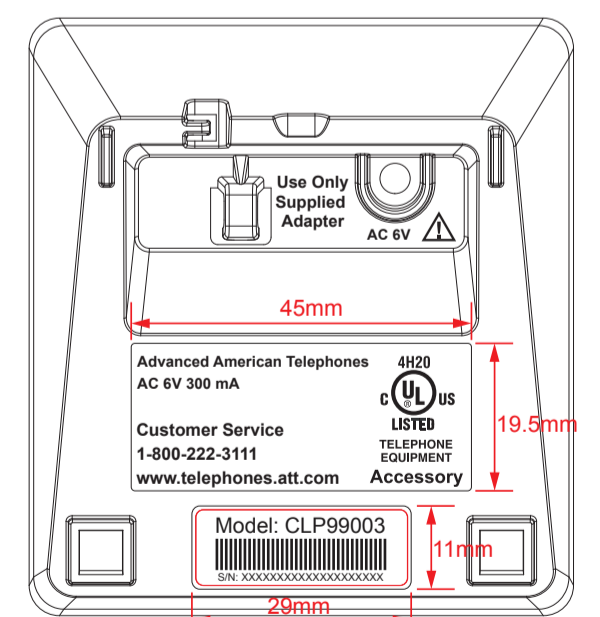


SN label : 20X10mm

PC sheet



CLP99003's Charger



Model: CLP99003
SN. label(28x10mm)
92-007224-000-100

Remark: For FCC approval: CLP99183, CLP99283, CLP99383, CLP99483, CLP99583, CLP99553, CLP99353, CLP99XY3, CLP99003.
For IC approval: CLP99283, CLP99383, CLP99483, CLP99583, CLP99553, CLP99003.