

Model: CS6719 Base Antenna 0

Antenna description:

This wire Monopole antenna is optimized and used in the Base unit. This antenna is directly soldered to the ANT_0 RF output in the main PCB.

Model Number	Description
CS6719 BS ANT0	1.9GHz Monopole

Specification:

Operation Frequency Range	1921.536 to 1928.448 MHz
Maximum Gain	0 dBi
Type	Monopole
Operation bandwidth	10MHz
Nominal Impedance	~50 ohms
Manufacturer	Vtech Telecommunications Ltd
Manufacturer address	23/F, Tai Ping Industrial Centre, Blk1, 57 Ting Kok Road, Tai Po, Hong Kong
Model number	ANT-CS6719-F-DE-0

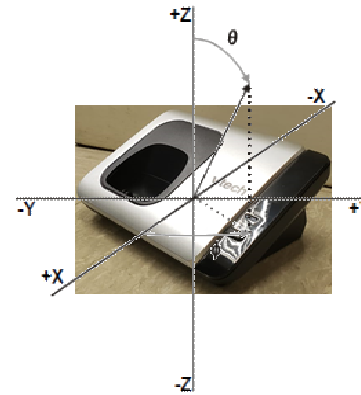
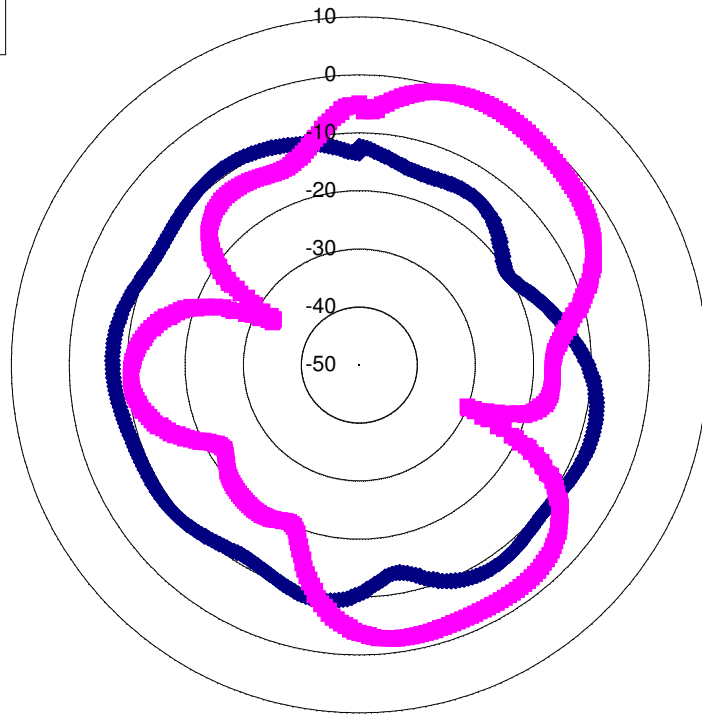
***NOTE: Frequency and Orientation with maximum Antenna Gain.**

Frequency: 1924.992 MHz

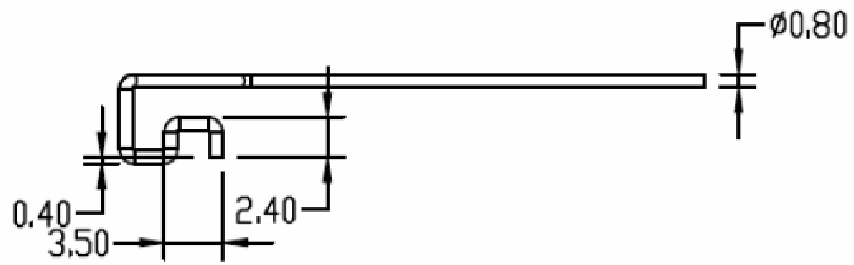
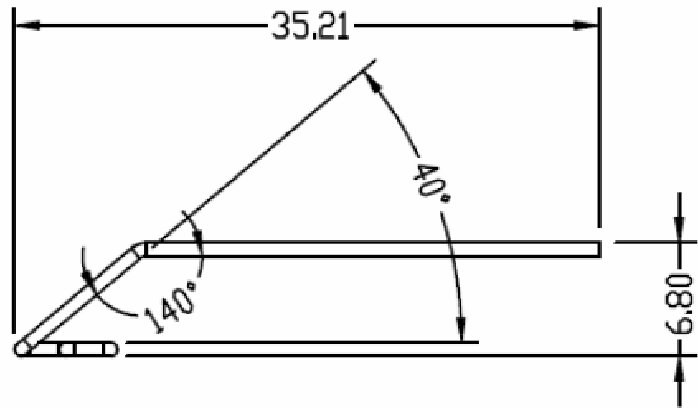
	Vertical	Horizontal
Antenna Gain (dBi)	-7.44	0.00

BL102 BS ANT0 Radiation Pattern_XY Plane

◆ Vertical
■ Horizontal



CS6719 BS ANT0 Antenna Dimensions in mm



Model: CS6719 Base Antenna 1**Antenna description:**

This wire Monopole antenna is optimized and used in the Base unit. This antenna is directly soldered to the ANT_1 RF output in the main PCB.

Model Number	Description
CS6719 BS ANT1	1.9GHz Monopole

Specification:

Operation Frequency Range	1921.536 to 1928.448 MHz
Maximum Gain	0 dBi
Type	Monopole
Operation bandwidth	10MHz
Nominal Impedance	~50 ohms
Manufacturer	Vtech Telecommunications Ltd
Manufacturer address	23/F, Tai Ping Industrial Centre, Blk1, 57 Ting Kok Road, Tai Po, Hong Kong
Model number	ANT-CS6719-F-DE-1

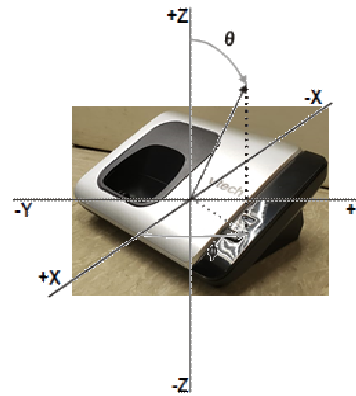
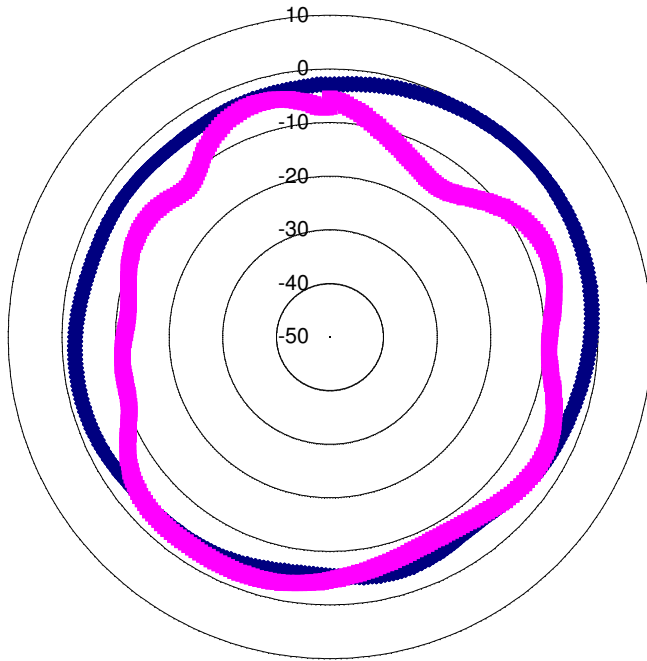
***NOTE: Frequency and Orientation with maximum Antenna Gain.**

Frequency: 1924.992 MHz

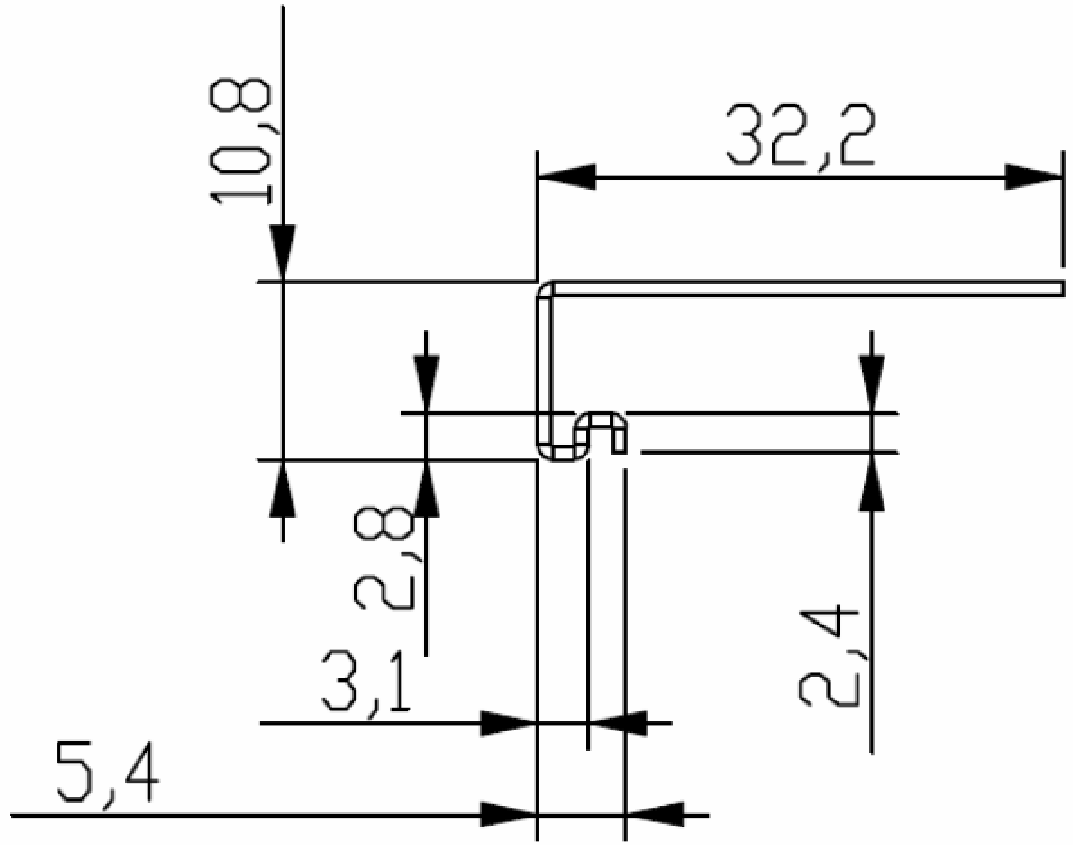
	Vertical	Horizontal
Antenna Gain (dBi)	0.00	-2.88

BL102 BS ANT1 Radiation Pattern_XY Plane

◆ Vertical
■ Horizontal



CS6719 BS ANT1 Antenna Dimensions in mm



Model: CS6719 Base Bluetooth Antenna

Antenna description:

This printed F antenna is optimized and used in the Base unit. This antenna is directly soldered to the Bluetooth RF output in the main PCB.

Model Number	Description
CS6719 BS BT ANT	2.4GHz Printed F Antenna

Specification:

Operation Frequency Range	2402 to 2480 MHz
Maximum Gain	0 dBi
Type	Printed F Antenna
Operation bandwidth	80MHz
Nominal Impedance	~50 ohms
Manufacturer	Vtech Telecommunications Ltd
Manufacturer address	23/F, Tai Ping Industrial Centre, Blk1, 57 Ting Kok Road, Tai Po, Hong Kong
Model number	ANT-CS6719-F-BT-0

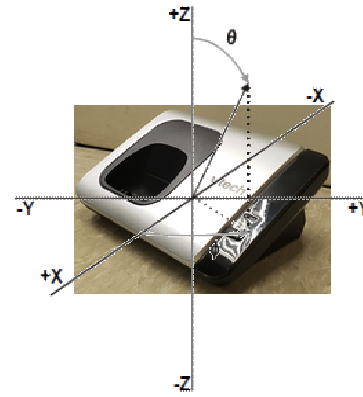
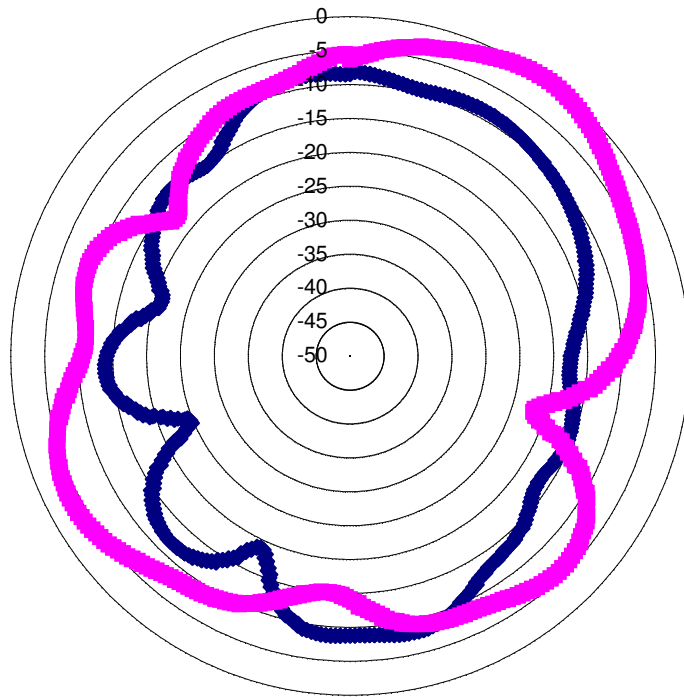
***NOTE: Frequency and Orientation with maximum Antenna Gain.**

Frequency: 2440MHz

	Vertical	Horizontal
Antenna Gain (dBi)	-8.08	0.00

BL102 BS BT Radiation Pattern_XY Plane

◆ Vertical
■ Horizontal



CS6719 BS BT Antenna Dimensions in mm

