

## Model: EL51203 Handset Antenna

### Antenna description:

This PCB Printed F antenna is optimized and used in the Handset unit. This antenna is directly connected to the ANT RF output in the main PCB.

Model Number	Description
EL51203 Handset ANT	1.9GHz PCB Printed F antenna

### Specification:

<b>Operation Frequency Range</b>	1921.536 to 1928.448 MHz
<b>Maximum Gain</b>	0 dBi
<b>Type</b>	Printed F
<b>Operation bandwidth</b>	70MHz
<b>Nominal Impedance</b>	~50 ohms
<b>Manufacturer</b>	Vtech Telecommunications Ltd
<b>Manufacturer address</b>	23/F, Tai Ping Industrial Centre, Blk1, 57 Ting Kok Road, Tai Po, Hong Kong
<b>Model number</b>	ANT-EL51203-P-DE-0

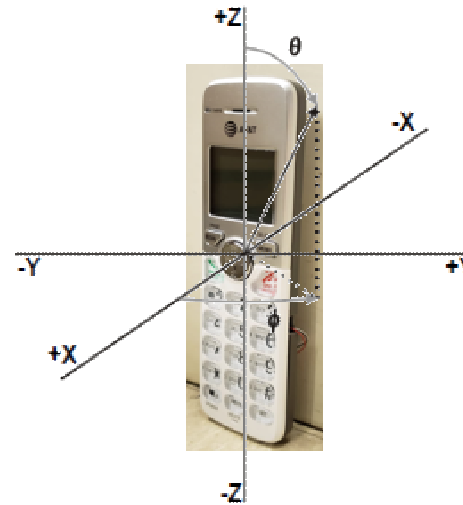
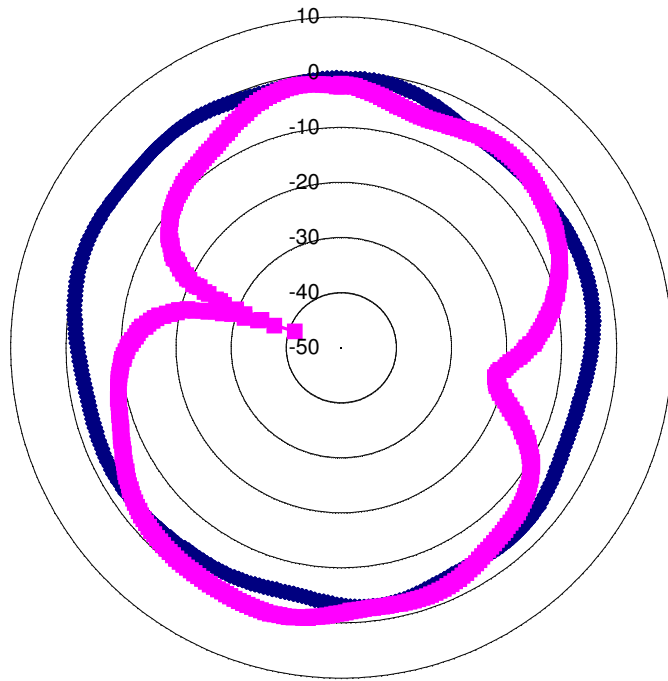
**\*NOTE: Frequency and Orientation with maximum Antenna Gain.**

Frequency: 1924.992 MHz

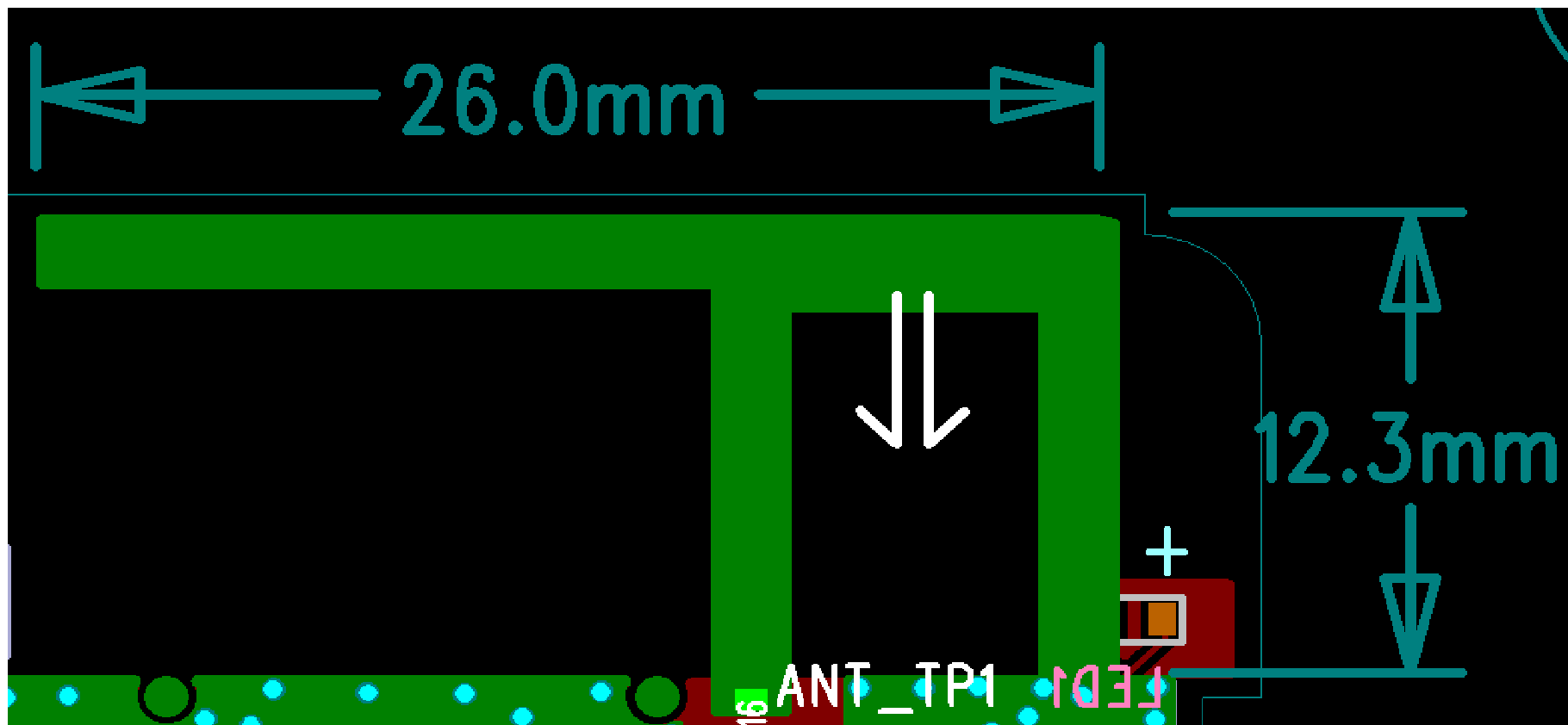
	Vertical	Horizontal
Antenna Gain (dBi)	-0.10	0.00

EL51203 Handset Radiation Pattern\_XY Plane

◆ Vertical  
■ Horizontal



EL51203 Handset Antenna Dimensions in mm



## Model: EL51203 Base Antenna 0

### Antenna description:

This wire Monopole antenna is optimized and used in the Base unit. This antenna is directly soldered to the ANT\_0 RF output in the main PCB.

Model Number	Description
EL51203 BS ANT0	1.9GHz Monopole

### Specification:

<b>Operation Frequency Range</b>	1921.536 to 1928.448 MHz
<b>Maximum Gain</b>	0 dBi
<b>Type</b>	Monopole
<b>Operation bandwidth</b>	70MHz
<b>Nominal Impedance</b>	~50 ohms
<b>Manufacturer</b>	Vtech Telecommunications Ltd
<b>Manufacturer address</b>	23/F, Tai Ping Industrial Centre, Blk1, 57 Ting Kok Road, Tai Po, Hong Kong
<b>Model number</b>	ANT-EL51203-F-DE-0

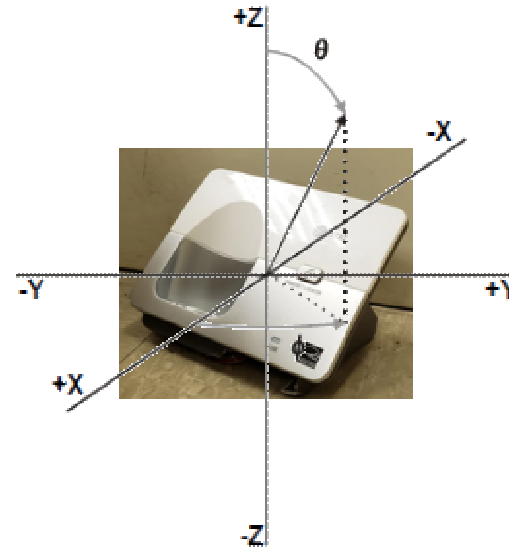
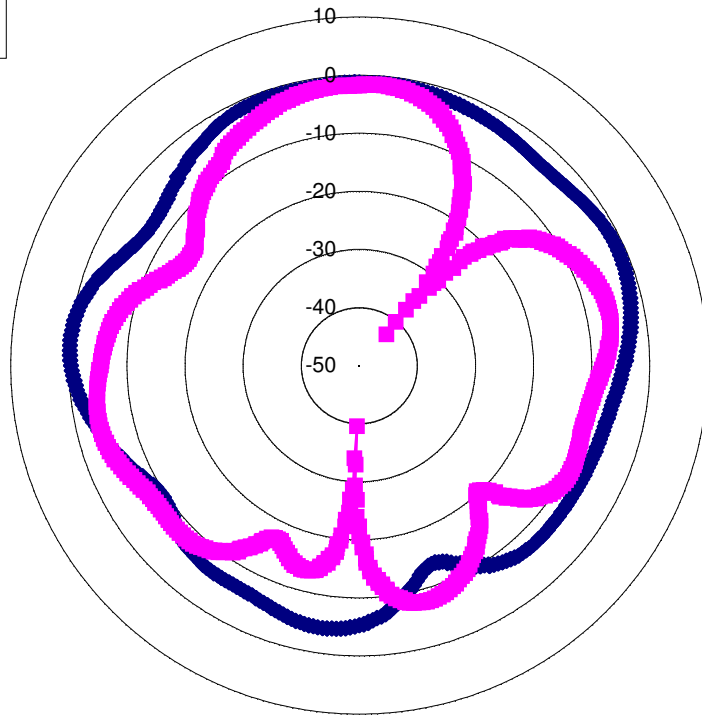
**\*NOTE: Frequency and Orientation with maximum Antenna Gain.**

Frequency: 1924.992 MHz

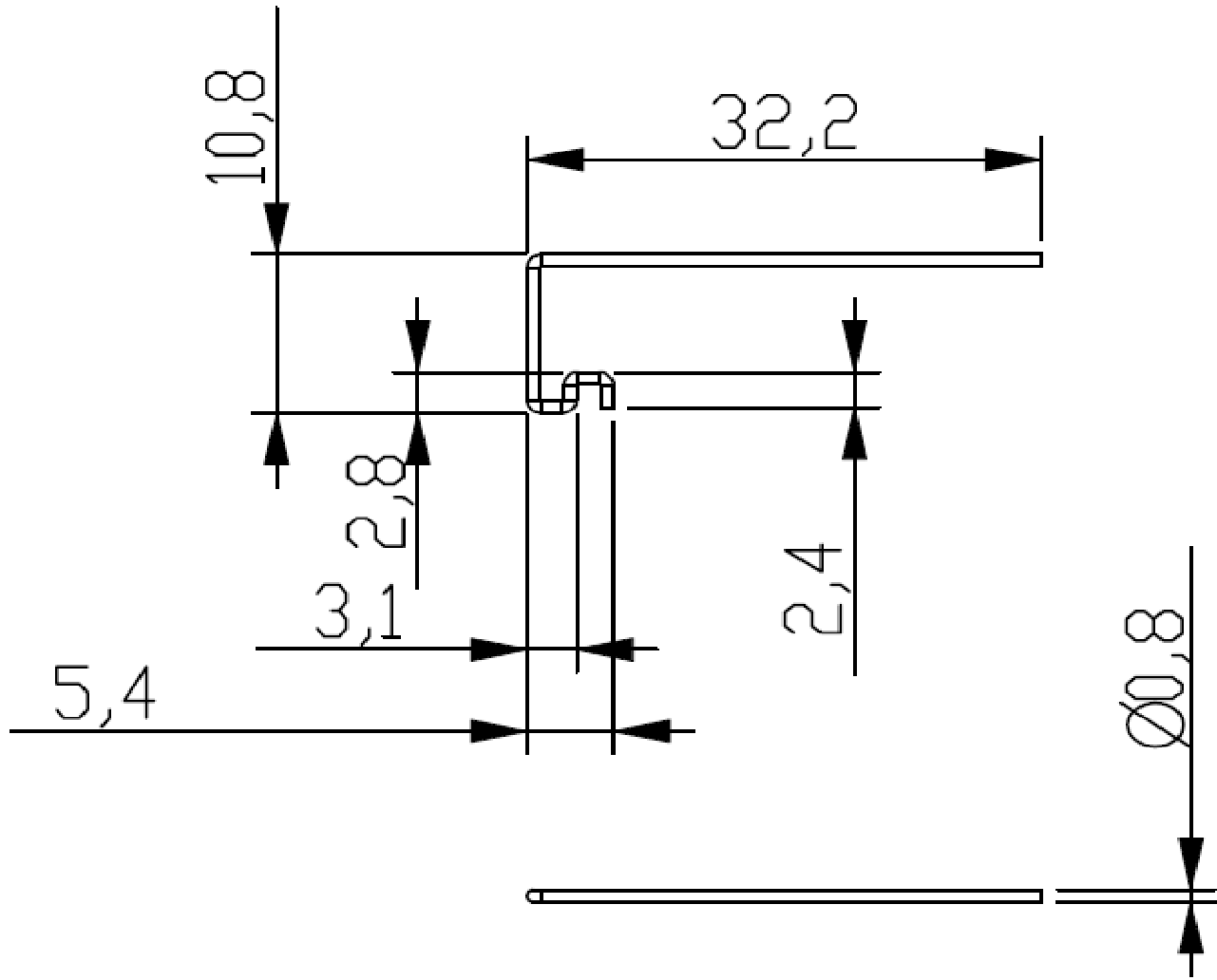
	Vertical	Horizontal
Antenna Gain (dBi)	0.00	-1.55

EL51203 BS ANT0 Radiation Pattern\_XY Plane

◆ Vertical  
■ Horizontal



EL51203 BS ANT0 Antenna Dimensions in mm



## Model: EL51203 Base Antenna 1

### Antenna description:

This wire Monopole antenna is optimized and used in the Base unit. This antenna is directly soldered to the ANT\_1 RF output in the main PCB.

Model Number	Description
EL51203 BS ANT_1	1.9GHz Monopole

### Specification:

<b>Operation Frequency Range</b>	1921.536 to 1928.448 MHz
<b>Maximum Gain</b>	0 dBi
<b>Type</b>	Monopole
<b>Operation bandwidth</b>	70MHz
<b>Nominal Impedance</b>	~50 ohms
<b>Manufacturer</b>	Vtech Telecommunications Ltd
<b>Manufacturer address</b>	23/F, Tai Ping Industrial Centre, Blk1, 57 Ting Kok Road, Tai Po, Hong Kong
<b>Model number</b>	ANT-EL51203-F-DE-1

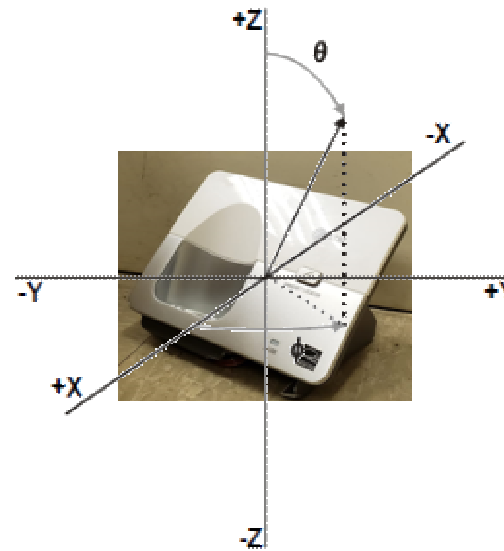
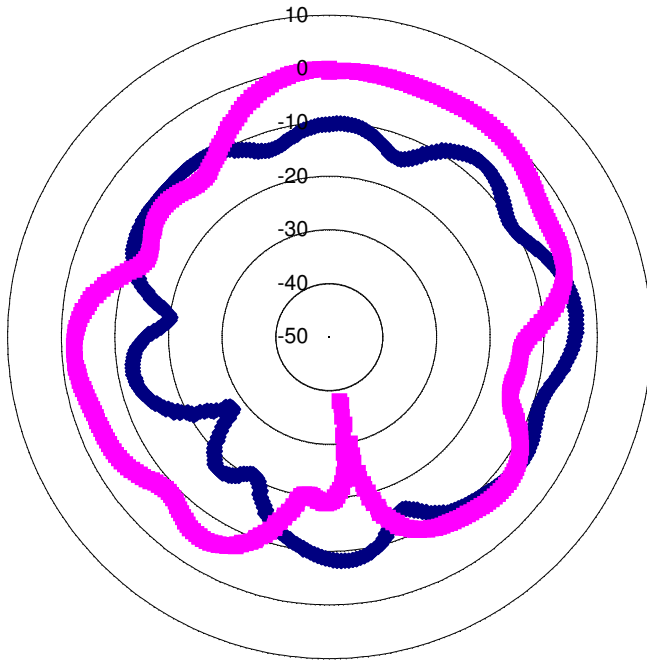
**\*NOTE: Frequency and Orientation with maximum Antenna Gain.**

Frequency: 1924.992 MHz

	Vertical	Horizontal
Antenna Gain (dBi)	-3.75	0.00

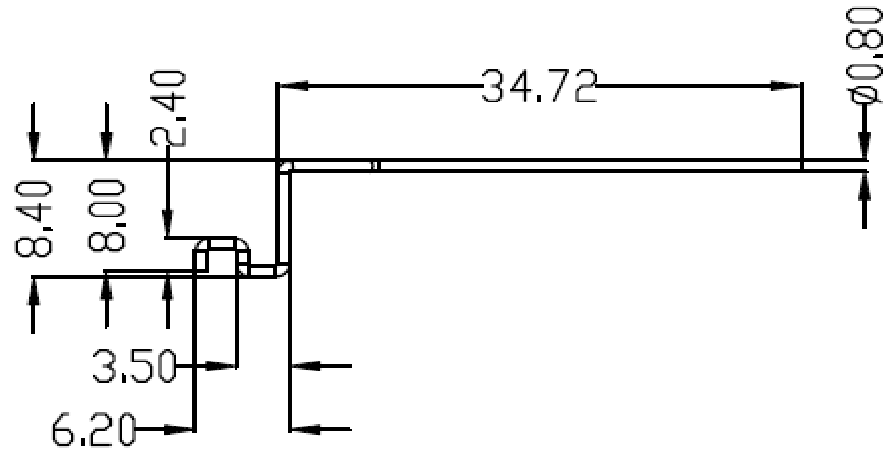
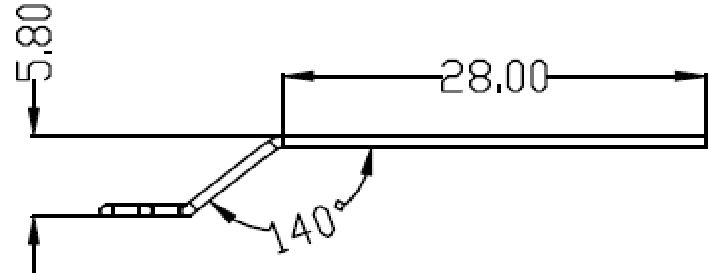
EL51203 BS ANT1 Radiation Pattern\_XY Plane

◆ Vertical  
■ Horizontal





EL51203 BS ANT1 Antenna Dimensions in mm



**Model: EL51203 Base Bluetooth Antenna**

**Antenna description:**

This printed F antenna is optimized and used in the Base unit. This antenna is directly soldered to the Bluetooth RF output in the main PCB.

Model Number	Description
EL51203 BS BT ANT	2.4GHz Printed F Antenna

**Specification:**

<b>Operation Frequency Range</b>	2402 to 2480 MHz
<b>Maximum Gain</b>	-1 dBi
<b>Type</b>	Printed F Antenna
<b>Operation bandwidth</b>	90MHz
<b>Nominal Impedance</b>	~50 ohms
<b>Manufacturer</b>	Vtech Telecommunications Ltd
<b>Manufacturer address</b>	23/F, Tai Ping Industrial Centre, Blk1, 57 Ting Kok Road, Tai Po, Hong Kong
<b>Model number</b>	ANT-EL51203-F-BT-0

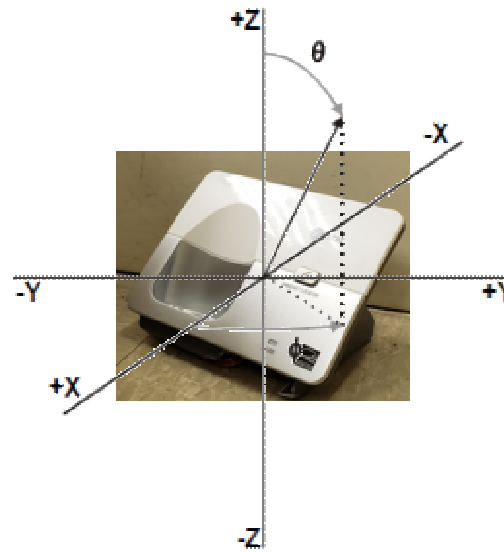
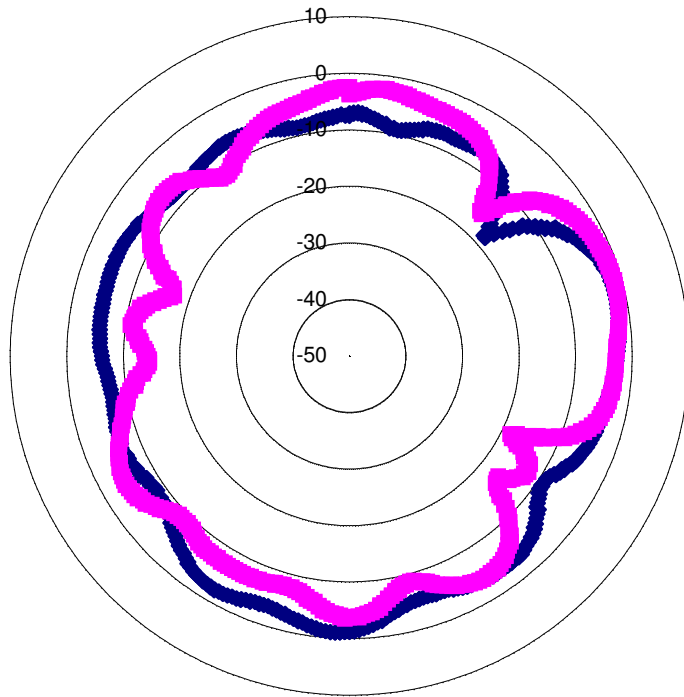
**\*NOTE: Frequency and Orientation with maximum Antenna Gain.**

Frequency: 2440MHz

	Vertical	Horizontal
Antenna Gain (dBi)	-1.00	-1.28

EL51203 BS BT Radiation Pattern\_XY Plane

◆ Vertical  
■ Horizontal



EL51203 BS BT Antenna Dimensions in mm

