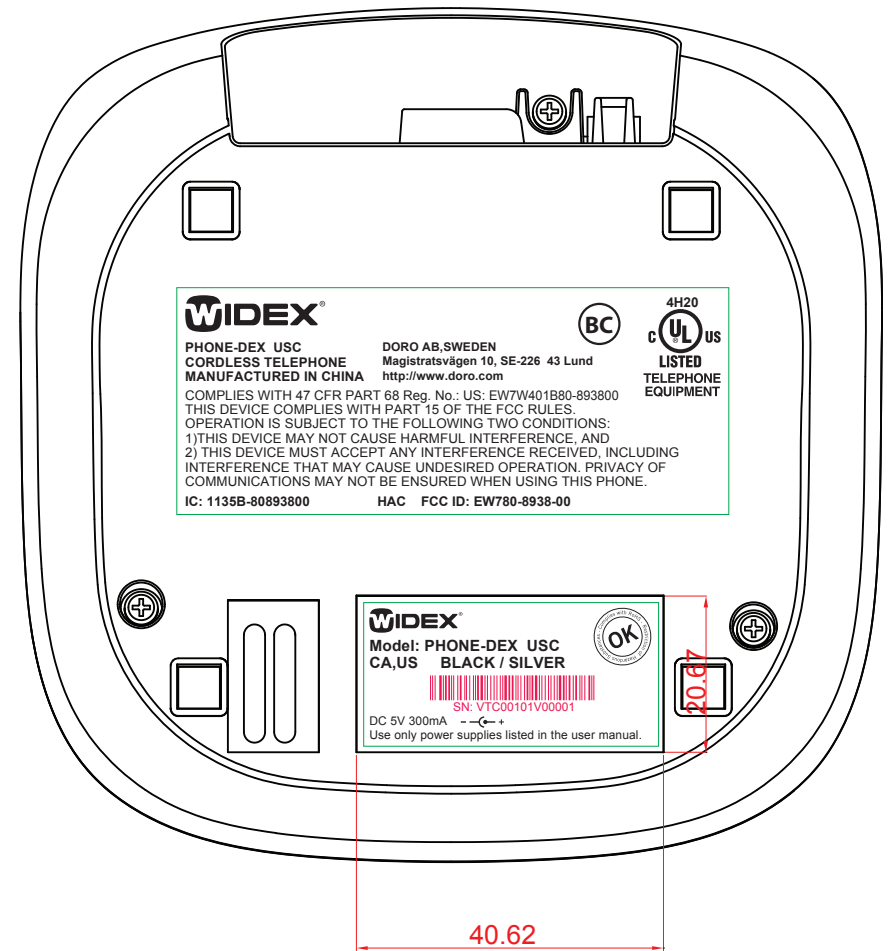
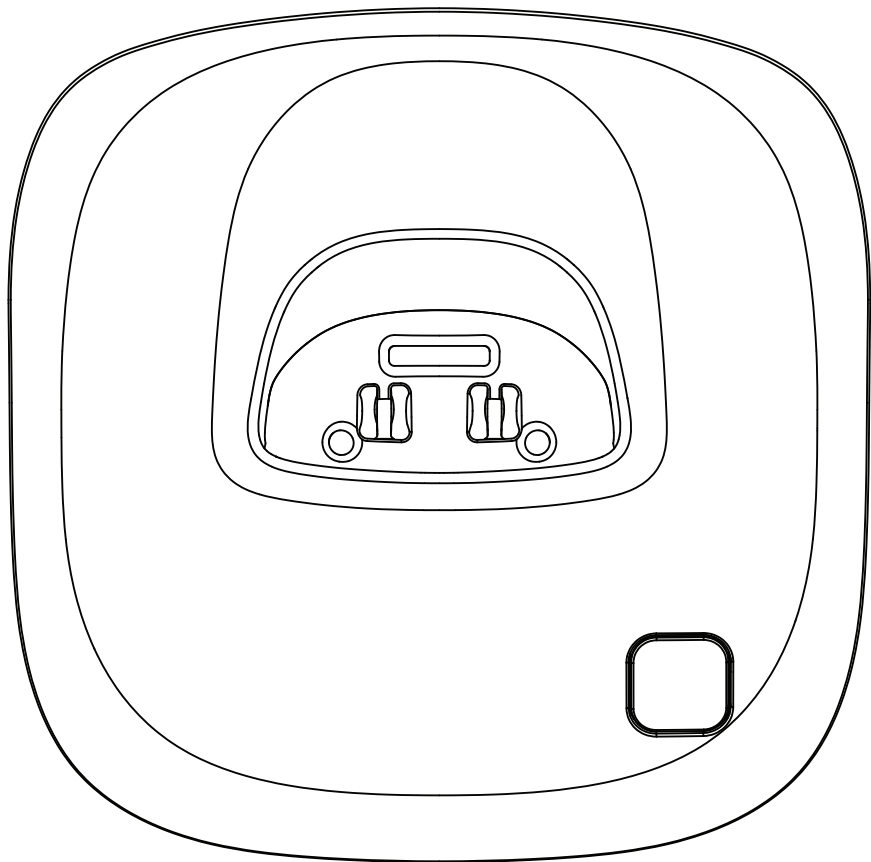


BS

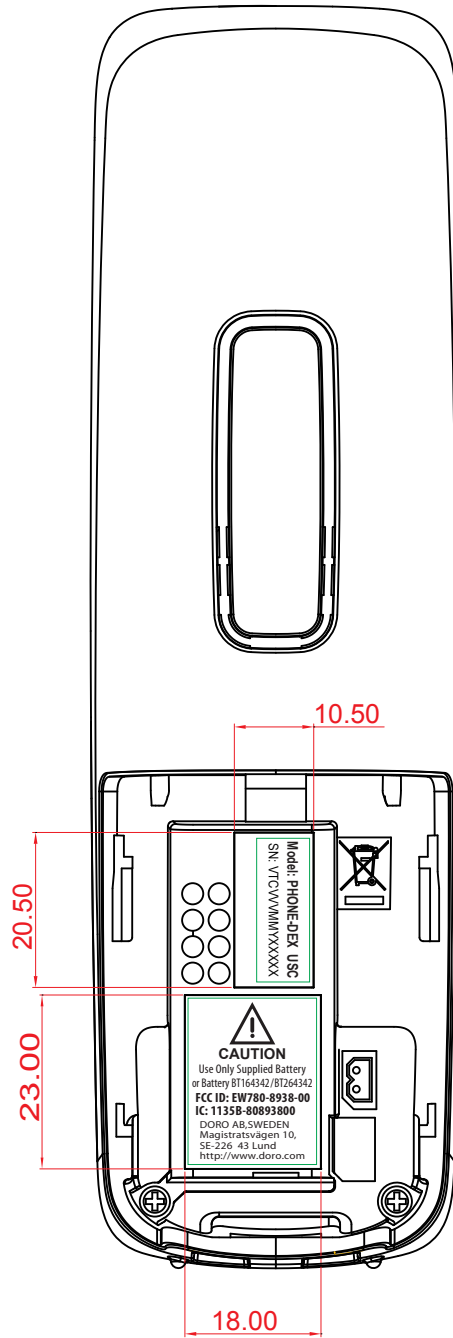


**BS SN. LBL**  
92-0XXXXX-010-100  
MAT: 50# PET  
SIZE: 39X19 mm



**BS LBL**  
92-024619-010-100  
MAT: 50# PET  
SIZE: 73X30 mm

# HS



  
**CAUTION**  
Use Only Supplied Battery  
or Battery BT164342/BT264342  
**FCC ID: EW780-8938-00**  
**IC: 1135B-80893800**  
DORO AB, SWEDEN  
Magistratsvägen 10,  
SE-226 43 Lund  
<http://www.doro.com>

**HS CAUTION LBL**  
92-0XXXXX-010-100  
MAT: 80G WHT ART PAPER  
SIZE: 17X22 mm

Model: PHONE-DEX USC  
SN: VTCVMMMYXXXXX

**HS SN. LBL**  
92-0XXXXX-010-100  
MAT: 80G WHT ART PAPER  
SIZE: 19X7 mm