

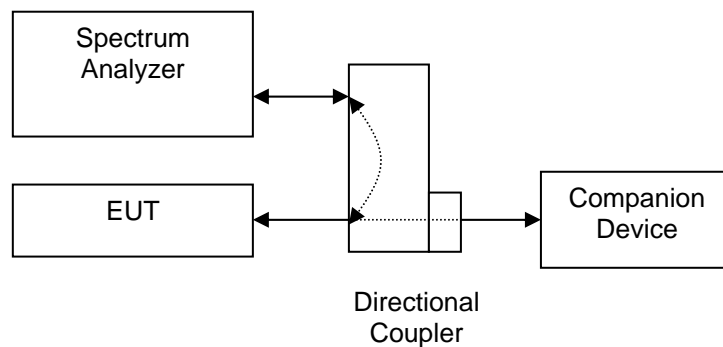
---

## INTERTEK TESTING SERVICES

---

For Maximum Permissible Exposure (MPE) evaluation of the base unit, the maximum power density at 20 cm from this mobile transmitter shall be less than the General Population / Uncontrolled MPE limit in OET Bulletin 65 and meet the requirement listed in KDB447498.

The setup and equipment setting were made in accordance with ANSI C63.17. The antenna of EUT transmitter was replaced by a coaxial cable. The impedance matching of connection, cable loss and external RF attenuator are taken into account. The EUT was arranged to communicate via a fixed carrier frequency between its transmitter and a companion device. The transmission was configured in burst mode with pseudo-random data as typical as normal operation.



For the 1.9GHz DECT 6.0 Base unit of tested model: IS7121-2, the measured powers among all the measured channels were within its production tolerance: +16 dBm (Minimum) and +21 dBm (Maximum). The antenna gain of IS7121-2 is 0 dBi = 1.00 (num gain) and its maximum source-based time-averaging duty factor is 33.3% (8/24 x100%). From these data and its operating configuration – Mobile device, the exposed power density at a distance (R) of 20cm from the center of radiation of the antenna can be calculated according to OET Bulletin 65 as follow:

$$\begin{aligned} \text{The Conducted Power} &= 21 \text{ dBm} \\ &= 125.9 \text{ mW} \end{aligned}$$

$$\begin{aligned} \text{The Conducted Power source-based time-averaging output power} \\ &= (125.9 * 0.333) \text{ mW} \\ &= 41.92 \text{ mW} \end{aligned}$$

$$\begin{aligned} \text{The power density at 20cm} &= 41.92 * 1.00 / 4\pi R^2 \\ &= 0.0084 \text{ mW cm}^{-2} \end{aligned}$$

In the frequency range of 1,500 - 100,000MHz, the MPE limit is 1.0 mWcm<sup>-2</sup> for general population and uncontrolled exposure. As the measured power density at 20cm from the transmitter is lower than the MPE limit, the compliance to the MPE limit can be ensured by indicating the minimum 20cm separation between the transmitter's radiating structures and body of the user or nearby persons.

The following RF exposure statement is proposed to be included in the user manual:

**“ FCC RF Radiation Exposure Statement**

**Caution: To maintain compliance with the FCC’s RF exposure guidelines, place the base unit at least 20cm from nearby persons.”**