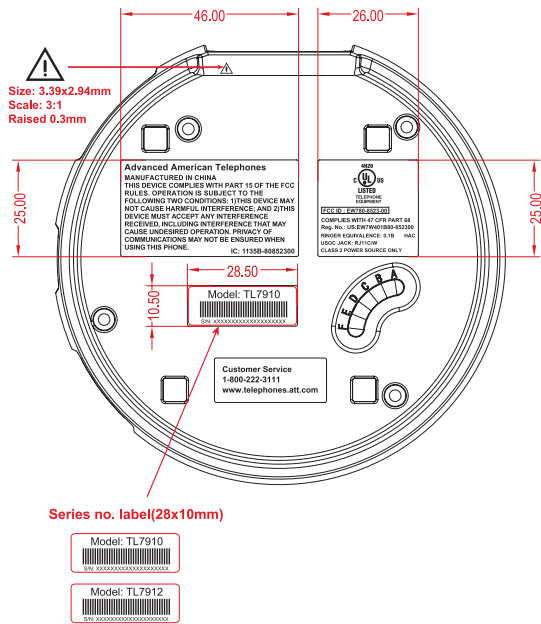
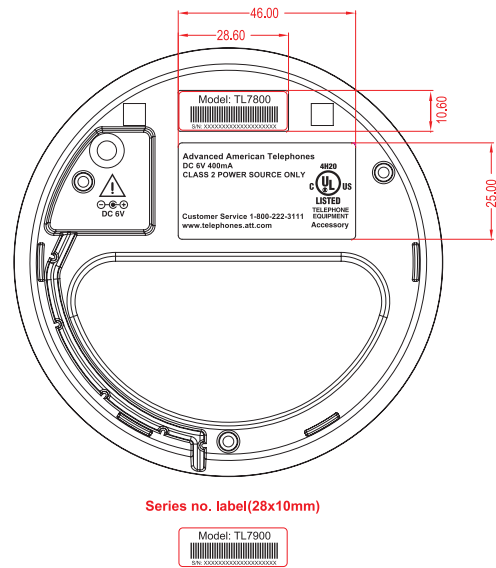


TL79xx engraving file

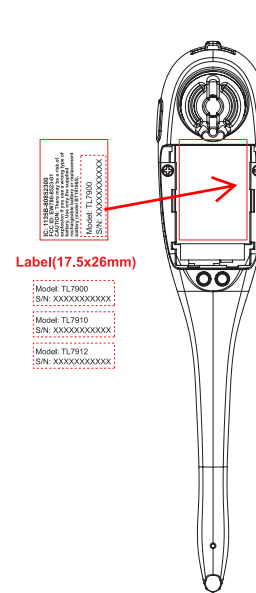
BS



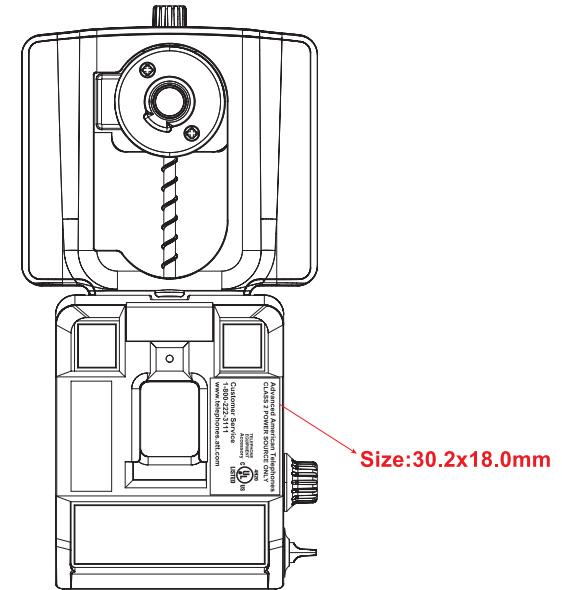
Charger



Headset

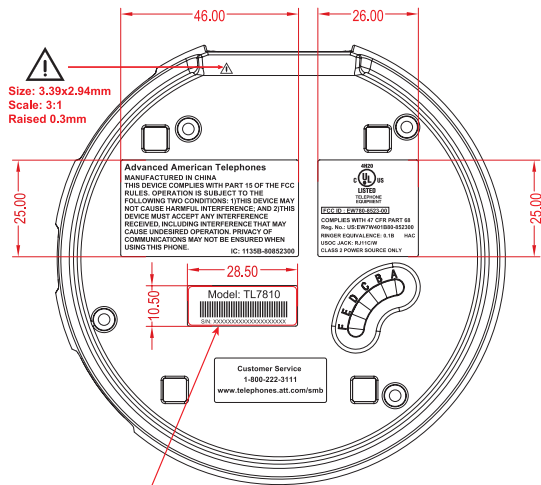


Lifter

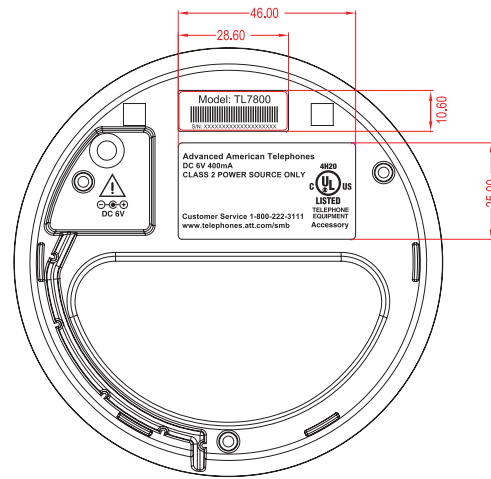


TL78xx & HC88xx engraving file

BS



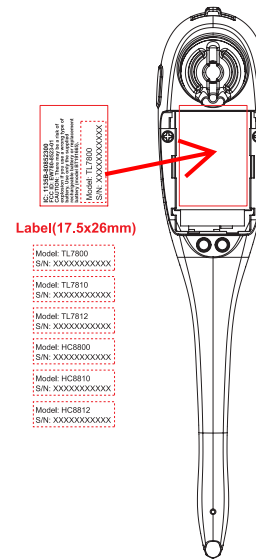
Charger



Series no. label(28x10mm)



Headset



Lifter

