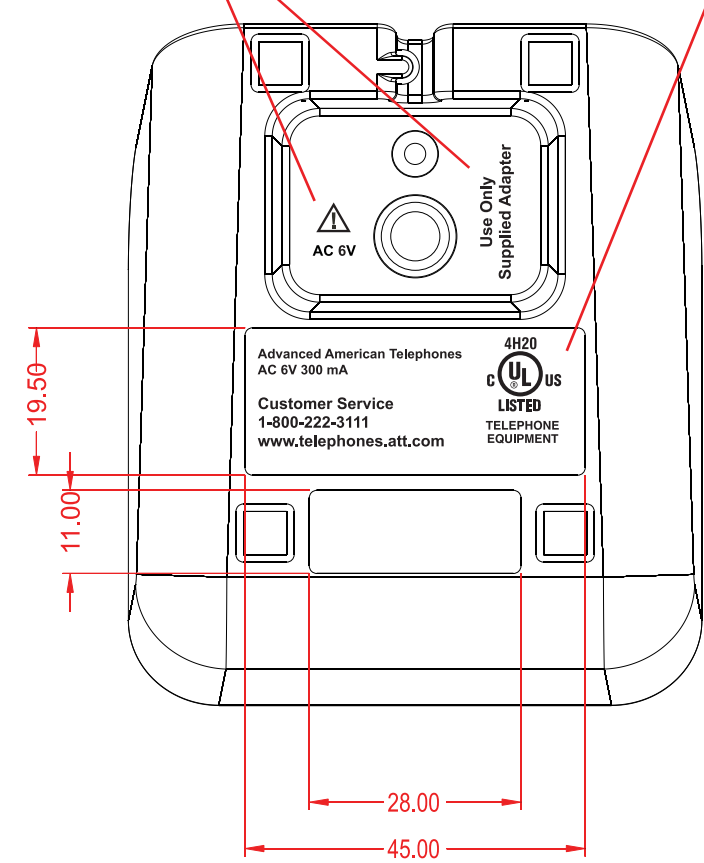


CL84xx2 Engraving draft file

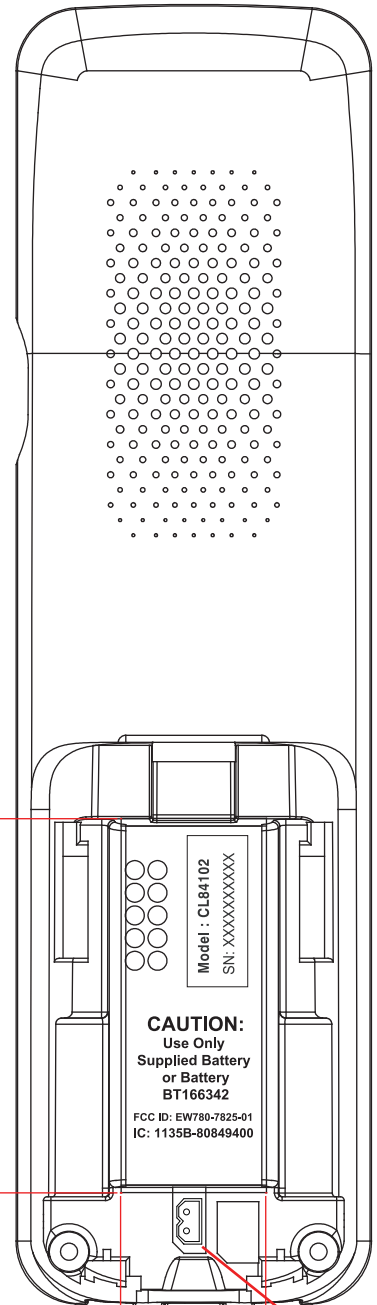
- 1.CL84102(1BS + 1CORDED HS + 1 CORDLESS HS + 1CH)
- 2.CL84202(1BS + 1CORDED HS + 2 CORDLESS HS + 2CH)
- 3.CL84352(1BS + 1CORDED HS + 3 CORDLESS HS + 3CH)

Text: engraved in raised 0.3mm

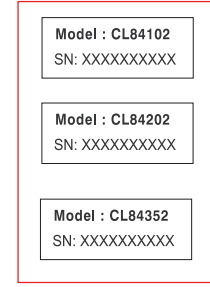
Text: engraved in recessed 0.3mm depth, text surface in high gloss



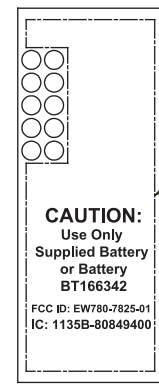
Charger for Model : CL84102
CL84202
CL84352



Text:Recessed 0.3mm High Gloss



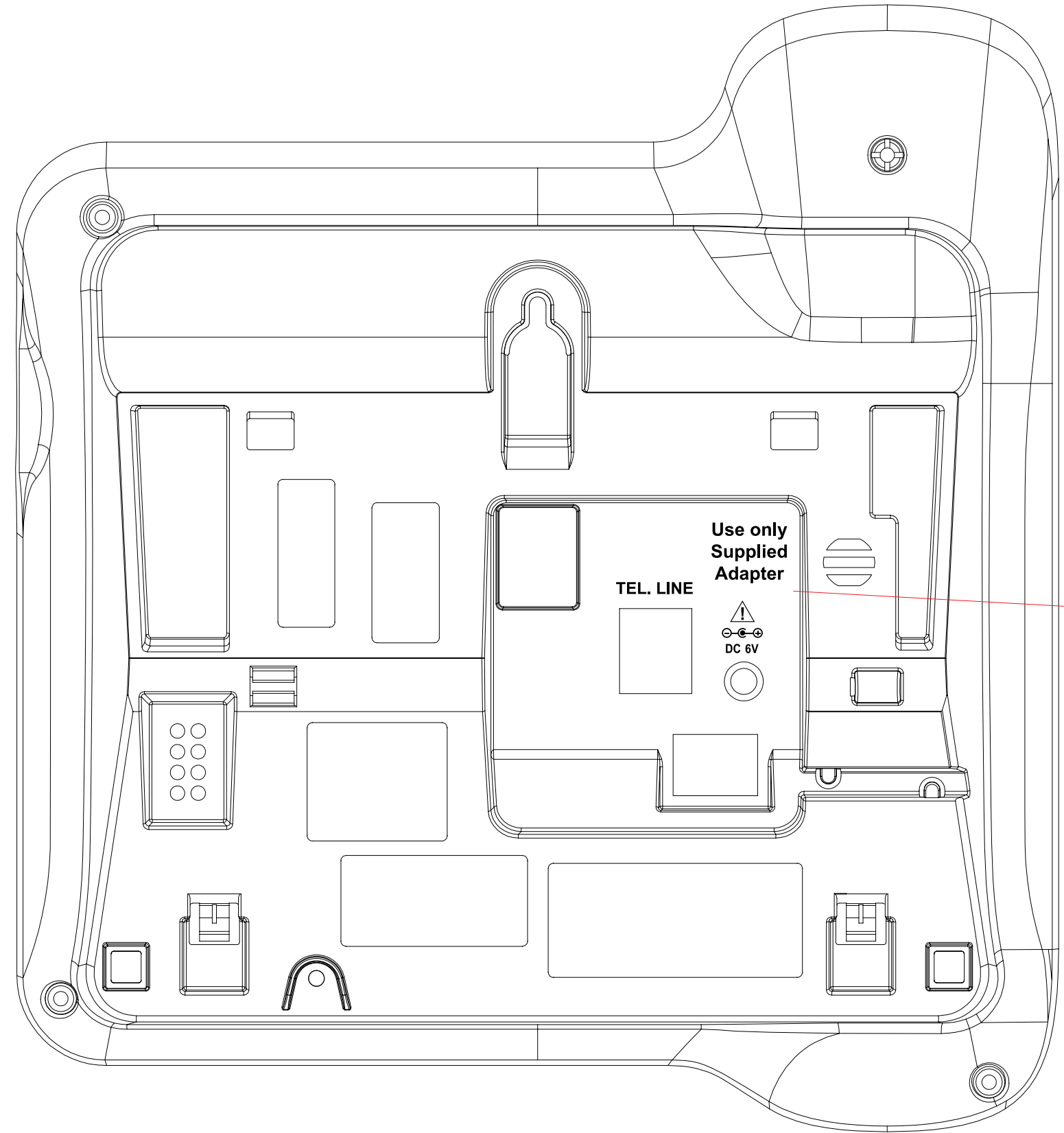
HS BATT
CAUTION LABEL



Serial No. Label 20*10 MM

CHARGER

HS



BASE



Serial no. label

Text : Recessed 0.3mm High Gloss

