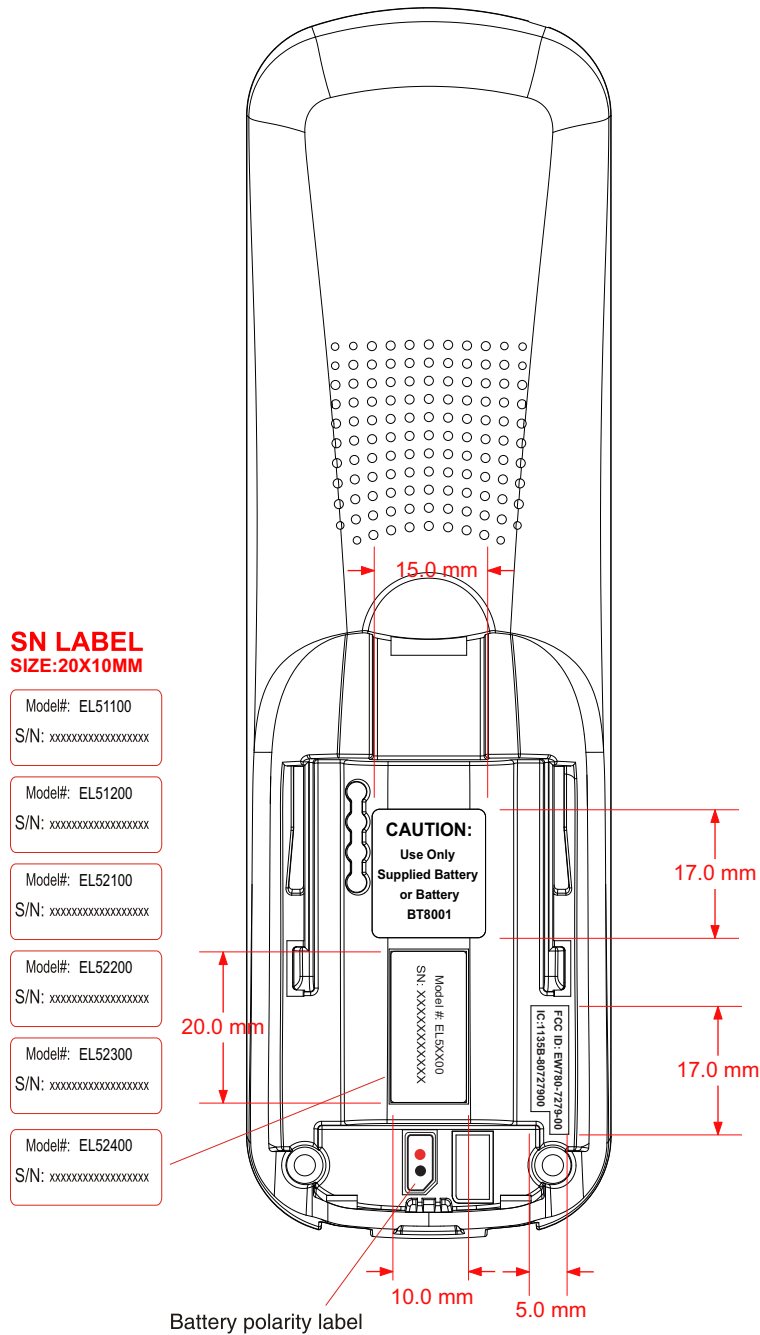


EL5xx00 Engraving draft file

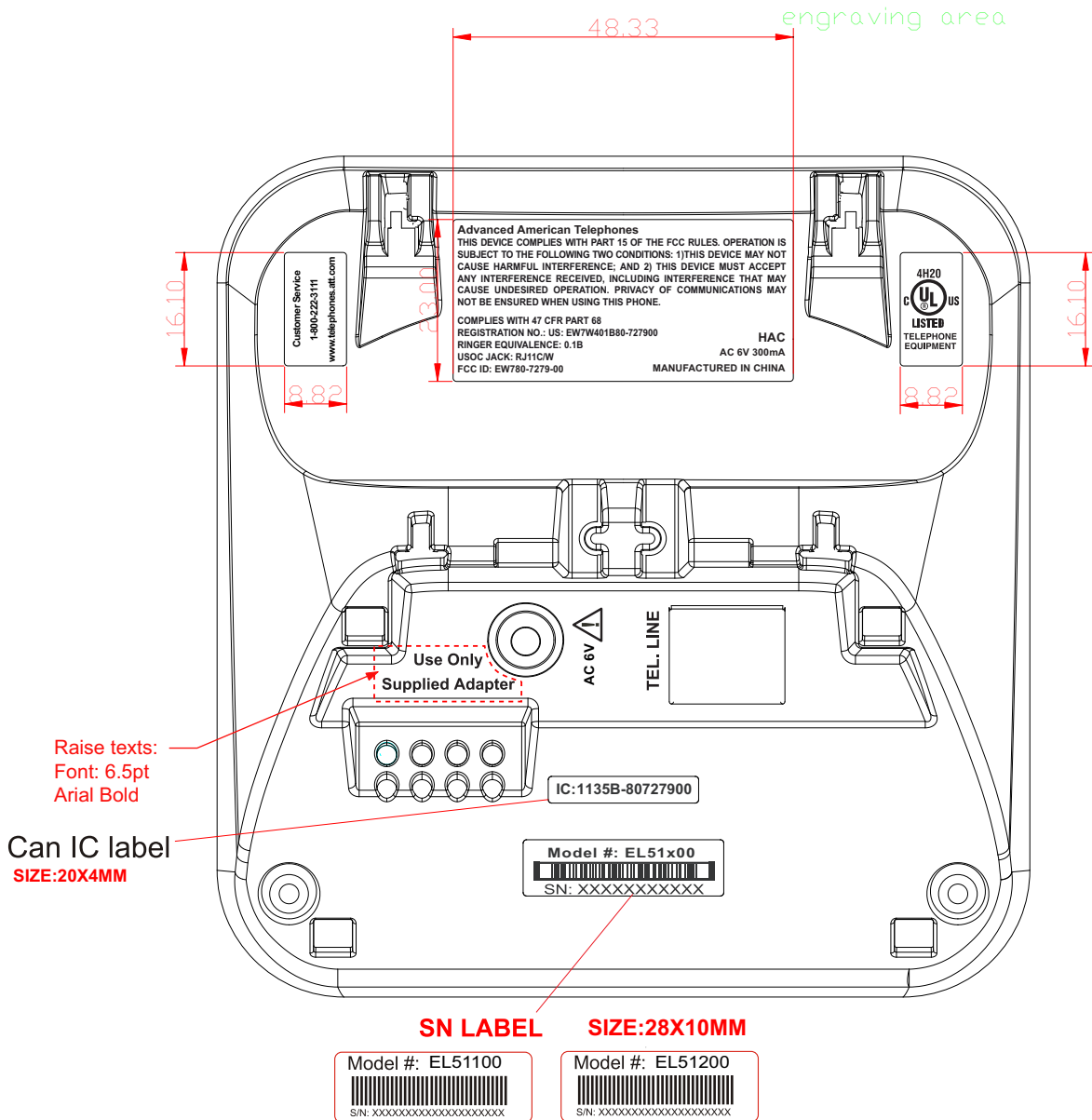
HS Rear

(For EL51100/EL51200/EL52100/EL52200/EL52300/EL52400)



EL5xx00 Engraving draft file

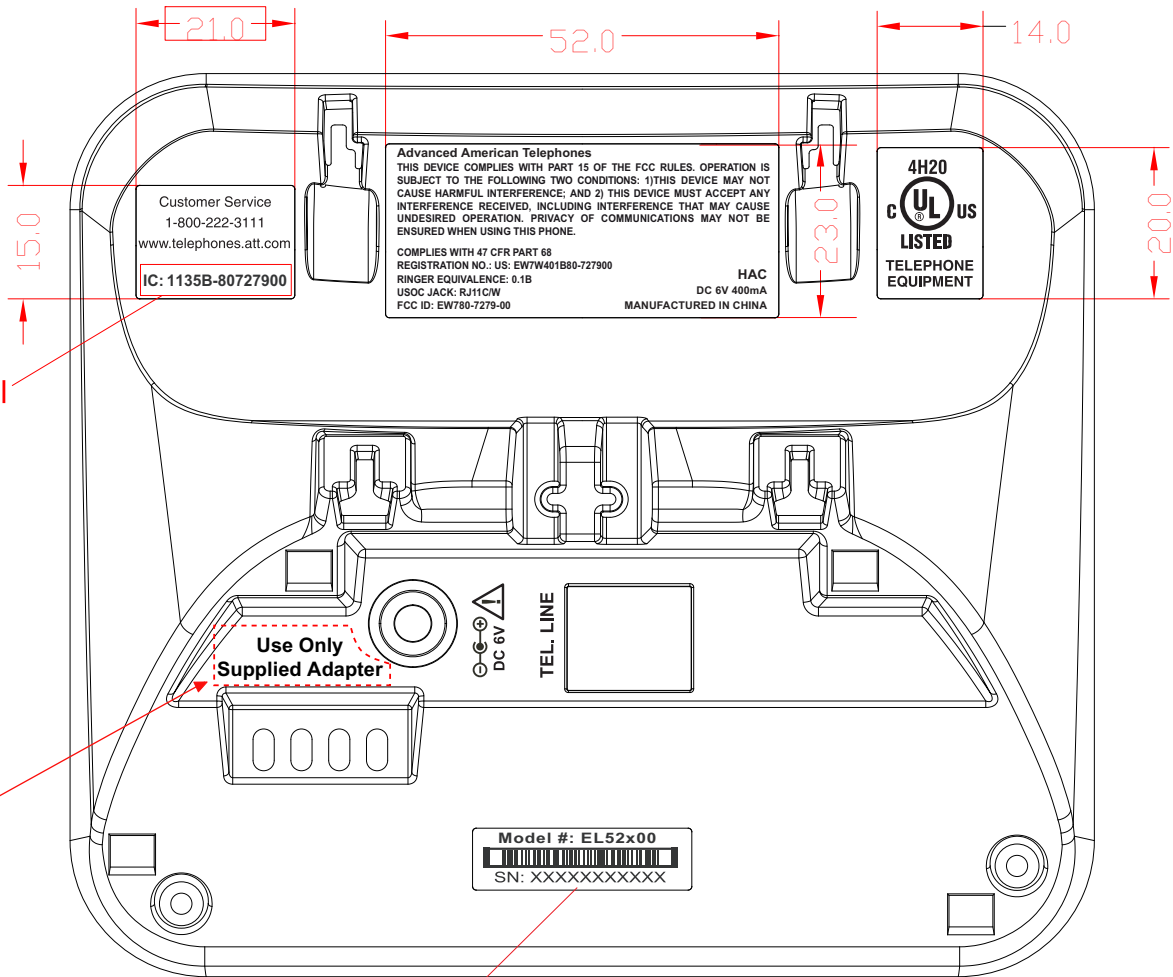
c-BS BTM (For EL51100/EL51200)



EL5xx00 Engraving draft file

ci-BS BTM

(For EL52100/EL52200/EL52300/EL52400)



Can IC label
SIZE:20X4MM

Raise texts:
Font: 7.5pt
Arial Bold

SN LABEL SIZE:28X10MM

