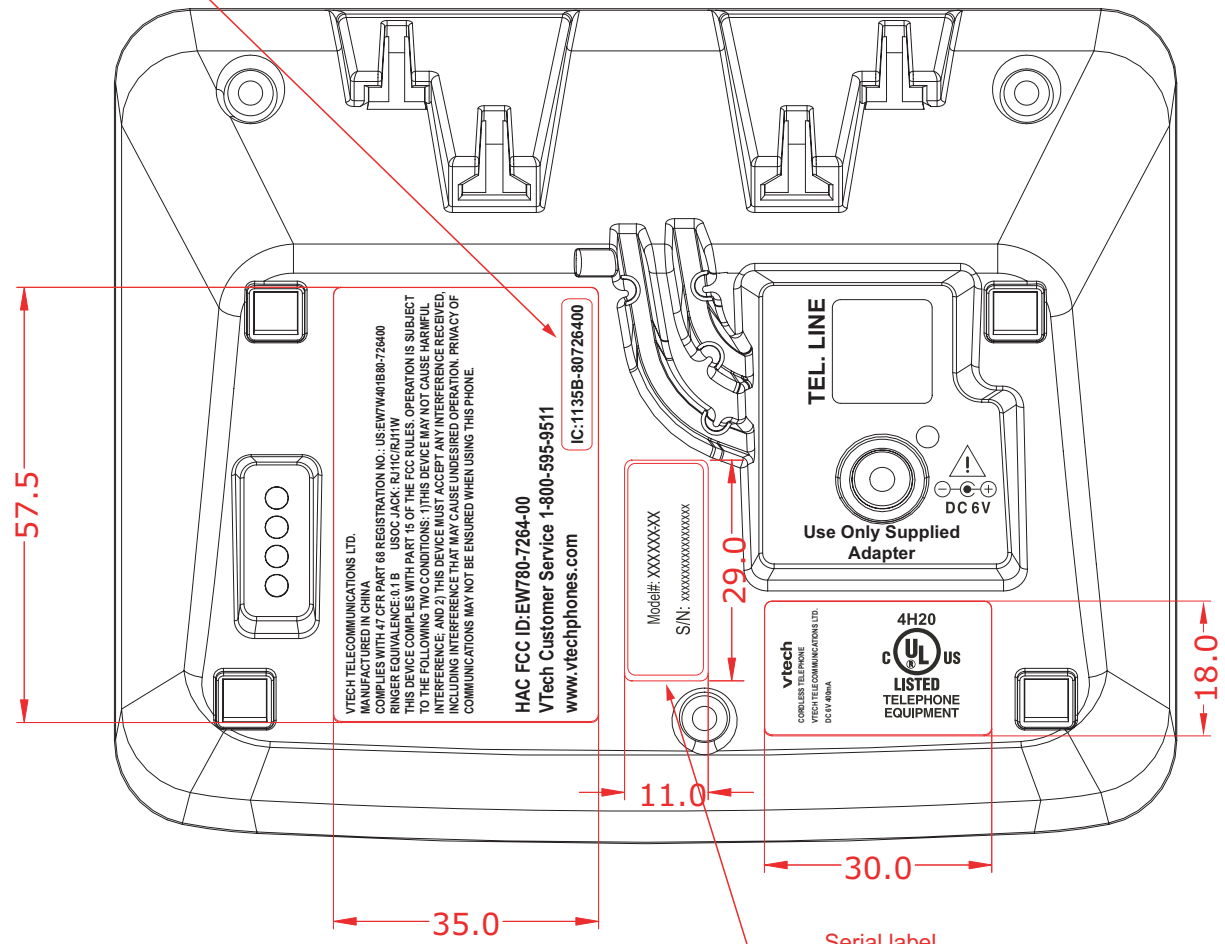


# DS6311 C BS

IC label  
IC:1135B-80726400  
Size: 20X4mm



Serial label  
Model#: DS6311-2  
S/N: xxxxxxxxxxxxxxxxx  
Size: 20X10mm

VTECH TELECOMMUNICATIONS LTD.  
MANUFACTURED IN CHINA  
COMPLIES WITH 47 CFR PART 68 REGISTRATION NO.: US:EW780-7264-00  
RINGER EQUIVALENCE:0.1B USOC JACK: RJ11C/RJ11W  
THIS DEVICE COMPLIES WITH PART 15 OF THE FCC RULES. OPERATION IS SUBJECT  
TO THE FOLLOWING TWO CONDITIONS: 1)THIS DEVICE MAY NOT CAUSE HARMFUL  
INTERFERENCE, AND 2) THIS DEVICE MUST ACCEPT ANY INTERFERENCE RECEIVED,  
INCLUDING INTERFERENCE THAT MAY CAUSE UNDESIRABLE OPERATION. PRIVACY OF  
COMMUNICATIONS MAY NOT BE ENSURED WHEN USING THIS PHONE.

HAC FCC ID:EW780-7264-00  
Vtech Customer Service 1-800-595-9511  
www.Vtechphones.com

Model#: XXXXXX-XX  
S/N: xxxxxxxxxxxxxxxxx

vtech  
CORDLESS TELEPHONE  
VTECH TELECOMMUNICATIONS LTD.  
DC 6V 400mA

4H20  
UL  
US  
LISTED  
TELEPHONE  
EQUIPMENT

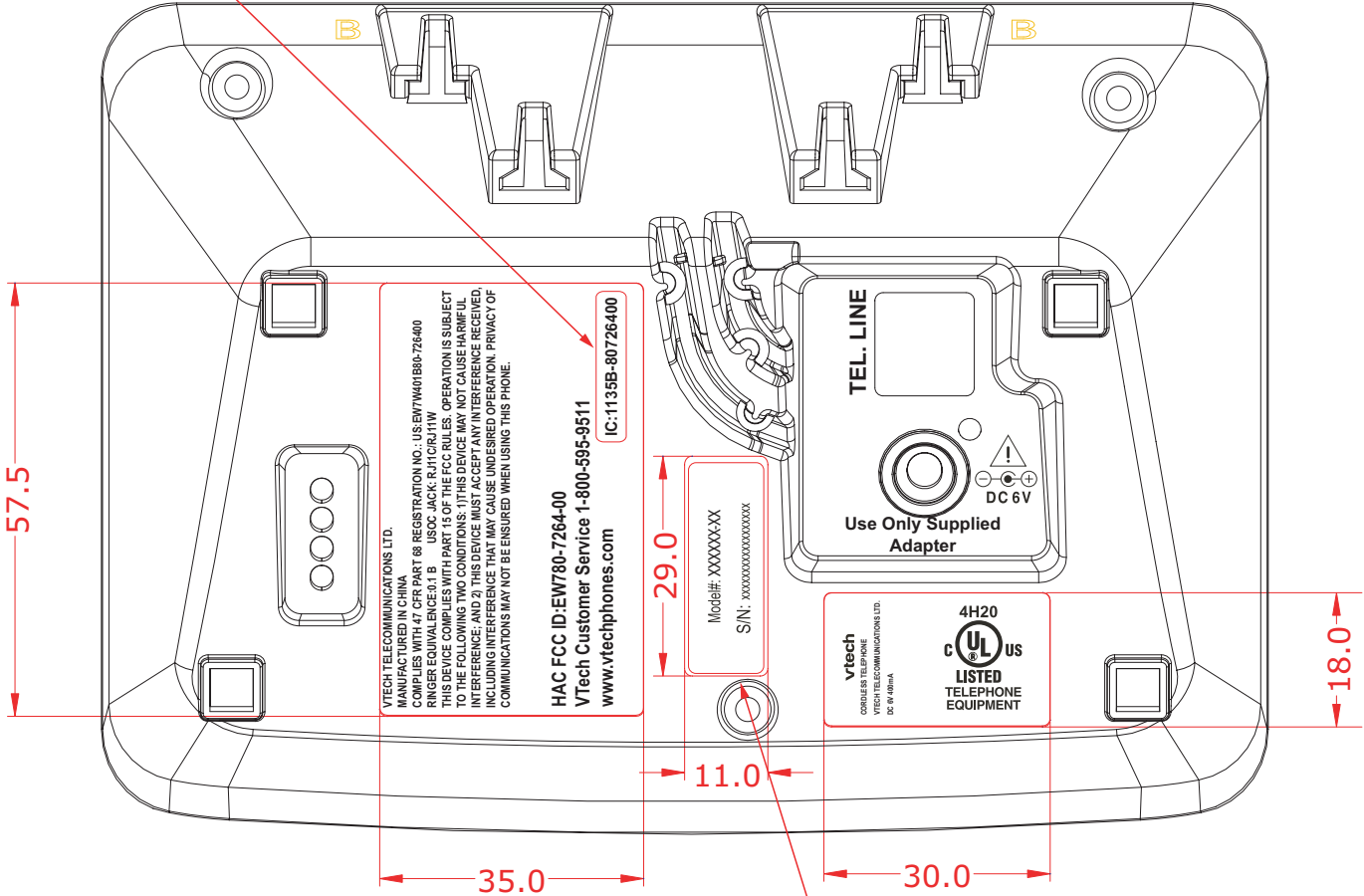
TEL. LINE

DC 6V

Use Only Supplied Adapter

# DS6321 Ci BS

IC label  
 IC:1135B-80726400  
 Size: 20X4mm



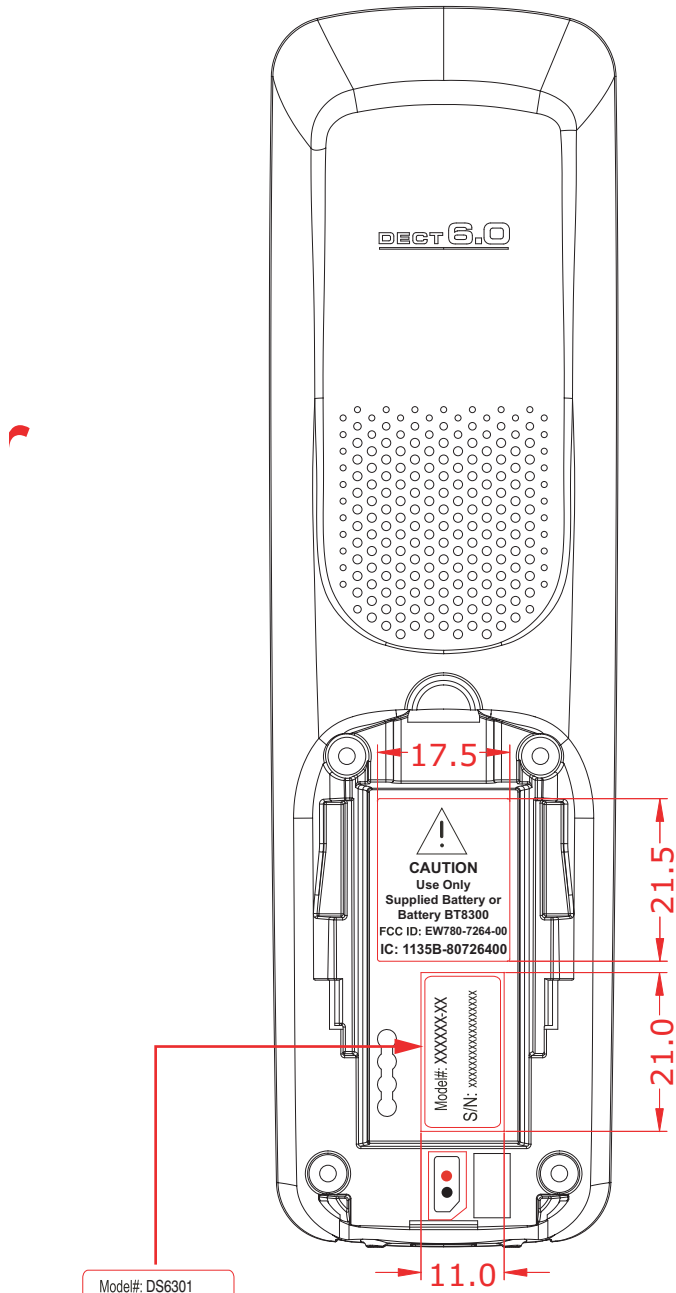
IC label

Serial label

Model#: DS6321-2 S/N: xxxxxxxxxxxxxxxxx	Model#: DS6321-4 S/N: xxxxxxxxxxxxxxxxx
Model#: DS6321-3 S/N: xxxxxxxxxxxxxxxxx	Model#: DS6322-3 S/N: xxxxxxxxxxxxxxxxx

Size: 20X10mm

# DS63XX HS



- Model#: DS6301  
S/N: xxxxxxxxxxxxxxxxxxxx
- Model#: DS6311-2  
S/N: xxxxxxxxxxxxxxxxxxxx
- Model#: DS6321-2  
S/N: xxxxxxxxxxxxxxxxxxxx
- Model#: DS6321-3  
S/N: xxxxxxxxxxxxxxxxxxxx
- Model#: DS6321-4  
S/N: xxxxxxxxxxxxxxxxxxxx
- Model#: DS6322-3  
S/N: xxxxxxxxxxxxxxxxxxxx