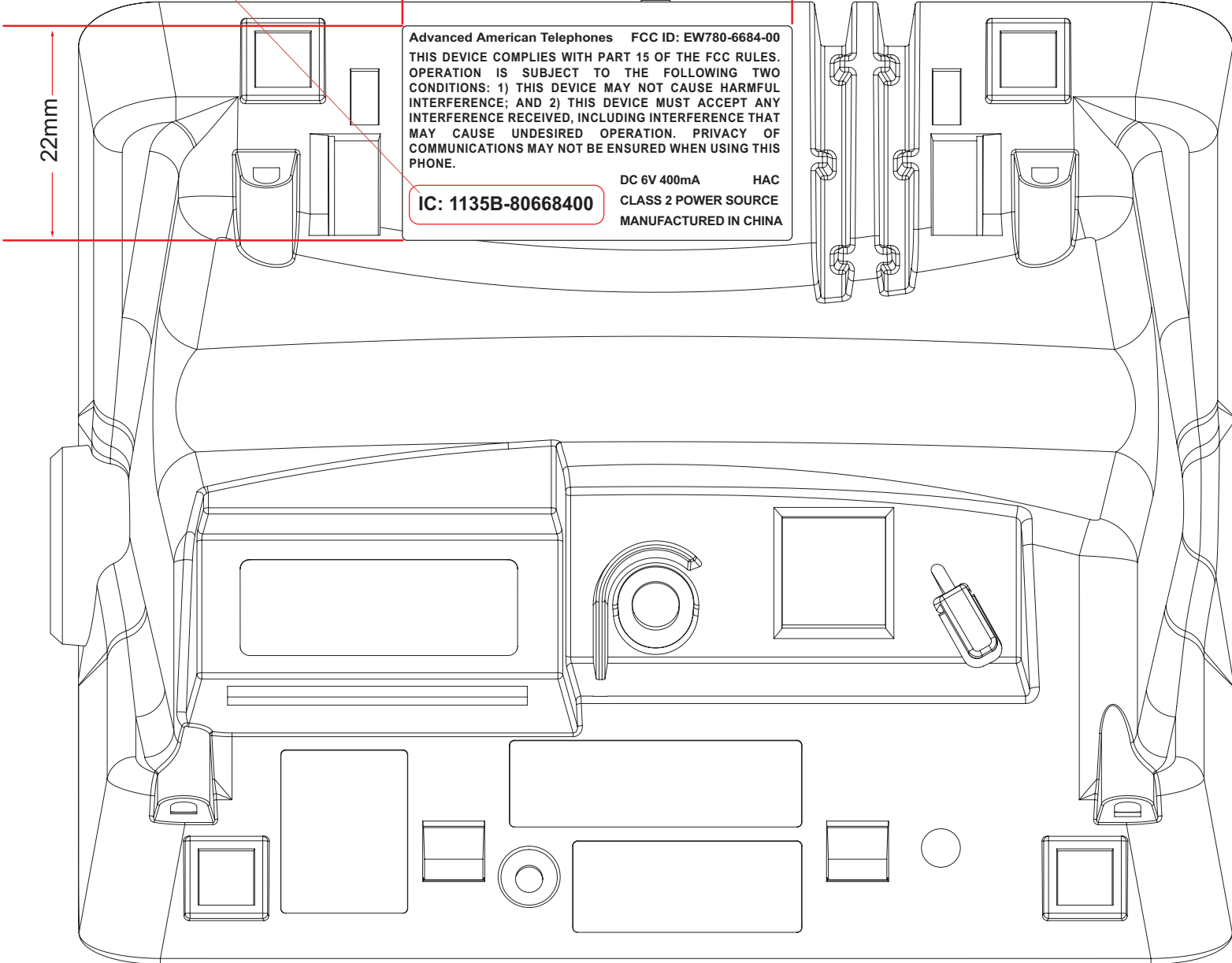


**CAN IC Lable
20X4mm**

← 40mm →

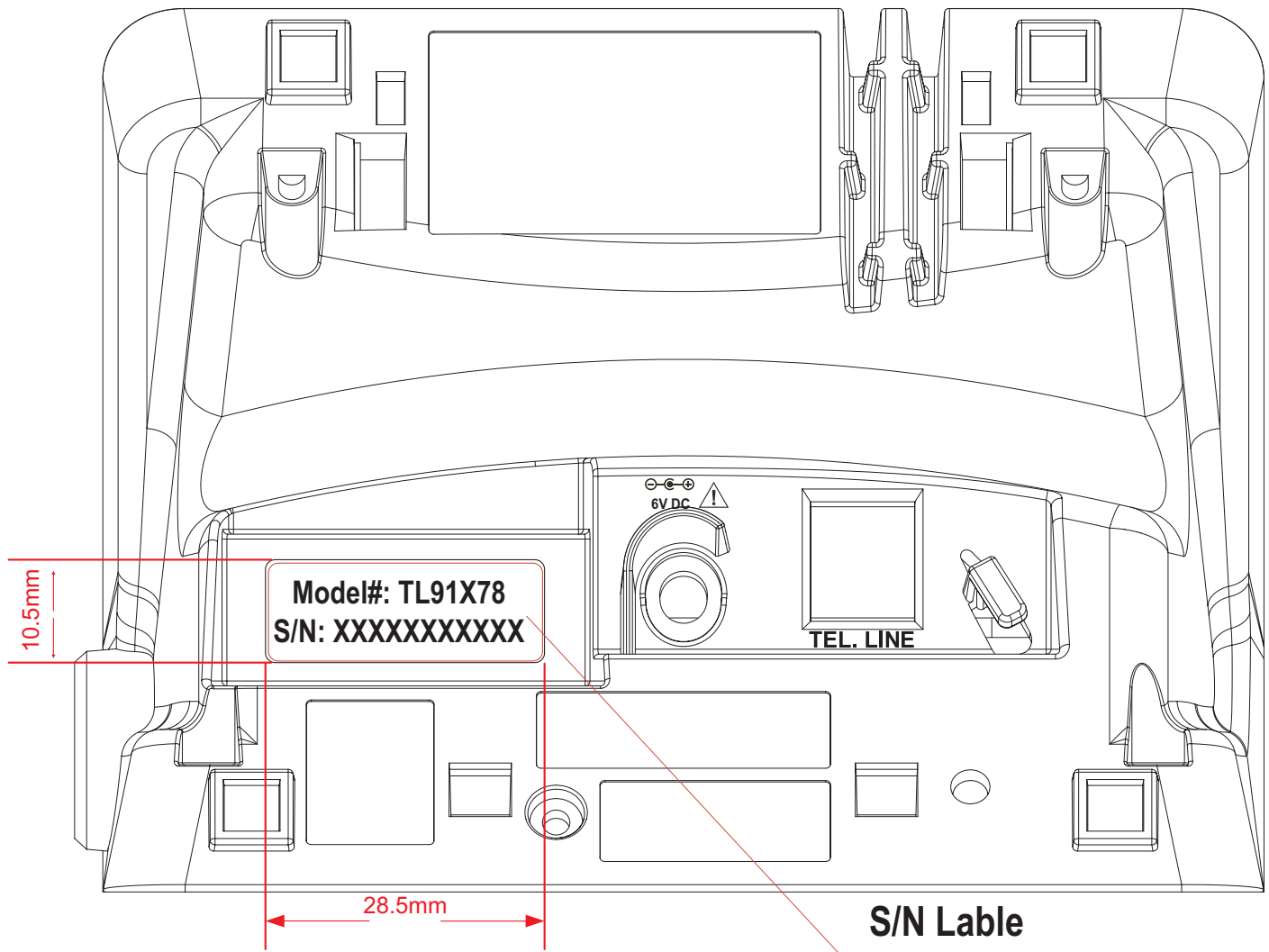


22mm

Advanced American Telephones FCC ID: EW780-6684-00
THIS DEVICE COMPLIES WITH PART 15 OF THE FCC RULES.
OPERATION IS SUBJECT TO THE FOLLOWING TWO
CONDITIONS: 1) THIS DEVICE MAY NOT CAUSE HARMFUL
INTERFERENCE; AND 2) THIS DEVICE MUST ACCEPT ANY
INTERFERENCE RECEIVED, INCLUDING INTERFERENCE THAT
MAY CAUSE UNDESIRED OPERATION. PRIVACY OF
COMMUNICATIONS MAY NOT BE ENSURED WHEN USING THIS
PHONE.

IC: 1135B-80668400

DC 6V 400mA HAC
CLASS 2 POWER SOURCE
MANUFACTURED IN CHINA



Model#: TL91X78
S/N: XXXXXXXXXXXX

6V.DC

TEL. LINE

10.5mm

28.5mm

S/N Lable
28X10mm

Model#: TL91178
S/N: XXXXXXXXXXXX

Model#: TL91278
S/N: XXXXXXXXXXXX

Model#: TL91378
S/N: XXXXXXXXXXXX