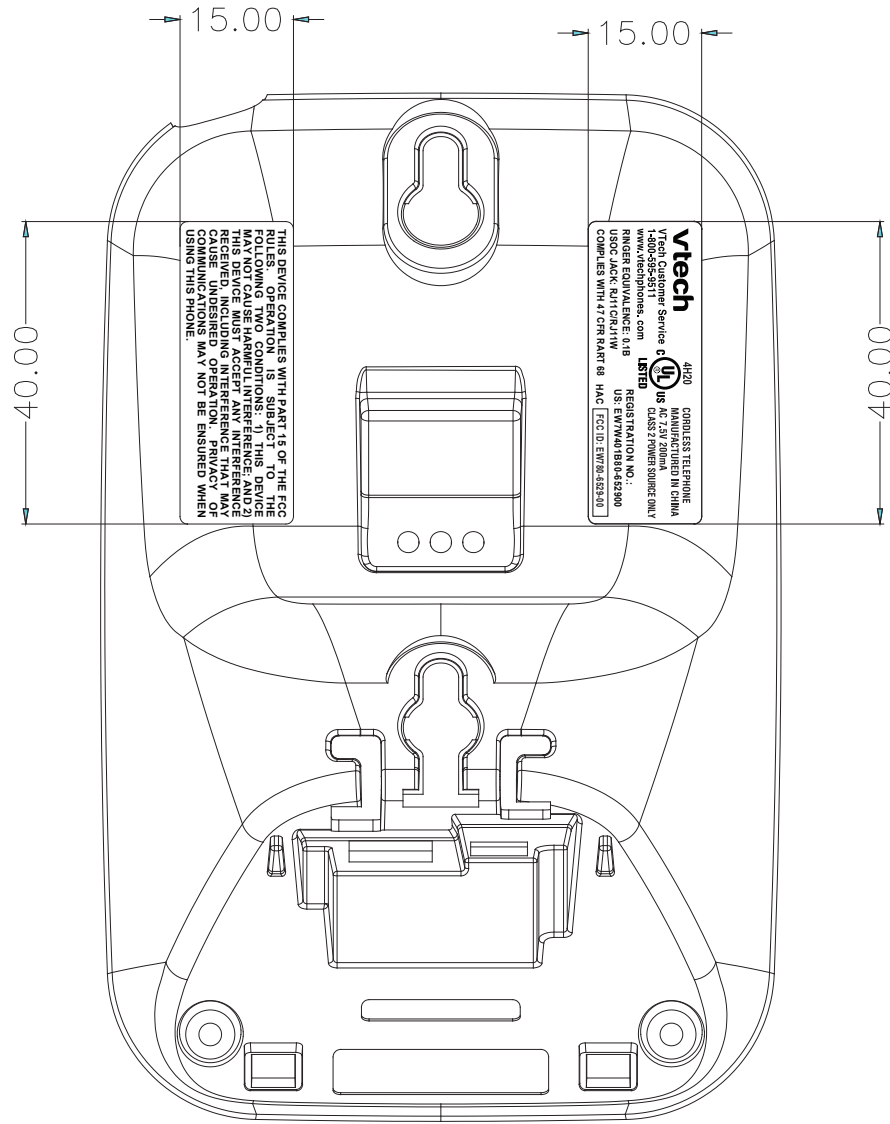
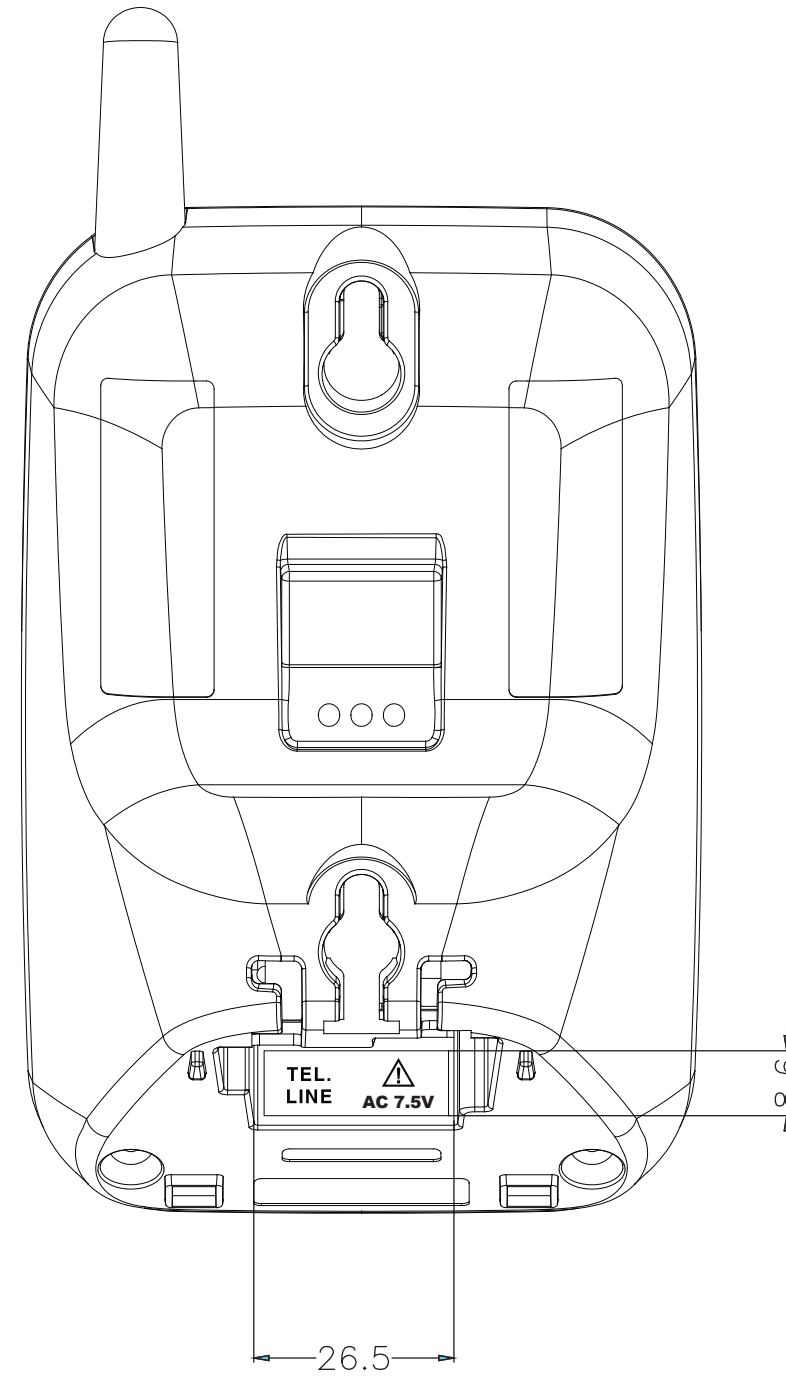


HS Rear

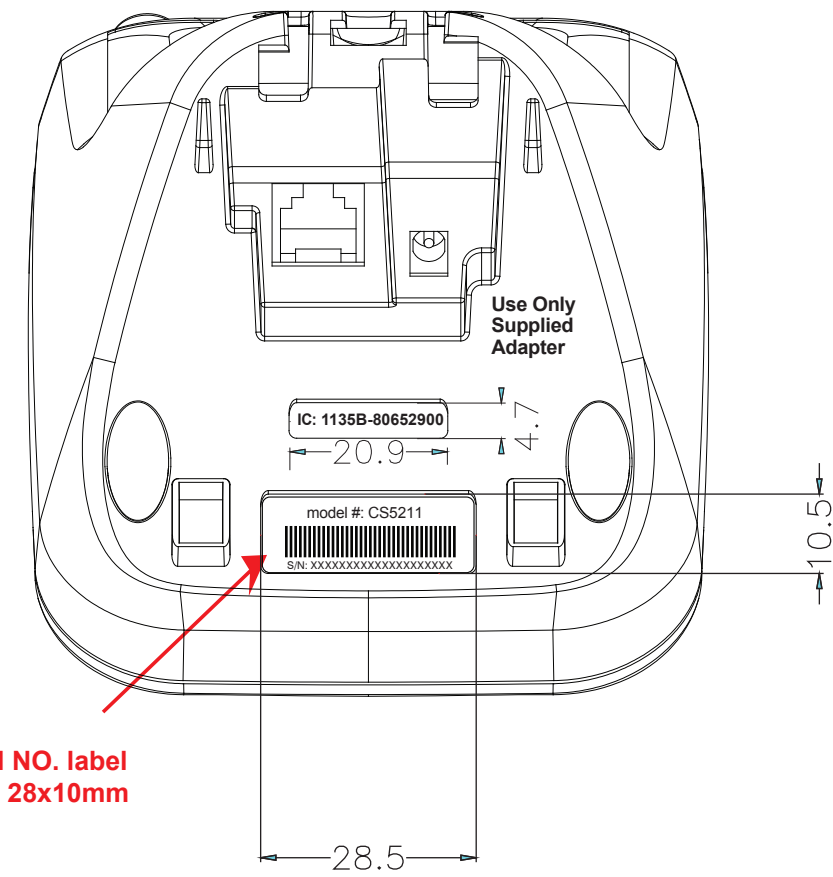
Serial NO. label
SIZE: 20x10mm



BS BTM VIEW 1



BS BTM VIEW 2



BS BTM VIEW 3

Serial NO. label
SIZE: 28x10mm