



VTech Telecommunications Ltd.

Application
For
47 CFR Part 15 Certification

Unlicensed Personal Communication Service Devices

FCC ID: EW780-6292-00

Test Report Number: 07176681

Issue Date: October 12, 2007

TL/ ac

- The evaluation data of the report will be kept for 3 years from the date of issuance.
- This report is for the exclusive use of Intertek's Client and is provided pursuant to the agreement between Intertek and its Client. Intertek's responsibility and liability are limited to the terms and conditions of the agreement. Intertek assumes no liability to any party, other than to the Client in accordance with the agreement, for any loss, expense or damage occasioned by the use of this report. Only the Client is authorized to permit copying or distribution of this report and then only in its entirety. Any use of the Intertek name or one of its marks for the sale or advertisement of the tested material, product or service must first be approved in writing by Intertek. The observations and test results in this report are relevant only to the sample tested. This report by itself does not imply that the material, product, or service is or has ever been under an Intertek certification program.

Intertek Testing Services Hong Kong Ltd.

2/F., Garment Centre, 576 Castle Peak Road, Kowloon, Hong Kong.
Tel: (852) 2173 8888 Fax: (852) 2785 5487 Website: www.hk.intertek-etlsemko.com

LIST OF EXHIBITS

INTRODUCTION

| | |
|--------------------|---------------------------|
| <i>EXHIBIT 1:</i> | Summary of Tests |
| <i>EXHIBIT 2:</i> | General Description |
| <i>EXHIBIT 3:</i> | System Test Configuration |
| <i>EXHIBIT 4:</i> | Measurement Results |
| <i>EXHIBIT 5:</i> | Equipment Photographs |
| <i>EXHIBIT 6:</i> | Product Labelling |
| <i>EXHIBIT 7:</i> | Technical Specifications |
| <i>EXHIBIT 8:</i> | Instruction Manual |
| <i>EXHIBIT 9:</i> | UTAM Affidavit |
| <i>EXHIBIT 10:</i> | Confidentiality Request |

INTERTEK TESTING SERVICES

MEASUREMENT/TECHNICAL REPORT

VTech Telecommunications Ltd. - Model: IS6110

FCC ID: EW780-6292-00

This report concerns (check one:) Original Grant Class II Change

Equipment Type : PUB - Part 15 Unlicensed PCS Base Station
PUE - Part 15 Unlicensed PCS portable Tx held to ear
JBP - Part 15 Class B Computing Device Peripheral

Deferred grant requested per 47 CFR 0.457(d)(1)(ii)? Yes No

If yes, defer until :

_____ Date

Company Name agrees to notify the Commission by: _____ Date

of the intended date of announcement of the product so that the grant can be issued on that date.

Transition Rules Request per 15.37? Yes No

If no, assumed Part 15, Subpart D for Unlicensed Personal Communication Service Device and Part 15 Subpart B for unintentional radiators - the new 47 CFR [04-05-05 Edition] Provision.

Report prepared by:

Leung Wai Leung, Tommy

Intertek Testing Services Hong Kong Ltd.

2/F., Garment Centre,
576 Castle Peak Road,
Kowloon, Hong Kong.

Phone : 852-2173-8538

Fax: 852-2741-1693

INTERTEK TESTING SERVICES

Table of Contents

| | |
|--|----|
| 1.0 Summary of Test Results | 7 |
| 2.0 General Description | 10 |
| 2.1 Product Description | 10 |
| 2.2 Technical Description | 10 |
| 2.3 Related Submittal(s) Grants | 11 |
| 2.4 Test Methodology | 11 |
| 2.5 Test Facility | 11 |
| 3.0 System Test Configuration | 13 |
| 3.1 Justification | 13 |
| 3.2 Conducted Emission Test Configuration | 14 |
| 3.3 Conducted Monitoring and Operational Test Configuration | 14 |
| 3.4 EUT Exercising Software | 14 |
| 3.5 Details of EUT and Description of Peripherals | 15 |
| 3.6 Measurement Uncertainty | 16 |
| 3.7 Equipment Modification | 16 |
| 4.0 Measurement Results | 18 |
| 4.1 Antenna Requirement | 18 |
| 4.2 Digital Modulation Techniques | 18 |
| 4.3 Emission Bandwidth | 19 |
| 4.4 Directional Gain of the Antenna | 22 |
| 4.5 Peak Transmit Power | 23 |
| 4.6 Power Spectral Density | 25 |
| 4.7 Automatic Discontinuation of Transmission | 27 |
| 4.8 Unwanted Emission Inside the Sub-Band | 29 |
| 4.9 Emissions Outside the Sub-Band | 31 |
| 4.9.1 Radiated Emissions Configuration Photographs | 32 |
| 4.9.2 Radiated Emissions Data | 33 |
| 4.9.3 Field Strength Calculation | 48 |
| 4.9.4 Average Factor Calculation | 49 |
| 4.10 AC Power Lines Conducted Emissions from Transmitter portion of EUT | 50 |
| 4.10.1 AC Power Lines Conducted Emissions Configuration Photographs | 51 |
| 4.10.2 AC Power Line Conducted Emissions Data | 52 |
| 4.11 Radiated Emissions from Computing Device Peripheral Portion of EUT | 53 |
| 4.11.1 Radiated Emissions Configuration Photographs | 54 |
| 4.11.2 Radiated Emissions Data | 55 |
| 4.12 AC Power Lines Conducted Emissions from Computing Device Peripheral Portion of EUT | 57 |
| 4.12.1 AC Power Lines Conducted Emissions Configuration Photographs | 58 |
| 4.12.2 AC Power Line Conducted Emissions Data | 59 |
| 4.13 Radio Frequency Radiation Exposure | 60 |
| 4.14 Frame Repetition Stability | 61 |
| 4.15 Frame Period and Jitter | 62 |
| 4.16 Carrier Frequency Stability | 63 |
| 4.17 Monitoring Threshold | 65 |
| 4.17.1 Lower Monitoring Threshold | 66 |
| 4.17.2.1 Upper Monitoring Threshold | 67 |
| 4.17.2.2 Least Interfered Channel (LIC) Selection | 68 |

INTERTEK TESTING SERVICES

Table of Contents

| | |
|---|-----------|
| 4.17.2.3 Least Interfered Channel (LIC) Confirmation..... | 70 |
| 4.17.2.4 Maximum Spectrum Occupance | 70 |
| 4.18 Monitoring Time..... | 71 |
| 4.19 Maximum Transmit Period..... | 72 |
| 4.20 System Acknowledgement | 73 |
| 4.21 Random Waiting..... | 75 |
| 4.22 Monitoring Bandwidth | 76 |
| 4.23 Maximum Reaction Time | 78 |
| 4.24 Monitoring Antenna | 79 |
| 4.25 Duplex Connections | 80 |
| 4.26 Alternative Monitoring Interval for Co-located Device..... | 82 |
| 4.27 Fair Access..... | 83 |
| 5.0 Equipment Photographs..... | 85 |
| 6.0 Product Labelling..... | 87 |
| 7.0 Technical Specifications..... | 89 |
| 8.0 Instruction Manual..... | 91 |
| 9.0 UTAM Affidavit..... | 93 |
| 10.0 Confidentiality Request | 95 |

INTERTEK TESTING SERVICES

List of Attached Files

| Exhibit Type | File Description | Filename |
|------------------------|--|--|
| Operation Description | Technical Description | descri.pdf |
| Test Report | Test Report | report.pdf |
| Test Report | Emission Bandwidth and Test Frequency Plots | 26bw.pdf |
| Test Report | Peak Transmit Power Plots | peaktp.pdf |
| Test Report | Power Spectral Density Plots | psd.pdf |
| Test Report | Unwanted Emission Inside Sub-Band Plots | inband.pdf |
| Test Report | AC Lines Conducted Emission Data | conduct.pdf |
| Test Setup Photo | Radiated Emission Test Configuration | config photos.doc |
| Test Setup Photo | AC Lines Conducted Emission Test Configuration | |
| RF Exposure Info | RF Safety | RF exposure info.pdf |
| SAR Report | SAR Report | SAR Report 1 of 2.pdf SAR Report 2 of 2.pdf |
| External Photos | External Photo | external photos.doc |
| Internal Photos | Internal Photo | internal photos.doc |
| ID Label/Location Info | Label Artwork and Location | label.pdf |
| ID Label/Location Info | Label Location Justification | justification.pdf |
| Block Diagrams | Block Diagram | block.pdf |
| Schematics | Circuit Diagram | circuit.pdf |
| User Manual | User Manual | manual.pdf |
| Cover Letter | UTAM affidavit | utam.pdf |
| Cover Letter | Confidentiality Request | request.pdf |
| Declaration Letter | Declaration | declaration.pdf |

**EXHIBIT 1
SUMMARY OF TEST RESULTS**

INTERTEK TESTING SERVICES

1.0 Summary of Test Results

VTech Telecommunications Ltd. - Model: IS6110

FCC ID: EW780-6292-00

| General Technical Requirements | | | | |
|--|---------------------|---|---------|---------------------|
| Test Items | FCC Part 15 Section | Test Procedure ANSI C63.17 / ANSI C63.4 * | Results | Details see section |
| Antenna Requirement | 15.317 | --- | Pass | 4.1 |
| Digital Modulation Techniques | 15.319(b) | 6.1.4 | Pass | 4.2 |
| Emission Bandwidth | 15.323(a) | 6.1.3 | Pass | 4.3 |
| Directional Gain of the Antenna | 15.319(e) | 4.3.1 | Pass | 4.4 |
| Peak Transmit Power | 15.319(c) | 6.1.2 | Pass | 4.5 |
| Power Spectral Density | 15.319(d) | 6.1.5 | Pass | 4.6 |
| Automatic Discontinuation of Transmission | 15.319(f) | --- | Pass | 4.7 |
| AC Power Lines Conducted Emissions from Transmitter Portion of EUT | 15.315 | 7 * | Pass | 4.10 |
| Radiated Emissions from Computing Device Peripheral Portion of EUT | 15.109(a) | 8 * | Pass | 4.11 |
| AC Power Lines Conducted Emissions from Computing Device Peripheral Portion of EUT | 15.107(a) | 7 * | Pass | 4.12 |
| Radio Frequency Radiation Exposure | 15.319(i) | --- | Pass | 4.13 |

Test Engineer:



Ken Sit
Supervisor

Date: 24 October, 2007

Approved By:



Leung Wai Leung, Tommy
Senior Manager

Date: 24 October, 2007

INTERTEK TESTING SERVICES

1.0 Summary of Test Results (continued)

VTech Telecommunications Ltd. - Model: IS6110

FCC ID: EW780-6292-00

| Specific Requirements for UPCS Device | | | | |
|---|----------------------------|--|----------------|----------------------------|
| Test Items | FCC Part 15 Section | Test Procedure ANSI C63.17 / ANSI C63.4 | Results | Details see section |
| Unwanted Emission Inside the Sub-Band | 15.323(d) | 6.1.6.1 | Pass | 4.8 |
| Emissions Outside the Sub-Band | 15.323(d) | 6.1.6.2 | Pass | 4.9 |
| Frame Repetition Stability | 15.323(e) | 6.2.2 | Pass | 4.14 |
| Frame Period and Jitter | 15.323(e) | 6.2.3 | Pass | 4.15 |
| Carrier Frequency Stability | 15.323(f) | 6.2.1 | Pass | 4.16 |
| Lower Monitoring Threshold | 15.323(c)(2) | 7.3.1(b) | NA | 4.17.1 |
| Upper Monitoring Threshold | 15.323(c)(5) | 7.3.2 | Pass | 4.17.2.1 |
| Least Interfered Channel (LIC) Selection, | 15.323(c)(5) | 7.3.3 | Pass | 4.17.2.2 |
| Least Interfered Channel (LIC) Confirmation | 15.323(c)(5) | 7.3.3 , 7.3.4 | Pass | 4.17.2.3 |
| Maximum Spectrum Occupancy | 15.323(c)(5) | --- | Pass | 4.17.2.4 |
| Monitoring Time | 15.323(c)(1) | 7.3.4 | Pass | 4.18 |
| Maximum Transmit Period | 15.323(c)(3) | --- | Pass | 4.19 |
| System Acknowledgement | 15.323(4) | 8.1 or 8.2 | Pass | 4.20 |
| Random Waiting | 15.323(c)(6) | 8.1.2 & 8.1.3 | Pass | 4.21 |
| Monitoring Bandwidth | 15.323(c)(7) | 7.4 | Pass | 4.22 |
| Maximum Reaction Time | 15.323(c)(7) | 7.5 | Pass | 4.23 |
| Monitoring Antenna | 15.323(c)(8) | 4 | Pass | 4.24 |
| Duplex Connections | 15.323(c)(10) | 8.3 | Pass | 4.25 |
| Alternative Monitoring Interval for Co-located Device | 15.323(c)(11) | 8.4 | NA | 4.26 |
| Fair Access | 5.323(c)(12) | --- | Pass | 4.27 |

Test Engineer:

Approved By:




Ken Sit
Supervisor

Leung Wai Leung, Tommy
Senior Manager

Date: 24 October, 2007

Date: 24 October, 2007

**EXHIBIT 2
GENERAL DESCRIPTION**

INTERTEK TESTING SERVICES

2.0 General Description

2.1 Product Description

The IS6110 is a 1.9GHz Digital Modulation Cordless Phone with Caller ID, Speakerphone and Instant Messaging. It operates at frequency range of 1921.536MHz to 1928.448MHz with 5 physical frequency channels. The internal power supply's isolation is accomplished through a power transformer having an adequate dielectric rating. The circuit wiring is consistent under the requirement of part 68.

The handset unit consists of a keypad with twelve standard keys (0,...9,*,#), Thirty function keys (Left Softkey, Right Softkey, ALT, CAP, Vol up, Vol down, Left, Right, Up, Down, 16 character keys, Delete, Enter, Speaker, Space/Redial). A Talk/Flash and OFF keys are provided to control pick and release telephone line.

The base unit has a page key, which is used to communicate with handset unit. An USB port is equipped for instant messaging function, when the base unit is connected via a computer installed with required software.

The antennas used in base unit and handset are integral, and the test sample is a prototype.

Connection between the base unit and the telephone network is accomplished through the use of USOC RJ11C in the 2-wire loop calling central office line.

2.2 Technical Description

The circuit description and digital modulation techniques description are saved as filename: descri.pdf.

INTERTEK TESTING SERVICES

2.3 Related Submittal(s) Grants

This is an application for Certification of a PUB - Part 15 Unlicensed PCS Base Station, PUE - Part 15 Unlicensed PCS portable Tx held to ear and a JBP - Part 15 Class B Computing Device Peripheral. The device is also subject to Part 68 Registration.

A Verification report has been prepared for the digital device portion.

2.4 Test Methodology

The radiated emission measurements for unintentional radiator and AC power line-conducted emission measurements were performed according to the test procedures specified in ANSI C63.4 (2003). The radiated emission measurements for intentional radiator contained in UPCS device, conducted emission measurements, Listen Before Transmit (LBT) tests, Time Frame and Frequency Stability tests were performed according to the test procedures specified in Revision Draft ANSI C63.17 (2006). All radiated measurements were performed in Open Area Test Sites. Preliminary scans were performed in the Open Area Test Sites only to determine worst case modes. All radiated tests were performed at an antenna to EUT distance of 3 meters, unless stated otherwise in the "Justification Section" of this Application. All other measurements were made in accordance with the procedures in 47 CFR Part 2.

2.5 Test Facility

The open area test site and conducted measurement facility used to collect the emission data is located at Garment Centre, 576 Castle Peak Road, Kowloon, Hong Kong. This test facility and site measurement data have been fully placed on file with the FCC.

**EXHIBIT 3
SYSTEM TEST CONFIGURATION**

INTERTEK TESTING SERVICES

3.0 System Test Configuration

3.1 Justification

For emissions testing, the equipment under test (EUT) was setup to transmit continuously in burst mode with pseudo-random data to simplify the measurement methodology. Care was taken to ensure proper power supply voltages during testing. During testing, all cables (if any) were manipulated to produce worst-case emissions. The handset was powered by a fully charged battery.

For the measurements, the EUT was attached to a plastic stand if necessary and placed on the wooden turntable. If the base unit attached to peripherals, they were connected and operational (as typical as possible).

The signal was maximized through rotation and placement in the three orthogonal axes. The antenna height and polarization were varied during the search for maximum signal level. The antenna height was varied from 1 to 4 meters. Detector function was in peak mode. Radiated emissions are taken at three meters unless the signal level was too low for measurement at that distance. If necessary, a pre-amplifier was used and/or the test was conducted at a closer distance.

The spectrum analyzer resolution bandwidth was approximately 1% of the EUT emission bandwidth, unless otherwise specified.

Radiated emission measurements were performed from the lowest radio frequency signal generated in the device which is greater than 9 kHz to the tenth harmonic of the highest fundamental frequency or to 40 GHz, whichever is lower.

As the base unit has 2 antennas, both have been checked. While conducting the test on one of antennas, another one was being disable its transmission. The data in this report represented the worst-case.

INTERTEK TESTING SERVICES

3.2 Conducted Emission Test Configuration

The setup and equipment setting were made in accordance with ANSI C63.17. The antenna of EUT transmitter was replaced by a coaxial cable. The impedance matching of connection, cable loss and external RF attenuator are taken into account. The EUT was arranged to communicate via a fixed carrier frequency between its transmitter and a companion device. The transmission was configured in burst mode with pseudo-random data as typical as normal operation.

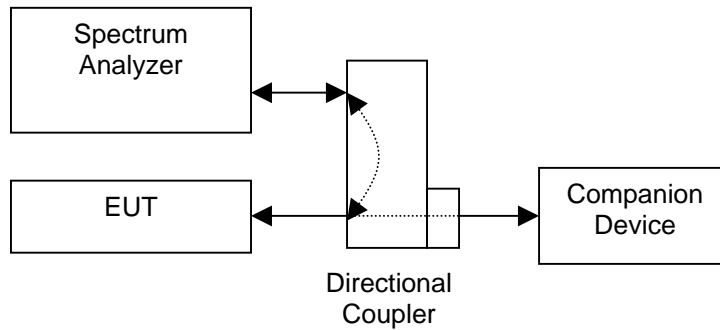


Figure 3.2.1

3.3 Conducted Monitoring and Operational Test Configuration

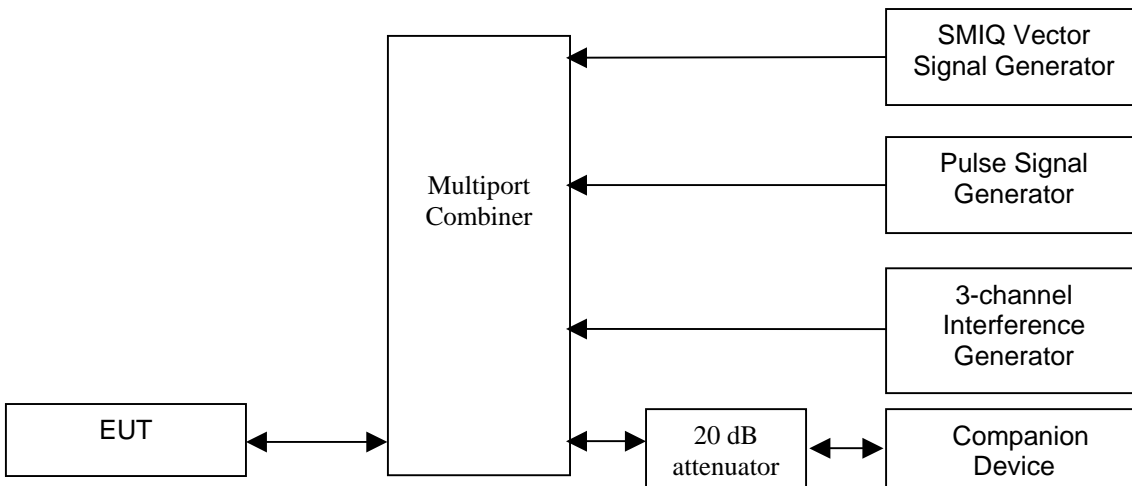


Figure 3.3.1

3.4 EUT Exercising Software

The EUT exercise programs (Vtech IMPhone Driver for MSN Messenger, Version 1.0.2.2, Windows Live Messenger, Version 8.1.0178) used during radiated and conducted testing was designed to exercise the various system components in a manner similar to a typical use.

INTERTEK TESTING SERVICES

3.5 Details of EUT and Description of Peripherals

Details of EUT:

An AC adaptor and/or a battery (provided with the unit) were used to power the device. Their description are listed below.

- (1) Base Unit: An AC adaptor (117VAC to DC6V 300mA, Model: UD-0603)
(Supplied by Client)
- (2) Handset: A "Ni-MH" type rechargeable battery (2.4V 750mAh)
(Supplied by Client)

Description of Peripherals:

- (1) Telephone Headset (Supplied by Intertek)
- (2) 3m Telephone Line (Supplied by Intertek)
- (3) 1 x USB cable with 2 meter long with ferrite core (Supplied by Client)

For Radiated Emission Test:

- (1) HP Compaq Notebook, Model: NC6220, S/N: CNU62015KN, DoC Product
(Supplied by Intertek)
- (2) Hayes Modem, Model: 6800CN, S/N: A00900153317, FCC ID: BFJ9D907-00038 (Supplied by Intertek)
- (3) HP Mouse, Model: M-S34, S/N: LZC84609205, DoC Product
(Supplied by Intertek)

For Conducted Emission Test:

- (1) Compaq Notebook, Model: Compaq Armada, S/N: J802BRX8L090, FCC ID: DGIP5745 (Supplied by Intertek)
- (2) Genius Modem, Model: GM56EX, S/N: ZT5505000355, DoC Product
(Supplied by Intertek)
- (3) HP Printer, Model: C6431D, S/N: CN23B 680ZP, DoC Product
(Supplied by Intertek)
- (4) HP Mouse, Model: C3751B, S/N: LZB72359748, FCC ID: DZL211029
(Supplied by Intertek)

INTERTEK TESTING SERVICES

3.6 Measurement Uncertainty

When determining of the test conclusion, the Measurement Uncertainty test has been considered.

Uncertainty and Compliance - Unless the standard specifically states that measured values are to be extended by the measurement uncertainty in determining compliance, all compliance determinations are based on the actual measured value.

3.7 Equipment Modification

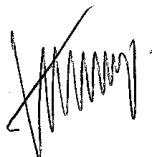
Any modifications installed previous to testing by VTech Telecommunications Ltd. will be incorporated in each production model sold/leased in the United States.

No modifications were installed by ETL Division, Intertek Testing Services Hong Kong Ltd.

All the items listed under section 3.0 of this report are confirmed by:

Confirmed by:

*Leung Wai Leung, Tommy
Senior Manager
Intertek Testing Services Hong Kong Ltd.
Agent for VTech Telecommunications Ltd.*



Signature

24 October, 2007

Date

**EXHIBIT 4
MEASUREMENT RESULTS**

INTERTEK TESTING SERVICES

Company: VTech Telecommunications Ltd. Date of Test: August 13-September 21, 2007
Model: IS6110

4.0 **Measurement Results**

4.1 Antenna Requirement, FCC Rule 15.317:

EUT must meet the antenna requirement of FCC Rule 15.203.

EUT uses a permanently attached antenna which is considered sufficient to comply with the provisions of this rule. Please refer to Exhibit 5: Internal Photos for more details.

EUT uses a unique antenna jack or electrical connector which is considered sufficient to comply with the provisions of this rule. Please refer to Exhibit 5: Internal Photos for more details.

4.2 Digital Modulation Techniques, FCC Rule 15.319(b):

All transmissions must use only digital modulation techniques.

The requirements are made in accordance with ANSI C63.17 sub-clause 6.1.4.

Attestation:

Please refer to the technical description in section 2.2 or relevant DECT standards for more details.

INTERTEK TESTING SERVICES

Company: VTech Telecommunications Ltd. Date of Test: August 13-September 21, 2007
Model: IS6110

4.3 Emission Bandwidth, FCC Rule 15.323(a):

Operation shall be contained within the 1920 – 1930 MHz band. The emission bandwidth (B) shall be less than 2.5 MHz and greater than 50 kHz.

Measurements are made in accordance with ANSI C63.17 sub-clause 6.1.3. Test setup is shown in section 3.2 Figure 3.2.1.

Test Results:

I. Traffic Carrier - Base Unit

| Channel | Channel Frequency (MHz) | Measuring Signal Level | Measured Emission Bandwidth (MHz) | Results |
|---------|-------------------------|------------------------|-----------------------------------|---------|
| Lowest | 1921.536 | 26 dB down | 1.50 | Pass |
| Highest | 1928.448 | 26 dB down | 1.51 | Pass |

II. Dummy Carrier - Base Unit

| Channel | Channel Frequency (MHz) | Measuring Signal Level | Measured Emission Bandwidth (MHz) | Results |
|---------|-------------------------|------------------------|-----------------------------------|---------|
| Lowest | 1921.536 | 26 dB down | 1.46 | Pass |
| Highest | 1928.448 | 26 dB down | 1.44 | Pass |

III. Traffic Carrier - Handset

| Channel | Channel Frequency (MHz) | Measuring Signal Level | Measured Emission Bandwidth (MHz) | Results |
|---------|-------------------------|------------------------|-----------------------------------|---------|
| Lowest | 1921.536 | 26 dB down | 1.47 | Pass |
| Highest | 1928.448 | 26 dB down | 1.48 | Pass |

INTERTEK TESTING SERVICES

Company: VTech Telecommunications Ltd. Date of Test: August 13-September 21, 2007
 Model: IS6110

4.3 Emission Bandwidth, FCC Rule 15.323(a): - Continued

The following test data are used in section 4.22 for monitoring bandwidth measurement.

I. Traffic Carrier - Base Unit

| Channel | Channel Frequency (MHz) | Signal Level | Measured Frequency (MHz) |
|-------------|-------------------------|--------------|--------------------------|
| Lowest | 1921.536 | Peak | 1921.566000 |
| | | 6 dB down | 1921.081908 |
| | | | 1921.990092 |
| | | 12 dB down | 1920.922228 |
| 1922.139792 | | | |
| Highest | 1928.448 | Peak | 1928.408000 |
| | | 6 dB down | 1927.983928 |
| | | | 1928.892112 |
| | | 12 dB down | 1927.844208 |
| 1929.011872 | | | |

II. Dummy Carrier - Base Unit

| Channel | Channel Frequency (MHz) | Signal Level | Measured Frequency (MHz) |
|-------------|-------------------------|--------------|--------------------------|
| Lowest | 1921.536 | Peak | 1921.226000 |
| | | 6 dB down | 1921.091888 |
| | | | 1921.790491 |
| | | 12 dB down | 1920.992088 |
| 1922.109852 | | | |
| Highest | 1928.448 | Peak | 1928.118000 |
| | | 6 dB down | 1928.053788 |
| | | | 1928.732431 |
| | | 12 dB down | 1927.894108 |
| 1929.021852 | | | |

INTERTEK TESTING SERVICES

Company: VTech Telecommunications Ltd. Date of Test: August 13-September 21, 2007
 Model: IS6110

4.3 Emission Bandwidth, FCC Rule 15.323(a): - Continued

III. Traffic Carrier - Handset

| Channel | Channel Frequency (MHz) | Signal Level | Measured Frequency (MHz) |
|---------|-------------------------|--------------|--------------------------|
| Lowest | 1921.536 | Peak | 1921.226000 |
| | | 6 dB down | 1921.131808 |
| | | | 1921.910251 |
| | | 12 dB down | 1921.012048 |
| | | | 1922.079912 |
| Highest | 1928.448 | Peak | 1928.138000 |
| | | 6 dB down | 1927.993908 |
| | | | 1928.742411 |
| | | 12 dB down | 1927.904088 |
| | | | 1929.011872 |

Please refer to the attached plots for more details:

Base Unit:

- Plot B1A: Lowest Channel 26dB Emission Bandwidth (Traffic Carrier)
- Plot B1B: Lowest Channel Test Frequency at -6dB points (Traffic Carrier)
- Plot B1C: Lowest Channel Test Frequency at -12dB points (Traffic Carrier)
- Plot B1D: Highest Channel 26dB Emission Bandwidth (Traffic Carrier)
- Plot B1E: Highest Channel Test Frequency at -6dB points (Traffic Carrier)
- Plot B1F: Highest Channel Test Frequency at -12dB points (Traffic Carrier)
- Plot B1G: Lowest Channel 26dB Emission Bandwidth (Dummy Carrier)
- Plot B1H: Lowest Channel Test Frequency at -6dB points (Dummy Carrier)
- Plot B1I: Lowest Channel Test Frequency at -12dB points (Dummy Carrier)
- Plot B1J: Highest Channel 26dB Emission Bandwidth (Dummy Carrier)
- Plot B1K: Highest Channel Test Frequency at -6dB points (Dummy Carrier)
- Plot B1L: Highest Channel Test Frequency at -12dB points (Dummy Carrier)

Handset

- Plot H1A: Lowest Channel 26dB Emission Bandwidth (Traffic Carrier)
- Plot H1B: Lowest Channel Test Frequency at -6dB points (Traffic Carrier)
- Plot H1C: Lowest Channel Test Frequency at -12dB points (Traffic Carrier)
- Plot H1D: Highest Channel 26dB Emission Bandwidth (Traffic Carrier)
- Plot H1E: Highest Channel Test Frequency at -6dB points (Traffic Carrier)
- Plot H1F: Highest Channel Test Frequency at -12dB points (Traffic Carrier)

The plots of emission bandwidth and test frequency are saved as filename: 26bw.pdf

INTERTEK TESTING SERVICES

Company: VTech Telecommunications Ltd. Date of Test: August 13-September 21, 2007
Model: IS6110

4.4 Directional Gain of the Antenna, FCC Rule FCC 15.319(e):

The peak transmit power shall be reduced by the amount in dB that the maximum directional gain of the antenna exceeds 3 dBi.

The requirements are made in accordance with ANSI C63.17 sub-clause 4.3.1.

- Manufacturer declares that the directional gain of the antenna is less than or equal to 3dBi. No peak transmit power reduction is required.
- Manufacturer declares that the directional gain of the antenna is greater than 3dBi. The peak transmit power shall be reduced by _____ dB.

INTERTEK TESTING SERVICES

Company: VTech Telecommunications Ltd. Date of Test: August 13-September 21, 2007
 Model: IS6110

4.5 Peak Transmit Power, FCC Rule 15.319(c):

The peak transmit power (P_{EUT}) shall not exceed $100\mu W$ multiplied by the square root of the emission bandwidth (B) in Hz or $5 \log_{10} B - 10$ dBm. The peak transmit power shall be reduced by the amount in dB that the maximum directional gain of the antenna exceeds 3 dBi.

Measurements are made in accordance with ANSI C63.17 sub-clause 6.1.2. Test setup is shown in section 3.2 Figure 3.2.1. The cable loss and/or external attenuation are included in OFFSET function of spectrum analyzer.

Calculation of Peak Transmit Power Limit (P_{max}):

$$\begin{aligned}
 [\times] \quad P_{max} &= 5 \log_{10} B - 10 \text{ dBm} && \text{when } G_A \leq 3\text{dBi} \\
 [\] \quad P_{max} &= 5 \log_{10} B - 10 \text{ dBm} - (G_A - 3\text{dBi}) && \text{when } G_A > 3\text{dBi}
 \end{aligned}$$

Where G_A = EUT Antenna Gain: $\underline{\quad}$ dBi for Base Unit
 $\underline{\quad}$ dBi for Handset

Test Results:

I. Traffic Carrier - Base Unit

| Channel | Channel Frequency (MHz) | Measured Peak Transmit Power (dBm) | Limit (dBm) | Results |
|---------|-------------------------|------------------------------------|-------------|---------|
| Lowest | 1921.536 | 19.17 | 20.88 | Pass |
| Highest | 1928.448 | 19.01 | 22.89 | Pass |

II. Dummy Carrier - Base Unit

| Channel | Channel Frequency (MHz) | Measured Peak Transmit Power (dBm) | Limit (dBm) | Results |
|---------|-------------------------|------------------------------------|-------------|---------|
| Lowest | 1921.536 | 19.04 | 20.82 | Pass |
| Highest | 1928.448 | 18.89 | 20.79 | Pass |

INTERTEK TESTING SERVICES

Company: VTech Telecommunications Ltd. Date of Test: August 13-September 21, 2007
Model: IS6110

4.5 Peak Transmit Power, FCC Rule 15.319(c): - Continued

III. Traffic Carrier - Handset

| Channel | Channel Frequency (MHz) | Measured Peak Transmit Power (dBm) | Limit (dBm) | Results |
|---------|-------------------------|------------------------------------|-------------|---------|
| Lowest | 1921.536 | 19.68 | 20.84 | Pass |
| Highest | 1928.448 | 19.59 | 20.85 | Pass |

Please refer to the attached plots for more details:

Base Unit:

Plot B2A: Lowest Channel Peak Transmit Power (Traffic Carrier)

Plot B2B: Highest Channel Peak Transmit Power (Traffic Carrier)

Plot B2C: Lowest Channel Peak Transmit Power (Dummy Carrier)

Plot B2D: Highest Channel Peak Transmit Power (Dummy Carrier)

Handset:

Plot H2A: Lowest Channel Peak Transmit Power (Traffic Carrier)

Plot H2B: Highest Channel Peak Transmit Power (Traffic Carrier)

The plots of peak transmit power are saved as filename: peaktp.pdf

INTERTEK TESTING SERVICES

Company: VTech Telecommunications Ltd. Date of Test: August 13-September 21, 2007
Model: IS6110

4.6 Power Spectral Density, FCC Rule 15.319(d):

Power spectral density shall not exceed 3 mW (4.8dBm) in any 3 kHz bandwidth as measured with a spectrum analyzer having a resolution bandwidth of 3 kHz.

Measurements are made in accordance with ANSI C63.17 sub-clause 6.1.5. Test setup is shown in section 3.2 Figure 3.2.1.

Test Results:

I. Traffic Carrier - Base Unit

| Channel | Channel Frequency (MHz) | Measured Power Spectral Density (dBm/3kHz) | Limit (dBm/3 kHz) | Results |
|---------|-------------------------|--|-------------------|---------|
| Lowest | 1921.536 | -8.9 | 4.8 | Pass |
| Highest | 1928.448 | -8.5 | 4.8 | Pass |

II. Dummy Carrier - Base Unit

| Channel | Channel Frequency (MHz) | Measured Power Spectral Density (dBm/3kHz) | Limit (dBm/3 kHz) | Results |
|---------|-------------------------|--|-------------------|---------|
| Lowest | 1921.536 | -10.3 | 4.8 | Pass |
| Highest | 1928.448 | -9.7 | 4.8 | Pass |

III. Traffic Carrier - Handset

| Channel | Channel Frequency (MHz) | Measured Power Spectral Density (dBm/3kHz) | Limit (dBm/3 kHz) | Results |
|---------|-------------------------|--|-------------------|---------|
| Lowest | 1921.536 | -10.3 | 4.8 | Pass |
| Highest | 1928.448 | -9.5 | 4.8 | Pass |

INTERTEK TESTING SERVICES

Company: VTech Telecommunications Ltd. Date of Test: August 13-September 21, 2007
Model: IS6110

4.6 Power Spectral Density, FCC Rule 15.319(d): - Continued

Please refer to the attached plots for more details:

Base Unit:

Plot 3A: Lowest Channel Power Spectral Density (Traffic Carrier)
Plot 3B: Highest Channel Power Spectral Density (Traffic Carrier)
Plot 3C: Lowest Channel Power Spectral Density (Dummy Carrier)
Plot 3D: Highest Channel Power Spectral Density (Dummy Carrier)

Handset

Plot 3A: Lowest Channel Power Spectral Density (Traffic Carrier)
Plot 3B: Highest Channel Power Spectral Density (Traffic Carrier)

The plots of the power spectral density are saved as filename: psd.pdf

INTERTEK TESTING SERVICES

Company: VTech Telecommunications Ltd. Date of Test: August 13-September 21, 2007
Model: IS6110

4.7 Automatic Discontinuation of Transmission, FCC Rule 15.319(f):

The EUT shall automatically discontinue transmission in case of either absence of information to transmit or operational failure. These provisions are not intended to preclude transmission of control and signaling information or use of repetitive codes used by certain digital technologies to complete frame or burst intervals.

Test Procedures:

The following tests simulate the reaction of EUT in case of either absence of information to transmit or operational failure after a connection of its companion device is established. Test setup is shown in section 3.2 Figure 3.2.1.

Test Descriptions and Results:

I. Base Unit:

| | Test Descriptions | Reaction of EUT | Results |
|---|------------------------------------|-----------------|---------|
| 1 | Switch-off companion device | NA | NA |
| 2 | On Hook by companion device | B | Pass |
| 3 | Remove power from companion device | B | Pass |
| 4 | Switch-off EUT | NA | NA |
| 5 | On Hook on EUT Side | NA | NA |
| 6 | Remove power from EUT | A | Pass |

- A – Connection is terminated and, transmission ceases.
- B – Connection is terminated but EUT transmits control or signaling information.
- C – Connection is terminated but companion device transmits control or signaling information.
- NA – Not applicable, represents the device does not contain a hook switch or a power off switch

[x] The manufacturer declares that the EUT can automatically discontinue transmission in case of either absent information to transmit or operational failure. The manufacturer's declaration is saved as filename: declaration.pdf.

INTERTEK TESTING SERVICES

Company: VTech Telecommunications Ltd. Date of Test: August 13-September 21, 2007
Model: IS6110

4.7 Automatic Discontinuation of Transmission, FCC Rule 15.319(f): - Continued

II. Handset:

| | Test Descriptions | Reaction of EUT | Results |
|---|------------------------------------|-----------------|---------|
| 1 | Switch-off companion device | NA | NA |
| 2 | On Hook by companion device | NA | NA |
| 3 | Remove power from companion device | A | Pass |
| 4 | Switch-off EUT | NA | NA |
| 5 | On Hook on EUT Side | C | Pass |
| 6 | Remove power from EUT | C | Pass |

- A – Connection is terminated and, transmission ceases.
- B – Connection is terminated but EUT transmits control or signaling information.
- C – Connection is terminated but companion device transmits control or signaling information.
- NA – Not applicable, represents the device does not contain a hook switch or a power off switch

[×] The manufacturer declares that the EUT can automatically discontinue transmission in case of either absent information to transmit or operational failure. The manufacturer's declaration is saved as filename: declaration.pdf

INTERTEK TESTING SERVICES

Company: VTech Telecommunications Ltd. Date of Test: August 13-September 21, 2007
Model: IS6110

4.8 Unwanted Emission Inside the Sub-Band, FCC Rule 15.323(d):

Emissions inside the sub-band must comply with the following emission mask:

1. In the bands between $1B$ and $2B$ measured from the center of the emission bandwidth, emission shall be at least 30 dB below the permitted peak transmit power; i.e. -9.5 dBm
2. In the bands between $2B$ and $3B$ measured from the center of the emission bandwidth, emission shall be at least 50 dB below the permitted peak transmit power; i.e. -29.5 dBm
3. In the bands between $3B$ and the band edge, emission shall be at least 60 dB below the permitted peak transmit power. i.e. -39.5 dBm

Where B = emission bandwidth in Hz

Measurements are made in accordance with ANSI C63.17 sub-clause 6.1.6.1. Test setup is shown in section 3.2 Figure 3.2.1.

Test Results:

I. Traffic Carrier - Base Unit

| Channel | Channel Frequency (MHz) | Results |
|---------|-------------------------|---------|
| Lowest | 1921.536 | Pass |
| Highest | 1928.448 | Pass |

II. Dummy Carrier - Base Unit

| Channel | Channel Frequency (MHz) | Results |
|---------|-------------------------|---------|
| Lowest | 1921.536 | Pass |
| Highest | 1928.448 | Pass |

III. Traffic Carrier - Handset

| Channel | Channel Frequency (MHz) | Results |
|---------|-------------------------|---------|
| Lowest | 1921.536 | Pass |
| Highest | 1928.448 | Pass |

INTERTEK TESTING SERVICES

Company: VTech Telecommunications Ltd. Date of Test: August 13-September 21, 2007
Model: IS6110

4.8 Unwanted Emission Inside the Sub-Band, FCC Rule 15.323(d): - Continued

Please refer to the attached plots for more details:

Base Unit:

Plot 4A: Lowest Channel Unwanted Emission Inside the Sub-Band (Traffic Carrier)

Plot 4B: Highest Channel Unwanted Emission Inside the Sub-Band (Traffic Carrier)

Plot 4C: Lowest Channel Unwanted Emission Inside the Sub-Band (Dummy Carrier)

Plot 4D: Highest Channel Unwanted Emission Inside the Sub-Band (Dummy Carrier)

Handset:

Plot 4A: Lowest Channel Unwanted Emission Inside the Sub-Band (Traffic Carrier)

Plot 4B: Highest Channel Unwanted Emission Inside the Sub-Band (Traffic Carrier)

The plots of the unwanted emission inside the sub-band are saved as filename:
inband.pdf

INTERTEK TESTING SERVICES

Company: VTech Telecommunications Ltd. Date of Test: August 13-September 21, 2007
Model: IS6110

4.9 Emissions Outside the Sub-Band, FCC Rule 15.323(d):

Emissions outside the sub-band shall be attenuated below a reference power of 112 mW (20.5 dBm) as follows:

1. 30 dB between the band edge and 1.25 MHz above or below the band;
2. 50 dB between 1.25 and 2.5 MHz above or below the band; and
3. 60 dB at 2.5 MHz or greater above or below the band, or shall meet the requirement of FCC Rule 15.319(g) which shall not exceed the limits of FCC Rule 15.209.

Example: Calculation of Limit for emissions between the band edge and 1.25 MHz (1920.000 – 1918.750 MHz)

The emissions shall not exceed the Limit: 20.5 dBm – 30 dB = -9.5 dBm

Measurements are made in accordance with ANSI C63.17 sub-clause 6.1.6.2. As EUT has non-detachable antenna(s), radiated emissions test method is used for out-of-band emissions tests. Emissions that are directly caused by digital circuits in the transmit path and transmitter portion are measured. Test setup and procedures are described in section 3.2 Figure 3.2.1.

Test Results:

Base Unit & Handset:

| Channel | Carrier Frequency (MHz) | Measured Band (MHz) | Limit (dBm) | Results |
|---------|-------------------------|---|-------------------------|---------|
| Lowest | 1921.536 | 1920.000 - 1918.750 | -9.5 | Pass |
| | | 1918.750 - 1917.500 | -29.5 | Pass |
| | | 0.009 - 1917.500 & 1932.500 - 19300.000 | -39.5 / FCC Rule 15.209 | Pass |
| Highest | 1928.448 | 1930.000 - 1931.250 | -9.5 | Pass |
| | | 1931.250 - 1932.500 | -29.5 | Pass |
| | | 0.009 - 1917.500 & 1932.500 - 19300.000 | -39.5 / FCC Rule 15.209 | Pass |

Please refer to the section 4.9.1 to 4.9.4 for more details.

INTERTEK TESTING SERVICES

Company: VTech Telecommunications Ltd. Date of Test: August 13-September 21, 2007
Model: IS6110
Mode: Transmission

4.9.1 Radiated Emissions Configuration Photographs:

Worst Case Radiated Emission
at

Base Unit: 5785.344 MHz

Handset: 3856.896 MHz

The worst case radiated emission configuration photographs are saved as filename:
config photos.doc

INTERTEK TESTING SERVICES

Company: VTech Telecommunications Ltd. Date of Test: August 13-September 21, 2007
Model: IS6110
Mode: Transmission

4.9.2 Radiated Emissions Data:

Data are included of the worst case configuration (the configuration which resulted in the highest emission levels). A sample calculation, configuration photographs and data tables of the emissions are included. All measurements were performed with peak detection unless otherwise specified.

The data in tables 1 to 14 list the significant emission frequencies, the limit and the margin of compliance.

Judgement:

Base Unit: Passed by 1.4 dB margin

Handset: Passed by 11.2 dB margin

TEST ENGINEER:



Signature

Ken Sit, Supervisor
Typed/Printed Name

24 October, 2007

Date

INTERTEK TESTING SERVICES

Company: VTech Telecommunications Ltd. Date of Test: August 13-September 21, 2007
Model: IS6110
Mode: Transmission

Table 1 - Base Unit

Radiated Emissions Data
Pursuant To FCC Part 15 Section 15.323 (d) Emissions Requirements

Lowest Channel - (welded shield can)

| Polari- zation | Frequency (MHz) | Emission Level at 3m (dBm) | Limit (dBm) | Margin (dB) |
|-------------------|--------------------|----------------------------------|----------------|----------------|
| H | 1919.160 | -37.3 | -9.5 | -27.8 |
| H | 1918.246 | -48.0 | -29.5 | -18.5 |
| H | 1917.062 | -50.4 | -39.5 | -10.9 |

Lowest Channel - (snap-fit shield can)

| Polari- zation | Frequency (MHz) | Emission Level at 3m (dBm) | Limit (dBm) | Margin (dB) |
|-------------------|--------------------|----------------------------------|----------------|----------------|
| H | 1919.281 | -37.8 | -9.5 | -28.3 |
| H | 1918.600 | -48.4 | -29.5 | -18.9 |
| H | 1917.324 | -51.2 | -39.5 | -11.7 |

NOTES:

1. Peak detector is used for the emission measurement.
2. All measurements were made at 3 meters.
3. Negative value in the margin column shows emission below limit.

INTERTEK TESTING SERVICES

Company: VTech Telecommunications Ltd. Date of Test: August 13-September 21, 2007
Model: IS6110
Mode: Transmission

Table 2, Base Unit

Radiated Emissions Data Pursuant To FCC Part 15 Section 15.209 Emissions Requirements

Lowest Channel - (welded shield can)

| Polarization | Frequency (MHz) | Reading (dB μ V) | Pre-Amp Gain (dB) | Antenna Factor (dB) | Net at 3m - Peak (dB μ V/m) | Average Factor (-dB) | Calculated at 3m (dB μ V/m) | Limit at 3m (dB μ V/m) | Margin (dB) |
|--------------|-----------------|----------------------|-------------------|---------------------|---------------------------------|----------------------|---------------------------------|----------------------------|-------------|
| H | 3843.072 | 62.7 | 33 | 33.3 | 63.0 | 18 | 45.0 | 54.0 | -9.0 |
| H | 5764.608 | 65.5 | 33 | 36.6 | 69.1 | 18 | 51.1 | 54.0 | -2.9 |
| H | 7686.144 | 57.5 | 33 | 38.9 | 63.4 | 18 | 45.4 | 54.0 | -8.6 |
| H | 9607.680 | 50.2 | 33 | 40.4 | 57.6 | 18 | 39.6 | 54.0 | -14.4 |
| H | 11529.216 | 41.8 | 33 | 40.5 | 49.3 | 18 | 31.3 | 54.0 | -22.7 |

Lowest Channel - (snap-fit shield can)

| Polarization | Frequency (MHz) | Reading (dB μ V) | Pre-Amp Gain (dB) | Antenna Factor (dB) | Net at 3m - Peak (dB μ V/m) | Average Factor (-dB) | Calculated at 3m (dB μ V/m) | Limit at 3m (dB μ V/m) | Margin (dB) |
|--------------|-----------------|----------------------|-------------------|---------------------|---------------------------------|----------------------|---------------------------------|----------------------------|-------------|
| H | 3843.072 | 62.5 | 33 | 33.3 | 62.8 | 18 | 44.8 | 54.0 | -9.2 |
| H | 5764.608 | 65.9 | 33 | 36.6 | 69.5 | 18 | 51.5 | 54.0 | -2.5 |
| H | 7686.144 | 57.3 | 33 | 38.9 | 63.2 | 18 | 45.2 | 54.0 | -8.8 |
| H | 9607.680 | 44.0 | 33 | 40.4 | 51.4 | 18 | 33.4 | 54.0 | -20.6 |
| H | 11529.216 | 42.0 | 33 | 40.5 | 49.5 | 18 | 31.5 | 54.0 | -22.5 |

NOTES:

1. Quasi-peak detector is used for the emission below or equal to 1000 MHz.
2. Peak detector is used for the emission measurement over 1000 MHz.
3. All measurements were made at 3 meters.
4. The corresponding limit as per 15.209 is based on quasi-peak limit for frequencies below 1000 MHz and average limit for frequencies over 1000 MHz. The radio frequency emissions above 1000 MHz also meet corresponding 20 dB permitted peak limit with a peak detector function.
5. Negative value in the margin column shows emission below limit.

INTERTEK TESTING SERVICES

Company: VTech Telecommunications Ltd. Date of Test: August 13-September 21, 2007
 Model: IS6110
 Mode: Transmission

Table 3, Base Unit

Radiated Emissions Data Pursuant To FCC Part 15 Section 15.209 Emissions Requirements

Lowest Channel - (welded shield can)

| Polarization | Frequency (MHz) | Reading (dB μ V) | Pre-Amp (dB) | Antenna Factor (dB) | Net at 3m - Peak (dB μ V/m) | Limit at 3m (dB μ V/m) | Margin (dB) |
|--------------|-----------------|----------------------|--------------|---------------------|---------------------------------|----------------------------|-------------|
| H | 3843.072 | 62.7 | 33 | 33.3 | 63.0 | 74.0 | -11.0 |
| H | 5764.608 | 65.5 | 33 | 36.6 | 69.1 | 74.0 | -4.9 |
| H | 7686.144 | 57.5 | 33 | 38.9 | 63.4 | 74.0 | -10.6 |
| H | 9607.680 | 50.2 | 33 | 40.4 | 57.6 | 74.0 | -16.4 |
| H | 11529.216 | 41.8 | 33 | 40.5 | 49.3 | 74.0 | -24.7 |

Lowest Channel - (snap-fit shield can)

| Polarization | Frequency (MHz) | Reading (dB μ V) | Pre-Amp (dB) | Antenna Factor (dB) | Net at 3m - Peak (dB μ V/m) | Limit at 3m (dB μ V/m) | Margin (dB) |
|--------------|-----------------|----------------------|--------------|---------------------|---------------------------------|----------------------------|-------------|
| H | 3843.072 | 62.5 | 33 | 33.3 | 62.8 | 74.0 | -11.2 |
| H | 5764.608 | 65.9 | 33 | 36.6 | 69.5 | 74.0 | -4.5 |
| H | 7686.144 | 57.3 | 33 | 38.9 | 63.2 | 74.0 | -10.8 |
| H | 9607.680 | 44.0 | 33 | 40.4 | 51.4 | 74.0 | -22.6 |
| H | 11529.216 | 42.0 | 33 | 40.5 | 49.5 | 74.0 | -24.5 |

NOTES:

1. Quasi-peak detector is used for the emission below or equal to 1000 MHz.
2. Peak detector is used for the emission measurement over 1000 MHz.
3. All measurements were made at 3 meters.
4. The corresponding limit as per 15.209 is based on quasi-peak limit for frequencies below 1000 MHz and average limit for frequencies over 1000 MHz. The radio frequency emissions above 1000 MHz also meet corresponding 20 dB permitted peak limit with a peak detector function.
5. Negative value in the margin column shows emission below limit.

INTERTEK TESTING SERVICES

Company: VTech Telecommunications Ltd. Date of Test: August 13-September 21, 2007
Model: IS6110
Mode: Transmission

Table 4 - Base Unit

**Radiated Emissions Data
Pursuant To FCC Part 15 Section 15.323 (d) Emissions Requirements**

Highest Channel - (welded shield can)

| Polari- zation | Frequency (MHz) | Emission Level at 3m (dBm) | Limit (dBm) | Margin (dB) |
|-------------------|--------------------|----------------------------------|----------------|----------------|
| H | 1930.274 | -37.2 | -9.5 | -27.7 |
| H | 1931.538 | -48.3 | -29.5 | -18.8 |
| H | 1933.216 | -51.0 | -39.5 | -11.5 |

Highest Channel - (snap-fit shield can)

| Polari- zation | Frequency (MHz) | Emission Level at 3m (dBm) | Limit (dBm) | Margin (dB) |
|-------------------|--------------------|----------------------------------|----------------|----------------|
| H | 1930.596 | -37.4 | -9.5 | -27.9 |
| H | 1931.372 | -48.3 | -29.5 | -18.8 |
| H | 1933.180 | -50.7 | -39.5 | -11.2 |

NOTES:

1. Peak detector is used for the emission measurement.
2. All measurements were made at 3 meters.
3. Negative value in the margin column shows emission below limit.

INTERTEK TESTING SERVICES

Company: VTech Telecommunications Ltd. Date of Test: August 13-September 21, 2007
 Model: IS6110
 Mode: Transmission

Table 5, Base Unit

Radiated Emissions Data Pursuant To FCC Part 15 Section 15.209 Emissions Requirements

Highest Channel - (welded shield can)

| Polarization | Frequency (MHz) | Reading (dB μ V) | Pre-Amp Gain (dB) | Antenna Factor (dB) | Net at 3m - Peak (dB μ V/m) | Average Factor (-dB) | Calculated at 3m (dB μ V/m) | Limit at 3m (dB μ V/m) | Margin (dB) |
|--------------|-----------------|----------------------|-------------------|---------------------|---------------------------------|----------------------|---------------------------------|----------------------------|-------------|
| H | 3856.896 | 63.1 | 33 | 33.3 | 63.4 | 18 | 45.4 | 54.0 | -8.6 |
| H | 5785.344 | 65.9 | 33 | 36.6 | 69.5 | 18 | 51.5 | 54.0 | -2.5 |
| H | 7713.792 | 57.9 | 33 | 38.9 | 63.8 | 18 | 45.8 | 54.0 | -8.2 |
| H | 9642.240 | 51.3 | 33 | 40.4 | 58.7 | 18 | 40.7 | 54.0 | -13.3 |
| H | 11570.688 | 42.0 | 33 | 40.5 | 49.5 | 18 | 31.5 | 54.0 | -22.5 |

Highest Channel - (snap-fit shield can)

| Polarization | Frequency (MHz) | Reading (dB μ V) | Pre-Amp Gain (dB) | Antenna Factor (dB) | Net at 3m - Peak (dB μ V/m) | Average Factor (-dB) | Calculated at 3m (dB μ V/m) | Limit at 3m (dB μ V/m) | Margin (dB) |
|--------------|-----------------|----------------------|-------------------|---------------------|---------------------------------|----------------------|---------------------------------|----------------------------|-------------|
| H | 3856.896 | 62.1 | 33 | 33.3 | 62.4 | 18 | 44.4 | 54.0 | -9.6 |
| H | 5785.344 | 67.0 | 33 | 36.6 | 70.6 | 18 | 52.6 | 54.0 | -1.4 |
| H | 7713.792 | 57.5 | 33 | 38.9 | 63.4 | 18 | 45.4 | 54.0 | -8.6 |
| H | 9642.240 | 45.2 | 33 | 40.4 | 52.6 | 18 | 34.6 | 54.0 | -19.4 |
| H | 11570.688 | 42.3 | 33 | 40.5 | 49.8 | 18 | 31.8 | 54.0 | -22.2 |

NOTES:

1. Quasi-peak detector is used for the emission below or equal to 1000 MHz.
2. Peak detector is used for the emission measurement over 1000 MHz.
3. All measurements were made at 3 meters.
4. The corresponding limit as per 15.209 is based on quasi-peak limit for frequencies below 1000 MHz and average limit for frequencies over 1000 MHz. The radio frequency emissions above 1000 MHz also meet corresponding 20 dB permitted peak limit with a peak detector function.
5. Negative value in the margin column shows emission below limit.

INTERTEK TESTING SERVICES

Company: VTech Telecommunications Ltd. Date of Test: August 13-September 21, 2007
Model: IS6110
Mode: Transmission

Table 6, Base Unit

Radiated Emissions Data Pursuant To FCC Part 15 Section 15.209 Emissions Requirements

Highest Channel - (welded shield can)

| Polarization | Frequency (MHz) | Reading (dB μ V) | Pre-Amp (dB) | Antenna Factor (dB) | Net at 3m - Peak (dB μ V/m) | Limit at 3m (dB μ V/m) | Margin (dB) |
|--------------|-----------------|----------------------|--------------|---------------------|---------------------------------|----------------------------|-------------|
| H | 3856.896 | 63.1 | 33 | 33.3 | 63.4 | 74.0 | -10.6 |
| H | 5785.344 | 65.9 | 33 | 36.6 | 69.5 | 74.0 | -4.5 |
| H | 7713.792 | 57.9 | 33 | 38.9 | 63.8 | 74.0 | -10.2 |
| H | 9642.240 | 51.3 | 33 | 40.4 | 58.7 | 74.0 | -15.3 |
| H | 11570.688 | 42.0 | 33 | 40.5 | 49.5 | 74.0 | -24.5 |

Highest Channel - (snap-fit shield can)

| Polarization | Frequency (MHz) | Reading (dB μ V) | Pre-Amp (dB) | Antenna Factor (dB) | Net at 3m - Peak (dB μ V/m) | Limit at 3m (dB μ V/m) | Margin (dB) |
|--------------|-----------------|----------------------|--------------|---------------------|---------------------------------|----------------------------|-------------|
| H | 3856.896 | 62.1 | 33 | 33.3 | 62.4 | 74.0 | -11.6 |
| H | 5785.344 | 67.0 | 33 | 36.6 | 70.6 | 74.0 | -3.4 |
| H | 7713.792 | 57.5 | 33 | 38.9 | 63.4 | 74.0 | -10.6 |
| H | 9642.240 | 45.2 | 33 | 40.4 | 52.6 | 74.0 | -21.4 |
| H | 11570.688 | 42.3 | 33 | 40.5 | 49.8 | 74.0 | -24.2 |

NOTES:

1. Quasi-peak detector is used for the emission below or equal to 1000 MHz.
2. Peak detector is used for the emission measurement over 1000 MHz.
3. All measurements were made at 3 meters.
4. The corresponding limit as per 15.209 is based on quasi-peak limit for frequencies below 1000 MHz and average limit for frequencies over 1000 MHz. The radio frequency emissions above 1000 MHz also meet corresponding 20 dB permitted peak limit with a peak detector function.
5. Negative value in the margin column shows emission below limit.

INTERTEK TESTING SERVICES

Company: VTech Telecommunications Ltd. Date of Test: August 13-September 21, 2007
Model: IS6110
Mode: Talking

Table 7, Base Unit

Radiated Emissions Data
Pursuant To FCC Part 15 Section 15.323 (d) Emissions Requirements

| Polari- -zation | Frequency (MHz) | Emission Level at 3m (dBm) | Limit (dBm) | Margin (dB) |
|--------------------|--------------------|----------------------------------|----------------|----------------|
| V | 38.485 | -67.5 | -39.5 | -28.0 |
| V | 49.576 | -66.2 | -39.5 | -26.7 |
| V | 58.731 | -66.0 | -39.5 | -26.5 |
| H | 135.826 | -66.8 | -39.5 | -27.3 |
| H | 162.472 | -67.2 | -39.5 | -27.7 |
| H | 190.586 | -68.0 | -39.5 | -28.5 |

NOTES:

1. Peak detector is used for the emission measurement.
2. All measurements were made at 3 meters.
3. Negative value in the margin column shows emission below limit.

INTERTEK TESTING SERVICES

Company: VTech Telecommunications Ltd. Date of Test: August 13-September 21, 2007
Model: IS6110
Mode: Transmission

Table 8 - Handset

Radiated Emissions Data
Pursuant To FCC Part 15 Section 15.323 (d) Emissions Requirements

Lowest Channel - (welded shield can)

| Polari- zation | Frequency (MHz) | Emission Level at 3m (dBm) | Limit (dBm) | Margin (dB) |
|-------------------|--------------------|----------------------------------|----------------|----------------|
| H | 1919.174 | -37.8 | -9.5 | -28.3 |
| H | 1918.426 | -48.3 | -29.5 | -18.8 |
| H | 1917.110 | -51.0 | -39.5 | -11.5 |

Lowest Channel - (snap-fit shield can)

| Polari- zation | Frequency (MHz) | Emission Level at 3m (dBm) | Limit (dBm) | Margin (dB) |
|-------------------|--------------------|----------------------------------|----------------|----------------|
| H | 1919.642 | -37.2 | -9.5 | -27.7 |
| H | 1918.461 | -47.4 | -29.5 | -17.9 |
| H | 1917.162 | -51.2 | -39.5 | -11.7 |

NOTES:

1. Peak detector is used for the emission measurement.
2. All measurements were made at 3 meters.
3. Negative value in the margin column shows emission below limit.

INTERTEK TESTING SERVICES

Company: VTech Telecommunications Ltd. Date of Test: August 13-September 21, 2007
Model: IS6110
Mode: Transmission

Table 9, Handset

Radiated Emissions Data Pursuant To FCC Part 15 Section 15.209 Emissions Requirements

Lowest Channel - (welded shield can)

| Polarization | Frequency (MHz) | Reading (dB μ V) | Pre-Amp Gain (dB) | Antenna Factor (dB) | Net at 3m - Peak (dB μ V/m) | Average Factor (-dB) | Calculated at 3m (dB μ V/m) | Limit at 3m (dB μ V/m) | Margin (dB) |
|--------------|-----------------|----------------------|-------------------|---------------------|---------------------------------|----------------------|---------------------------------|----------------------------|-------------|
| H | 3843.072 | 63.9 | 33 | 33.3 | 64.2 | 21.5 | 42.7 | 54.0 | -11.3 |
| H | 5764.608 | 59.5 | 33 | 36.6 | 63.1 | 21.5 | 41.6 | 54.0 | -12.4 |
| H | 7686.144 | 56.9 | 33 | 38.9 | 62.8 | 21.5 | 41.3 | 54.0 | -12.7 |
| H | 9607.680 | 54.6 | 33 | 40.4 | 62.0 | 21.5 | 40.5 | 54.0 | -13.5 |
| H | 11529.216 | 41.7 | 33 | 40.5 | 49.2 | 21.5 | 27.7 | 54.0 | -26.3 |

Lowest Channel - (snap-fit shield can)

| Polarization | Frequency (MHz) | Reading (dB μ V) | Pre-Amp Gain (dB) | Antenna Factor (dB) | Net at 3m - Peak (dB μ V/m) | Average Factor (-dB) | Calculated at 3m (dB μ V/m) | Limit at 3m (dB μ V/m) | Margin (dB) |
|--------------|-----------------|----------------------|-------------------|---------------------|---------------------------------|----------------------|---------------------------------|----------------------------|-------------|
| H | 3843.072 | 62.0 | 33 | 33.3 | 62.3 | 21.5 | 40.8 | 54.0 | -13.2 |
| H | 5764.608 | 58.8 | 33 | 36.6 | 62.4 | 21.5 | 40.9 | 54.0 | -13.1 |
| H | 7686.144 | 56.2 | 33 | 38.9 | 62.1 | 21.5 | 40.6 | 54.0 | -13.4 |
| H | 9607.680 | 50.6 | 33 | 40.4 | 58.0 | 21.5 | 36.5 | 54.0 | -17.5 |
| H | 11529.216 | 40.3 | 33 | 40.5 | 47.8 | 21.5 | 26.3 | 54.0 | -27.7 |

NOTES:

1. Quasi-peak detector is used for the emission below or equal to 1000 MHz.
2. Peak detector is used for the emission measurement over 1000 MHz.
3. All measurements were made at 3 meters.
4. The corresponding limit as per 15.209 is based on quasi-peak limit for frequencies below 1000 MHz and average limit for frequencies over 1000 MHz. The radio frequency emissions above 1000 MHz also meet corresponding 20 dB permitted peak limit with a peak detector function.
5. Negative value in the margin column shows emission below limit.

INTERTEK TESTING SERVICES

Company: VTech Telecommunications Ltd. Date of Test: August 13-September 21, 2007
Model: IS6110
Mode: Transmission

Table 10, Handset

Radiated Emissions Data Pursuant To FCC Part 15 Section 15.209 Emissions Requirements

Lowest Channel - (welded shield can)

| Polarization | Frequency (MHz) | Reading (dB μ V) | Pre-Amp (dB) | Antenna Factor (dB) | Net at 3m - Peak (dB μ V/m) | Limit at 3m (dB μ V/m) | Margin (dB) |
|--------------|-----------------|----------------------|--------------|---------------------|---------------------------------|----------------------------|-------------|
| H | 3843.072 | 63.9 | 33 | 33.3 | 64.2 | 74.0 | -9.8 |
| H | 5764.608 | 59.5 | 33 | 36.6 | 63.1 | 74.0 | -10.9 |
| H | 7686.144 | 56.9 | 33 | 38.9 | 62.8 | 74.0 | -11.2 |
| H | 9607.680 | 54.6 | 33 | 40.4 | 62.0 | 74.0 | -12.0 |
| H | 11529.216 | 41.7 | 33 | 40.5 | 49.2 | 74.0 | -24.8 |

Lowest Channel - (snap-fit shield can)

| Polarization | Frequency (MHz) | Reading (dB μ V) | Pre-Amp (dB) | Antenna Factor (dB) | Net at 3m - Peak (dB μ V/m) | Limit at 3m (dB μ V/m) | Margin (dB) |
|--------------|-----------------|----------------------|--------------|---------------------|---------------------------------|----------------------------|-------------|
| H | 3843.072 | 62.0 | 33 | 33.3 | 62.3 | 74.0 | -11.7 |
| H | 5764.608 | 58.8 | 33 | 36.6 | 62.4 | 74.0 | -11.6 |
| H | 7686.144 | 56.2 | 33 | 38.9 | 62.1 | 74.0 | -11.9 |
| H | 9607.680 | 50.6 | 33 | 40.4 | 58.0 | 74.0 | -16.0 |
| H | 11529.216 | 40.3 | 33 | 40.5 | 47.8 | 74.0 | -26.2 |

NOTES:

1. Quasi-peak detector is used for the emission below or equal to 1000 MHz.
2. Peak detector is used for the emission measurement over 1000 MHz.
3. All measurements were made at 3 meters.
4. The corresponding limit as per 15.209 is based on quasi-peak limit for frequencies below 1000 MHz and average limit for frequencies over 1000 MHz. The radio frequency emissions above 1000 MHz also meet corresponding 20 dB permitted peak limit with a peak detector function.
5. Negative value in the margin column shows emission below limit.

INTERTEK TESTING SERVICES

Company: VTech Telecommunications Ltd. Date of Test: August 13-September 21, 2007
Model: IS6110
Mode: Transmission

Table 11 - Handset

**Radiated Emissions Data
Pursuant To FCC Part 15 Section 15.323 (d) Emissions Requirements**

Highest Channel - (welded shield can)

| Polari- zation | Frequency (MHz) | Emission Level at 3m (dBm) | Limit (dBm) | Margin (dB) |
|-------------------|--------------------|----------------------------------|----------------|----------------|
| H | 1930.742 | -37.7 | -9.5 | -28.2 |
| H | 1931.516 | -48.7 | -29.5 | -19.2 |
| H | 1933.024 | -51.4 | -39.5 | -11.9 |

Highest Channel - (snap-fit shield can)

| Polari- zation | Frequency (MHz) | Emission Level at 3m (dBm) | Limit (dBm) | Margin (dB) |
|-------------------|--------------------|----------------------------------|----------------|----------------|
| H | 1930.896 | -37.4 | -9.5 | -27.9 |
| H | 1931.310 | -48.0 | -29.5 | -18.5 |
| H | 1933.360 | -50.9 | -39.5 | -11.4 |

NOTES:

1. Peak detector is used for the emission measurement.
2. All measurements were made at 3 meters.
3. Negative value in the margin column shows emission below limit.

INTERTEK TESTING SERVICES

Company: VTech Telecommunications Ltd. Date of Test: August 13-September 21, 2007
 Model: IS6110
 Mode: Transmission

Table 12, Handset

Radiated Emissions Data Pursuant To FCC Part 15 Section 15.209 Emissions Requirements

Highest Channel - (welded shield can)

| Polarization | Frequency (MHz) | Reading (dB μ V) | Pre-Amp Gain (dB) | Antenna Factor (dB) | Net at 3m - Peak (dB μ V/m) | Average Factor (-dB) | Calculated at 3m (dB μ V/m) | Limit at 3m (dB μ V/m) | Margin (dB) |
|--------------|-----------------|----------------------|-------------------|---------------------|---------------------------------|----------------------|---------------------------------|----------------------------|-------------|
| H | 3856.896 | 64.0 | 33 | 33.3 | 64.3 | 21.5 | 42.8 | 54.0 | -11.2 |
| H | 5785.344 | 60.2 | 33 | 36.6 | 63.8 | 21.5 | 42.3 | 54.0 | -11.7 |
| H | 7713.792 | 56.3 | 33 | 38.9 | 62.2 | 21.5 | 40.7 | 54.0 | -13.3 |
| H | 9642.240 | 55.0 | 33 | 40.4 | 62.4 | 21.5 | 40.9 | 54.0 | -13.1 |
| H | 11570.688 | 41.4 | 33 | 40.5 | 48.9 | 21.5 | 27.4 | 54.0 | -26.6 |

Highest Channel - (snap-fit shield can)

| Polarization | Frequency (MHz) | Reading (dB μ V) | Pre-Amp Gain (dB) | Antenna Factor (dB) | Net at 3m - Peak (dB μ V/m) | Average Factor (-dB) | Calculated at 3m (dB μ V/m) | Limit at 3m (dB μ V/m) | Margin (dB) |
|--------------|-----------------|----------------------|-------------------|---------------------|---------------------------------|----------------------|---------------------------------|----------------------------|-------------|
| H | 33856.896 | 62.1 | 33 | 33.3 | 62.4 | 21.5 | 40.9 | 54.0 | -13.1 |
| H | 5785.344 | 59.2 | 33 | 36.6 | 62.8 | 21.5 | 41.3 | 54.0 | -12.7 |
| H | 7713.792 | 56.0 | 33 | 38.9 | 61.9 | 21.5 | 40.4 | 54.0 | -13.6 |
| H | 9642.240 | 51.3 | 33 | 40.4 | 58.7 | 21.5 | 37.2 | 54.0 | -16.8 |
| H | 11570.688 | 41.1 | 33 | 40.5 | 48.6 | 21.5 | 27.1 | 54.0 | -26.9 |

NOTES:

1. Quasi-peak detector is used for the emission below or equal to 1000 MHz.
2. Peak detector is used for the emission measurement over 1000 MHz.
3. All measurements were made at 3 meters.
4. The corresponding limit as per 15.209 is based on quasi-peak limit for frequencies below 1000 MHz and average limit for frequencies over 1000 MHz. The radio frequency emissions above 1000 MHz also meet corresponding 20 dB permitted peak limit with a peak detector function.
5. Negative value in the margin column shows emission below limit.

INTERTEK TESTING SERVICES

Company: VTech Telecommunications Ltd. Date of Test: August 13-September 21, 2007
Model: IS6110
Mode: Transmission

Table 13, Handset

Radiated Emissions Data Pursuant To FCC Part 15 Section 15.209 Emissions Requirements

Highest Channel - (welded shield can)

| Polarization | Frequency (MHz) | Reading (dB μ V) | Pre-Amp (dB) | Antenna Factor (dB) | Net at 3m - Peak (dB μ V/m) | Limit at 3m (dB μ V/m) | Margin (dB) |
|--------------|-----------------|----------------------|--------------|---------------------|---------------------------------|----------------------------|-------------|
| H | 3856.896 | 64.0 | 33 | 33.3 | 64.3 | 74.0 | -9.7 |
| H | 5785.344 | 60.2 | 33 | 36.6 | 63.8 | 74.0 | -10.2 |
| H | 7713.792 | 56.3 | 33 | 38.9 | 62.2 | 74.0 | -11.8 |
| H | 9642.240 | 55.0 | 33 | 40.4 | 62.4 | 74.0 | -11.6 |
| H | 11570.688 | 41.4 | 33 | 40.5 | 48.9 | 74.0 | -25.1 |

Highest Channel - (snap-fit shield can)

| Polarization | Frequency (MHz) | Reading (dB μ V) | Pre-Amp (dB) | Antenna Factor (dB) | Net at 3m - Peak (dB μ V/m) | Limit at 3m (dB μ V/m) | Margin (dB) |
|--------------|-----------------|----------------------|--------------|---------------------|---------------------------------|----------------------------|-------------|
| H | 3856.896 | 62.1 | 33 | 33.3 | 62.4 | 74.0 | -11.6 |
| H | 5785.344 | 59.2 | 33 | 36.6 | 62.8 | 74.0 | -11.2 |
| H | 7713.792 | 56.0 | 33 | 38.9 | 61.9 | 74.0 | -12.1 |
| H | 9642.240 | 51.3 | 33 | 40.4 | 58.7 | 74.0 | -15.3 |
| H | 11570.688 | 41.1 | 33 | 40.5 | 48.6 | 74.0 | -25.4 |

NOTES:

1. Quasi-peak detector is used for the emission below or equal to 1000 MHz.
2. Peak detector is used for the emission measurement over 1000 MHz.
3. All measurements were made at 3 meters.
4. The corresponding limit as per 15.209 is based on quasi-peak limit for frequencies below 1000 MHz and average limit for frequencies over 1000 MHz. The radio frequency emissions above 1000 MHz also meet corresponding 20 dB permitted peak limit with a peak detector function.
5. Negative value in the margin column shows emission below limit.

INTERTEK TESTING SERVICES

Company: VTech Telecommunications Ltd. Date of Test: August 13-September 21, 2007
Model: IS6110
Mode: Talking

Table 14, Handset

Radiated Emissions Data
Pursuant To FCC Part 15 Section 15.323 (d) Emissions Requirements

| Polari- zation | Frequency (MHz) | Emission Level at 3m (dBm) | Limit (dBm) | Margin (dB) |
|-------------------|--------------------|----------------------------------|----------------|----------------|
| V | 38.496 | -67.5 | -39.5 | -28.0 |
| V | 49.582 | -66.8 | -39.5 | -27.3 |
| V | 58.648 | -66.2 | -39.5 | -26.7 |
| H | 135.724 | -65.8 | -39.5 | -26.3 |
| H | 162.785 | -66.5 | -39.5 | -27.0 |
| H | 196.673 | -67.2 | -39.5 | -27.7 |

NOTES:

1. Peak detector is used for the emission measurement.
2. All measurements were made at 3 meters.
3. Negative value in the margin column shows emission below limit.

INTERTEK TESTING SERVICES

Company: VTech Telecommunications Ltd. Date of Test: August 13-September 21, 2007
Model: IS6110

4.9.3 Field Strength Calculation

The field strength is calculated by adding the reading on the Spectrum Analyzer to the factors associated with preamplifiers (if any), antennas, cables, pulse desensitization and average factors (when specified limit is in average and measurements are made with peak detectors). A sample calculation is included below.

$$FS = RA + AF + CF - AG + PD + AV$$

Where

- FS = Field Strength in dB μ V/m
- RA = Receiver Amplitude (including preamplifier) in dB μ V
- CF = Cable Attenuation Factor in dB
- AF = Antenna Factor in dB
- AG = Amplifier Gain in dB
- PD = Pulse Desensitization in dB
- AV = Average Factor in -dB

In the radiated emission table which follows, the reading shown on the data table may reflect the preamplifier gain. An example of the calculations, where the reading does not reflect the preamplifier gain, follows:

$$FS = RA + AF + CF - AG + PD + AV$$

Example

Assume a receiver reading of 62.0 dB μ V is obtained. The antenna factor of 7.4 dB and cable factor of 1.6 dB is added. The amplifier gain of 29.0 dB is subtracted. The pulse desensitization factor of the spectrum analyzer is 0.0 dB, and the resultant average factor is -10.0 dB. The net field strength for comparison to the appropriate emission limit is 32.0 dB μ V/m. This value in dB μ V/m is converted to its corresponding level in μ V/m.

RA = 62.0 dB μ V
AF = 7.4 dB
CF = 1.6 dB
AG = 29.0 dB
PD = 0.0 dB
AV = -10 dB

$$FS = 62.0 + 7.4 + 1.6 - 29.0 + 0.0 + (-10.0) = 32.0 \text{ dB}\mu\text{V/m}$$

$$\text{Level in mV/m} = \text{Common Antilogarithm} [(32.0 \text{ dB}\mu\text{V/m})/20] = 39.8 \mu\text{V/m}$$

INTERTEK TESTING SERVICES

Company: VTech Telecommunications Ltd. Date of Test: August 13-September 21, 2007
Model: IS6110

4.9.4 Average Factor Calculation, FCC Rule 15.35(b, c)

Base Unit: For 1 handset double-slot operation with dummy operation:

$$\begin{aligned}\text{Average Factor (AF) in dB} &= 20 \log_{10} (3/24) \text{ dB} \\ &= -18 \text{ dB}\end{aligned}$$

Handset:

$$\begin{aligned}\text{Average Factor (AF) in dB} &= 20 \log_{10} (2/24) \text{ dB} \\ &= -21.5 \text{ dB}\end{aligned}$$

INTERTEK TESTING SERVICES

Company: VTech Telecommunications Ltd. Date of Test: August 13-September 21, 2007
Model: IS6110

4.10 AC Power Lines Conducted Emissions from Transmitter portion of EUT, FCC Rule 15.315:

The AC power lines conducted emission shall not exceed the limits of FCC Rule 15.207.

Measurements are made in accordance with ANSI C63.4 sub-clause 7. Emissions that are directly caused by digital circuits in the transmit path and transmitter portion are measured.

Not applicable – EUT is only powered by battery for operation.

EUT connects to AC power lines. Emission Data are listed in following pages.
Please refer to the section 4.10.1 to 4.10.2 for more details.

INTERTEK TESTING SERVICES

Company: VTech Telecommunications Ltd. Date of Test: August 13-September 21, 2007
Model: IS6110
Mode: Talk

4.10.1 AC Power Lines Conducted Emissions Configuration Photographs:

Worst Case AC Power Line Conducted Emission
at

15.655 MHz

The worst case AC power Line conducted emission configuration photographs are saved
as filename: config photos.doc

INTERTEK TESTING SERVICES

Company: VTech Telecommunications Ltd. Date of Test: August 13-September 21, 2007
Model: IS6110
Mode: Talk

4.10.2 AC Power Line Conducted Emissions Data:

The data on the following pages list the significant emission frequencies, the limit, and the margin of compliance.

Judgment:

Passed by more than 20 dB margin

The worst case AC power line conducted emission data are saved as filename:
conduct.pdf

TEST ENGINEER:



Signature

Ken Sit, Supervisor
Typed/Printed Name

24 October, 2007

Date

INTERTEK TESTING SERVICES

Company: VTech Telecommunications Ltd. Date of Test: August 13-September 21, 2007
Model: IS6110

4.11 Radiated Emissions from Computing Device Peripheral Portion of EUT, FCC Rule 15.109(a):

EUT includes computing device peripheral circuitry and is subject to the requirements of FCC Part 15 Subpart B. The radiated emission shall not exceed the limits of FCC Rule 15.109(a).

Measurements are made in accordance with ANSI C63.4 sub-clause 8 and section 3.1. Radiated emissions shall be measured with EUT operating in typical operation modes. The spectrum analyzer resolution bandwidth was 100 kHz or greater for frequencies below 1000 MHz.

- Not applicable – No computing device peripheral
- The computing device peripheral portion of EUT is subject to FCC Part 15 Subpart B, Certification. Please refer to the section 4.11.1 for more details.
- The computing device peripheral portion of EUT is subject to FCC Part 15 Subpart B, DoC. Emission Data are included in the separated DoC report.

Note: The test result are deemed satisfactory evidence of compliance with Industry Canada Interference-Causing Equipment Standard ICES-003

INTERTEK TESTING SERVICES

Company: VTech Telecommunications Ltd. Date of Test: August 13-September 21, 2007
Model: IS6110
Mode: Instant Message

4.11.1 Radiated Emissions Configuration Photographs:

Worst Case Radiated Emission
at

82.648 MHz

The worst case radiated emission configuration photographs are saved as filename:
config photos.doc

INTERTEK TESTING SERVICES

Company: VTech Telecommunications Ltd. Date of Test: August 13-September 21, 2007
Model: IS6110
Mode: Instant Message

4.11.2 Radiated Emissions Data:

Data are included of the worst case configuration (the configuration which resulted in the highest emission levels). A sample calculation, configuration photographs and data tables of the emissions are included. All measurements were performed with peak detection unless otherwise specified.

The data in table 15 list the significant emission frequencies, the limit and the margin of compliance.

Judgment: Passed by 7.4 dB margin

TEST ENGINEER:



Signature

Ken Sit, Supervisor

Typed/Printed Name

24 October, 2007

Date

INTERTEK TESTING SERVICES

Company: VTech Telecommunications Ltd. Date of Test: August 13-September 21, 2007
Model: IS6110
Mode: Instant Message

Table 15

Radiated Emissions Data Pursuant To FCC Part 15 Section 15.109(a) Emissions Requirements

| Polarization | Frequency (MHz) | Reading (dB μ V) | Pre-Amp Gain (dB) | Antenna Factor (dB) | Net at 3m (dB μ V/m) | Limit at 3m (dB μ V/m) | Margin (dB) |
|--------------|--------------------|-------------------------|-------------------------|---------------------------|--------------------------------|----------------------------------|----------------|
| V | 41.859 | 35.9 | 16 | 10.0 | 29.9 | 40.0 | -10.1 |
| V | 82.648 | 41.6 | 16 | 7.0 | 32.6 | 40.0 | -7.4 |
| H | 132.472 | 35.4 | 16 | 14.0 | 33.4 | 43.5 | -10.1 |
| H | 178.254 | 29.2 | 16 | 20.0 | 33.2 | 43.5 | -10.3 |
| H | 216.496 | 31.1 | 16 | 17.0 | 32.1 | 46.0 | -13.9 |
| H | 256.783 | 27.0 | 16 | 21.0 | 32.0 | 46.0 | -14.0 |

NOTES:

1. Quasi-peak detector is used for the emission below or equal to 1000 MHz.
2. All measurements were made at 3 meters.
3. Negative value in the margin column shows emission below limit.

INTERTEK TESTING SERVICES

Company: VTech Telecommunications Ltd. Date of Test: August 13-September 21, 2007
Model: IS6110

4.12 AC Power Lines Conducted Emissions from Computing Device Peripheral Portion of EUT, FCC Rule 15.107(a):

EUT includes computing device peripheral and is subject to the requirements of FCC Part 15 Subpart B. The AC power lines conducted emission shall not exceed the limits of FCC Rule 15.107(a).

Measurements are made in accordance with ANSI C63.4 sub-clause 7. Conducted emissions shall be measured with EUT operating in typical operation modes.

Not applicable – No computing device peripheral

The computing device peripheral portion of EUT is subject to FCC Part 15 Subpart B, Certification. Please refer to the section 4.12.1 for more details.

The computing device peripheral portion of EUT is subject to FCC Part 15 Subpart B, DoC. Emission Data are included in the separated DoC report.

Note: The test result are deemed satisfactory evidence of compliance with Industry Canada Interference-Causing Equipment Standard ICES-003

INTERTEK TESTING SERVICES

Company: VTech Telecommunications Ltd. Date of Test: August 13-September 21, 2007
Model: IS6110
Mode: Instant Message, Computer's AC Port

4.12.1 AC Power Lines Conducted Emissions Configuration Photographs:

Worst Case AC Power Line Conducted Emission
at

15.655 MHz

The worst case AC power Line conducted emission configuration photographs are saved
as filename: config photos.doc

INTERTEK TESTING SERVICES

Company: VTech Telecommunications Ltd. Date of Test: August 13-September 21, 2007
Model: IS6110
Mode: Instant Message, Computer's AC Port

4.12.2 AC Power Line Conducted Emissions Data:

The data on the following pages list the significant emission frequencies, the limit, and the margin of compliance.

Judgment: Passed by 16.0 dB margin

The worst case AC power line conducted emission data are saved as filename: conduct.pdf

TEST ENGINEER:



Signature

Ken Sit, Supervisor
Typed/Printed Name

24 October, 2007

Date

INTERTEK TESTING SERVICES

Company: VTech Telecommunications Ltd. Date of Test: August 13-September 21, 2007
Model: IS6110

4.13 Radio Frequency Radiation Exposure, FCC Rule 15.319(i):

EUT is subject to the radio frequency exposure requirements specified in FCC Rule §§ 1.1307(b), 2.1091 and 2.1093. It shall be considered to operate in a “general population / uncontrolled” environment.

- [x] Handset Unit: EUT was evaluated for Specific Absorption Rate (SAR) evaluation compliance according to OET Bulletin 65, Supplement C (Edition 01-01). It is in compliance with the SAR evaluation requirements. The caution statement specified in the user manual. A SAR test report was submitted at the same time and saved as SAR report 1 of 2.pdf and SAR report 2 of 2.pdf
- [x] Base Unit: EUT was evaluated for Maximum Permissible Exposure (MPE) evaluation compliance according to OET Bulletin 65, Supplement C (Edition 01-01). The evaluation calculation results are saved as filename: RF exposure info.pdf.

INTERTEK TESTING SERVICES

Company: VTech Telecommunications Ltd. Date of Test: August 13-September 21, 2007
Model: IS6110

4.14 Frame Repetition Stability, FCC Rule 15.323(e):

- [] EUT implements Time Division Duplex (TDD) in order to support duplex connection on a given frequency carrier shall maintain a frame repetition rate whereby 3 X the standard deviation of the frequency stability shall not exceed 50 ppm, not including a shift of the mean.
- [x] EUT uses Time Division Multiple Access (TDMA) in order to support multiple communication links on a given frequency carrier shall maintain a frame repetition rate whereby 3 X standard deviation of the frequency stability shall not exceed 10 ppm, not including a shift of the mean.

Measurements are made in accordance with ANSI C63.17 sub-clause 6.2.2. Test setup is shown in section 3.2 Figure 3.2.1. A spectrum analyzer measures the time duration between rising edges of two consecutive frames over a time period of at least 1000 frame periods. These measurement values are used to compute the 3 X standard deviation of the frequency stability.

Test Results:

I. Base Unit:

| Maximum Frame Repetition Stability (ppm) | Limit (ppm) | Results |
|--|-------------|---------|
| 0.08 | 10 | Pass |

II. Handset:

| Maximum Frame Repetition Stability (ppm) | Limit (ppm) | Results |
|--|-------------|---------|
| 0.04 | 10 | Pass |

INTERTEK TESTING SERVICES

Company: VTech Telecommunications Ltd. Date of Test: August 13-September 21, 2007
Model: IS6110

4.15 Frame Period and Jitter, FCC Rule 15.323(e):

The frame period (a set of consecutive time slots in which the position of each time slot can be identified by reference to a synchronizing source) of EUT operating in these sub-bands shall be 20 ms or 10 ms/X where X is a positive whole number.

The jitter (time-related, abrupt, spurious variations in the duration of the frame interval) introduced at the two ends of such a communication link shall not exceed 25 μ s for any two consecutive transmissions. Transmissions shall be continuous in every time and spectrum window during the frame period defined for EUT.

Measurements are made in accordance with ANSI C63.17 sub-clause 6.2.3. Test setup is shown in section 3.2 Figure 3.2.1. A spectrum analyzer measures the time duration between the rising edges of two consecutive frames. The measurements are taken over 100,000 frames. These measurement values are used to compute mean value and the difference between any two consecutive frame periods. The mean value is the frame period.

Test Results:

I. Jitter - Base Unit

| Measured Maximum Jitter (μ s) | Limit (μ s) | Results |
|------------------------------------|------------------|---------|
| -0.18 | ± 25 | Pass |

II. Jitter - Handset

| Measured Maximum Jitter (μ s) | Limit (μ s) | Results |
|------------------------------------|------------------|---------|
| -0.29 | ± 25 | Pass |

INTERTEK TESTING SERVICES

Company: VTech Telecommunications Ltd. Date of Test: August 13-September 21, 2007
 Model: IS6110

4.16 Carrier Frequency Stability, FCC Rule 15.323(f):

The carrier frequency stability of EUT shall be maintained within +/-10 ppm at the following conditions:

1. Over 1 hour at nominal supply voltage and a temperature of +20 °C;
2. Over a variation in the primary supply voltage of 85 % to 115 % of nominal supply voltage at a temperature of +20 °C. This test does not apply to an EUT that is only powered by battery for operation;
3. Over a temperature variation of -20 °C to +50 °C or at extreme temperatures as declared by manufacturer, and at nominal supply voltage.

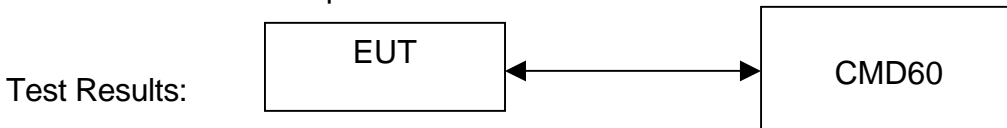
For Base Unit:

The nominal supply voltage: 120 VAC and the extreme temperatures of -20°C to +50°C are declared by manufacturer.

For Handset:

The nominal supply voltage: 2.4 VDC and the extreme temperatures of -20°C to +50°C are declared by manufacturer.

Measurements are made in accordance with ANSI C63.17 sub-clause 6.2.1 The EUT and CMD60 is connected with shielded coaxial cable. The EUT is controlled by DECT Radio Communication Tester, CMD60, to use a fixed frequency channel during test as well as record the frequency offset. The transmission of EUT is in burst mode with pseudo-random data. Test setup is shown as follows.



I. Carrier Frequency Stability over time - Base Unit

| Supply Voltage | Temperature (°C) | Measured Frequency Offset Over an hour (ppm) | | Limit (ppm) | Results |
|----------------|------------------|--|-------|-------------|---------|
| | | Max. | Min. | | |
| Nominal | +20°C | 0.96 | -0.08 | ±10 | Pass |

II. Carrier Frequency Stability over time – Handset

| Supply Voltage | Temperature (°C) | Measured Frequency Offset Over an hour (ppm) | | Limit (ppm) | Results |
|----------------|------------------|--|-------|-------------|---------|
| | | Max. | Min. | | |
| Nominal | +20°C | 0.36 | -0.68 | ±10 | Pass |

INTERTEK TESTING SERVICES

Company: VTech Telecommunications Ltd. Date of Test: August 13-September 21, 2007
Model: IS6110

4.16 Carrier Frequency Stability, FCC Rule 15.323(f): - Continued

III. Carrier Frequency Stability over Power Supply Voltage - Base Unit

| Supply Voltage | Temperature (°C) | Measured Frequency Offset (ppm) | Limit (ppm) | Results |
|----------------|------------------|---------------------------------|-------------|---------|
| 85% | +20°C | 0.96 | ±10 | Pass |
| 115% | +20°C | 0.96 | ±10 | Pass |

IV. Carrier Frequency Stability over Temperature - Base Unit

| Supply Voltage | Temperature (°C) | Measured Frequency Offset (ppm) | Limit (ppm) | Results |
|----------------|------------------|---------------------------------|-------------|---------|
| Nominal | -20°C | -2.16 | ±10 | Pass |
| Nominal | +50°C | -0.08 | ±10 | Pass |

V. Carrier Frequency Stability over Temperature - Handset

| Supply Voltage | Temperature (°C) | Measured Frequency Offset (ppm) | Limit (ppm) | Results |
|----------------|------------------|---------------------------------|-------------|---------|
| Nominal | -20°C | 0.87 | ±10 | Pass |
| Nominal | +50°C | -4.32 | ±10 | Pass |

INTERTEK TESTING SERVICES

Company: VTech Telecommunications Ltd. Date of Test: August 13-September 21, 2007
 Model: IS6110

4.17 Monitoring Threshold:

Monitoring threshold can be relaxed according to FCC Rule 15.323(c)(9). EUT that has a power output lower than the maximum permitted under FCC Rule 15.319(c) may increase their monitoring detection threshold by one decibel for each one decibel that the transmitter power is below the maximum permitted.

Calculation of Monitoring Threshold Limit:

$$\begin{aligned} \text{Monitoring Threshold } (T) &\leq -174 + 10 \log_{10} B + M + P_{\max} - P_{\text{EUT}} \text{ dBm} \\ &\leq 15 \log_{10} B - 184 + M - P_{\text{EUT}} \text{ dBm} \end{aligned}$$

- Where B = Measured Occupied Bandwidth of Base Unit: 1.46 x10⁶ Hz
 B = Measured Occupied Bandwidth of Handset: 1.47 x10⁶ Hz
 M = 30 dB for Lower Monitoring Threshold (T_L), or
 = 50 dB for Upper Monitoring Threshold (T_U)
 P_{\max} = 5 log₁₀ B – 10 dBm
 P_{EUT} = Measured Peak Transmit Power of Base Unit: 19.04 dBm
 P_{EUT} = Measured Peak Transmit Power of Handset: 19.68 dBm

Calculated Monitoring Threshold Limits:

I. Base Unit:

| | |
|---|-------|
| Lower Monitoring Threshold (T_L) in dBm | -80.6 |
| Upper Monitoring Threshold (T_U) in dBm | -60.6 |

II. Handset

| | |
|---|-------|
| Lower Monitoring Threshold (T_L) in dBm | -81.2 |
| Upper Monitoring Threshold (T_U) in dBm | -61.2 |

INTERTEK TESTING SERVICES

Company: VTech Telecommunications Ltd. Date of Test: August 13-September 21, 2007
Model: IS6110

4.17.1 Lower Monitoring Threshold, FCC Rule 15.323(c)(2):

- [x] Not applicable – EUT which supports at least of 40 duplex system access channels and implements Least Interfered Channel (LIC) algorithm is permitted to use an upper monitoring threshold. Please refer to the section 4.17.2 for more details.
- [] The lower monitoring threshold must not be more than 30 dB above the thermal noise power for a bandwidth equivalent to the emission bandwidth used by EUT.

Measurements are made in accordance with ANSI C63.17 sub-clause 7.3.1(b). Test setup is shown in section 3.3 Figure 3.3.1. The test is performed on the carrier closest to center of the band. RF signal generators apply uniform CW interference on all EUT carriers each at level $T_L + 10$ dB. Then, the interference level is reduced uniformly on all carriers until the EUT can transmit. The interference level shall be lower than or equal to the threshold limit.

Test Results:

I. Base Unit

| Measured Maximum Interference Level (dBm) | Adjusted Lower Monitoring Threshold Limit (dBm) | Results |
|---|---|---------|
| NA | -80.6 | NA |

II. Handset

| Measured Maximum Interference Level (dBm) | Adjusted Lower Monitoring Threshold Limit (dBm) | Results |
|---|---|---------|
| NA | -81.2 | NA |

NA - Not Applicable

INTERTEK TESTING SERVICES

Company: VTech Telecommunications Ltd. Date of Test: August 13-September 21, 2007
 Model: IS6110

4.17.2 Least Interfered Channel, LIC, FCC Rule 15.323(c)(5):

- [] Not implemented – EUT met lower monitoring threshold requirements. Please refer to the section 4.17.1 for more details
- [×] If access to spectrum is not available as determined by section 4.17.1 and a minimum of 40 duplex system access channels are defined for the EUT, the time and spectrum windows with the lowest power level below a monitoring threshold of 50 dB above the thermal noise power determined for the emission bandwidth may be accessed

Number of duplex channels per frequency channel = 12
 Number of frequency channel = 5
 Total Duplex Channels = 60

Hence, the time and spectrum windows below upper monitoring threshold may be accessed.

4.17.2.1 Upper Monitoring Threshold, FCC Rule 15.323(c)(5):

Measurements are made in accordance with ANSI C63.17 sub-clause 7.3.2(b). Test setup is shown in section 3.3 Figure 3.3.1. The test is performed on the carrier closest to center of the band. RF signal generators apply uniform CW interference on all EUT carriers each at level $T_U + 10$ dB. Then, the interference level is reduced uniformly on all carriers until the EUT can transmit. The interference level shall be lower than or equal to the threshold limit.

Test Results:

I. Base Unit:

| Measured Maximum Interference Level (dBm) | Upper Monitoring Threshold Limit (dBm) | Results |
|---|--|---------|
| -64.6 | -60.6 | Pass |

II. Handset:

| Measured Maximum Interference Level (dBm) | Upper Monitoring Threshold Limit (dBm) | Results |
|---|--|---------|
| -64.2 | -61.2 | Pass |

INTERTEK TESTING SERVICES

Company: VTech Telecommunications Ltd. Date of Test: August 13-September 21, 2007
 Model: IS6110

4.17.2.2 Least Interfered Channel (LIC) Selection, FCC Rule 15.323(c)(5):

The criteria are specified in section 4.17.2. In addition, the power measurement resolution for this comparison must be accurate to within 6 dB.

Measurements are made in accordance with ANSI C63.17 sub-clause 7.3.3. Test setup is shown in section 3.3 Figure 3.3.1. RF signal generators apply uniform CW interference on all EUT carriers except two carriers (designated f_1 and f_2), each at level T_U . EUT can only transmit on these two carriers.

Test Descriptions and Results:

I. LIC Procedure - Base Unit:

| | Test Descriptions | EUT transmits on | Results |
|---|--|------------------|---------|
| 1 | Apply interference on f_1 at level $T_L + 7$ dB. Apply interference on f_2 at level T_L . Initiate transmission. Verify transmission on f_2 . Terminate transmission. Repeat 5 times. | f_2 | Pass |
| 2 | Apply interference on f_1 at level T_L . Apply interference on f_2 at level $T_L + 7$ dB. Initiate transmission. Verify transmission on f_1 . Terminate transmission. Repeat 5 times. | f_1 | Pass |
| 3 | Apply interference on f_1 at level $T_L + 1$ dB. Apply interference on f_2 at level $T_L - 6$ dB. Initiate transmission. Verify transmission on f_2 . Terminate transmission. Repeat 5 times. | f_2 | Pass |
| 4 | Apply interference on f_1 at level $T_L - 6$ dB. Apply interference on f_2 at level $T_L + 1$ dB. Initiate transmission. Verify transmission on f_1 . Terminate transmission. Repeat 5 times. | f_1 | Pass |

INTERTEK TESTING SERVICES

Company: VTech Telecommunications Ltd. Date of Test: August 13-September 21, 2007
Model: IS6110

4.17.2.2 Least Interfered Channel (LIC) Selection, FCC Rule 15.323(c)(5): - Continued

II. LIC Procedure - Handset:

| | Test Descriptions | EUT transmits on | Results |
|---|--|------------------|---------|
| 1 | Apply interference on f_1 at level $T_L + 7$ dB. Apply interference on f_2 at level T_L . Initiate transmission. Verify transmission on f_2 . Terminate transmission. Repeat 5 times. | f_2 | Pass |
| 2 | Apply interference on f_1 at level T_L . Apply interference on f_2 at level $T_L + 7$ dB. Initiate transmission. Verify transmission on f_1 . Terminate transmission. Repeat 5 times. | f_1 | Pass |
| 3 | Apply interference on f_1 at level $T_L + 1$ dB. Apply interference on f_2 at level $T_L - 6$ dB. Initiate transmission. Verify transmission on f_2 . Terminate transmission. Repeat 5 times. | f_2 | Pass |
| 4 | Apply interference on f_1 at level $T_L - 6$ dB. Apply interference on f_2 at level $T_L + 1$ dB. Initiate transmission. Verify transmission on f_1 . Terminate transmission. Repeat 5 times. | f_1 | Pass |

INTERTEK TESTING SERVICES

Company: VTech Telecommunications Ltd. Date of Test: August 13-September 21, 2007
Model: IS6110

4.17.2.3 Least Interfered Channel (LIC) Confirmation, FCC Rule 15.323(c)(5):

EUT utilizing the provision of FCC Rule 15.323(c)(5) must have monitored all access channels defined for its system within the last 10 s and must verify, within the 20 ms (40 ms for EUT designed to use a 20 ms frame period) immediately preceding actual channel access that the detected power of the selected time and spectrum windows is no higher than the previously detected value.

Measurements are made in accordance with ANSI C63.17 sub-clause 7.3.4. This test is performed in section 4.18.

Results:

The tests are reported in section 4.18.

4.17.2.4 Maximum Spectrum Occupancy, FCC Rule 15.323(c)(5):

No EUT or group of co-operating EUTs located within 1 meter of each other shall during any frame period occupy more than 6 MHz of aggregate bandwidth, or alternatively, more than one third of the time and spectrum windows defined by the EUT.

Attestation:

According to the technical description provided, the total number of the time and spectrum windows defined by the system is $5 \times 8 = 40$

During any frame period, the maximum number of time and spectrum windows occupied by the system will be 8, which is less than one third of the time and spectrum windows defined by the system.

INTERTEK TESTING SERVICES

Company: VTech Telecommunications Ltd. Date of Test: August 13-September 21, 2007
Model: IS6110

4.18 Monitoring Time, FCC Rule 15.323(c)(1):

Immediately prior to initiating transmission, EUT must monitor the combined time and spectrum windows in which they intend to transmit for a period of at least 10 ms for EUT designed to use a 10 ms or shorter frame period, or at least 20 ms for EUT designed to use a 20 ms frame period.

Measurements are made in accordance with ANSI C63.17 sub-clause 7.3.4. Test setup is shown in section 3.3 Figure 3.3.1. RF signal generators apply uniform CW interference on all system carriers except two carriers (designated f_1 and f_2), each at level T_U . EUT can only transmit on these two carriers.

Test Descriptions and Results:

I. Base Unit:

| | Test Descriptions | EUT transmits on | Results |
|---|--|------------------|---------|
| 1 | Apply interference on f_1 at level T_U , and no interference on f_2 . Initiate transmission. Verify transmission on f_2 . Then, terminate transmission. | f_2 | Pass |
| 2 | Apply interference on f_2 at level T_U , and remove interference from f_1 immediately. Also immediately initiate transmission but is at least 20 ms after interference on f_2 is applied. Verify transmission on f_1 . | f_1 | Pass |

II. Handset:

| | Test Descriptions | EUT transmits on | Results |
|---|--|------------------|---------|
| 1 | Apply interference on f_1 at level T_U , and no interference on f_2 . Initiate transmission. Verify transmission on f_2 . Then, terminate transmission. | f_2 | Pass |
| 2 | Apply interference on f_2 at level T_U , and remove interference from f_1 immediately. Also immediately initiate transmission but is at least 20 ms after interference on f_2 is applied. Verify transmission on f_1 . | f_1 | Pass |

INTERTEK TESTING SERVICES

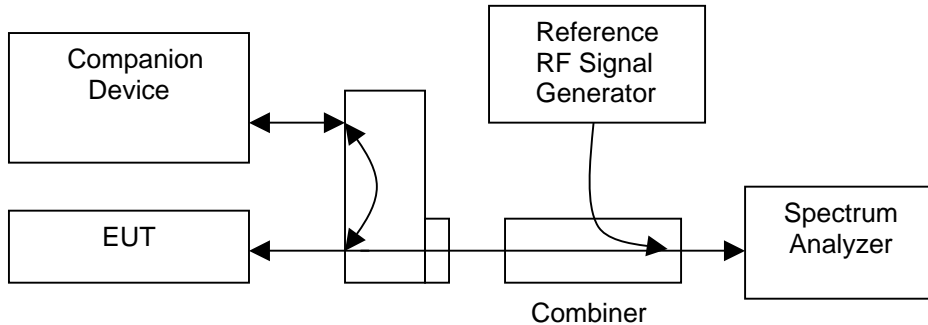
Company: VTech Telecommunications Ltd. Date of Test: August 13-September 21, 2007
 Model: IS6110

4.19 Maximum Transmit Period, FCC Rule 15.323(c)(3):

If no signal above the threshold level is detected, transmission may commence and continue with the same emission bandwidth in the monitored time and spectrum windows without further monitoring. However, occupation of the same combined time and spectrum windows by a EUT or group of co-operating EUTs continuously over a period of time longer than 8 hours is not permitted without repeating the access criteria.

EUT establishes a communication channel with its companion device, which occupies the duplex pair combined time and spectrum windows. Reference RF signal generator synchronized with the sample and then generated a pulse as a time frame reference. The centre frequency of spectrum analyzer was set to the carrier frequency and the SPAN was set to ZERO. The spectrum analyzer was used to monitor the time (reference to the time signal) and spectrum of the communication channel. The occupied time or spectrum of the communication channel shall be changed over a period of time no longer than 8 hours. For a EUT with a frame period of 10/X ms, no more than 2,880,000 X frames should be transmitted without a break.

Test setup is shown as follows:



Test Results:

I. Base Unit:

| Measured Maximum Transmission Duration (seconds) | Limit (seconds) | Results |
|--|-----------------|---------|
| 600 | 28,800 | Pass |

II. Handset:

| Measured Maximum Transmission Duration (seconds) | Limit (seconds) | Results |
|--|-----------------|---------|
| 600 | 28,800 | Pass |

INTERTEK TESTING SERVICES

Company: VTech Telecommunications Ltd. Date of Test: August 13-September 21, 2007
Model: IS6110

4.20 System Acknowledgement, FCC Rule 15.323(c)(4):

Once access to specific combined time and spectrum windows is obtained an acknowledgment from a system participant must be received by the initiating transmitter within one second or transmission must cease. Periodic acknowledgments must be received at least every 30 seconds or transmission must cease. Channels used exclusively for control and signaling information may transmit continuously for 30 seconds without receiving an acknowledgment, at which time the access criteria must be repeated.

Measurements are made in accordance with ANSI C63.17 sub-clause 8.1.1 and 8.2.1. Test setup is shown in section 3.3 Figure 3.3.1.

Test Results:

I. Base Unit

[x] Timing for EUTs using control and signaling channel type transmissions:

| Conditions | Transmission Duration (seconds) | Limit (seconds) | Results |
|---------------------------------------|---------------------------------|-----------------|---------|
| Time needed to repeat access criteria | 5 | 30 | Pass |

[x] Timing for EUTs using communications channel type transmissions:

| Conditions | Transmission Duration (seconds) | Limit (seconds) | Results |
|--------------------------------------|---------------------------------|-----------------|---------|
| Activate EUT w/ companion device off | NA | 1 | NA |
| Time needed to cease Traffic Channel | 3 | 30 | Pass |

NA - Not applicable

INTERTEK TESTING SERVICES

Company: VTech Telecommunications Ltd. Date of Test: August 13-September 21, 2007
Model: IS6110

4.20 System Acknowledgement, FCC Rule 15.323(c)(4): - Continued

Test Results:

II. Handset

Timing for EUTs using control and signaling channel type transmissions:

| Conditions | Transmission Duration (seconds) | Limit (seconds) | Results |
|---------------------------------------|---------------------------------|-----------------|---------|
| Time needed to repeat access criteria | NA | 30 | NA |

Timing for EUTs using communications channel type transmissions:

| Conditions | Transmission Duration (seconds) | Limit (seconds) | Results |
|--------------------------------------|---------------------------------|-----------------|---------|
| Activate EUT w/ companion device off | 0 | 1 | Pass |
| Time needed to cease Traffic Channel | 5 | 30 | Pass |

NA - Not applicable

INTERTEK TESTING SERVICES

Company: VTech Telecommunications Ltd. Date of Test: August 13-September 21, 2007
Model: IS6110

4.21 Random Waiting, FCC Rule 15.323(c)(6):

If the selected combined time and spectrum windows are unavailable, the EUT may either monitor and select different windows or seek to use the same windows after waiting an amount of time, randomly chosen from a uniform random distribution between 10 and 150 ms, commencing when the channel becomes available.

Measurements are made in accordance with ANSI C63.17 sub-clause 8.1.2 and 8.1.3. Test setup is shown in section 3.3 Figure 3.3.1.

Test Results:

I. Base Unit:

Random Waiting Interval is not implemented in the EUT:

| Conditions | Transmit Channel | Results |
|--|------------------|---------|
| Interference applied at operating Channel, f_1 | f_2 | Pass |

Random waiting is implemented in the EUT:

| Maximum time interval from the end of interference to the start of the control channel | The distribution of the measured time intervals | Results |
|--|---|---------|
| NA | NA | NA |

II. Handset

Random Waiting Interval is not implemented in the EUT:

| Conditions | Transmit Channel | Results |
|--|------------------|---------|
| Interference applied at operating Channel, f_1 | NA | NA |

Random waiting is implemented in the EUT:

| Maximum time interval from the end of interference to the start of the control channel | The distribution of the measured time intervals | Results |
|--|---|---------|
| NA | NA | NA |

NA - Not applicable

INTERTEK TESTING SERVICES

Company: VTech Telecommunications Ltd. Date of Test: August 13-September 21, 2007
Model: IS6110

4.22 Monitoring Bandwidth, FCC Rule 15.323(c)(7).1:

The monitoring bandwidth must be equal to or greater than the emission bandwidth of the intended transmission.

Measurements are made in accordance with ANSI C63.17 sub-clause 7.4. Test setup is shown in section 3.3 Figure 3.3.1.

Test Results:

I. Simple Compliance Test Results - Base Unit:

| Interference from Carrier | Reaction of EUT | Results |
|---------------------------|-----------------|---------|
| -30% EBW | NA | NA |
| + 30% EBW | NA | NA |

II. Detailed Compliance Test Results - Base Unit

| CW Interference from Carrier | Reaction of EUT | Results |
|------------------------------|-----------------|---------|
| + 6 dB | B | Pass |
| + 12 dB | B | Pass |
| - 6 dB | B | Pass |
| - 12 dB | B | Pass |

- A – Could Transmit
- B – Could not Transmit
- NA – Not applicable

*Remarks: Detailed Compliance Test was used to show the compliance of the EUT.

INTERTEK TESTING SERVICES

Company: VTech Telecommunications Ltd. Date of Test: August 13-September 21, 2007
Model: IS6110

4.22 Monitoring Bandwidth, FCC Rule 15.323(c)(7).1: - Continued

III. Simple Compliance Test Results - Handset:

| Interference from Carrier | Reaction of EUT | Results |
|---------------------------|-----------------|---------|
| -30% Occupied Bandwidth | NA | NA |
| +30% Occupied Bandwidth | NA | NA |

IV. Detailed Compliance Test Results - Handset:

| CW Interference from Carrier | Reaction of EUT | Results |
|------------------------------|-----------------|---------|
| + 6 dB | B | Pass |
| + 12 dB | B | Pass |
| - 6 dB | B | Pass |
| - 12 dB | B | Pass |

- A – Could Transmit
- B – Could not Transmit
- NA – Not applicable

* Remarks: Detailed Compliance Test was used to show the compliance of the EUT.

INTERTEK TESTING SERVICES

Company: VTech Telecommunications Ltd. Date of Test: August 13-September 21, 2007
Model: IS6110

4.23 Maximum Reaction Time, FCC Rule 15.323(c)(7).2:

The monitoring system bandwidth must have a maximum reaction time less than $50 \times \text{SQRT}(1.25/\text{emission bandwidth } B \text{ in MHz}) \mu\text{s}$ for signals at the applicable threshold level but shall not be required to be less than $50 \mu\text{s}$. If a signal is detected that is 6 dB or more above the applicable threshold level, the maximum reaction time shall be $35 \times \text{SQRT}(1.25/\text{emission bandwidth } B \text{ in MHz}) \mu\text{s}$ but shall not be required to be less than $35 \mu\text{s}$.

Measurements are made in accordance with ANSI C63.17 sub-clause 7.5. Test setup is shown in section 3.3 Figure 3.3.1.

Test Results:

I. Base Unit:

| | Test | Reaction of EUT | Results |
|---|---|-----------------|---------|
| 1 | With Interference Pulse, 50 μs | B | Pass |
| 2 | With Interference Pulse, 35 μs | B | Pass |

II. Handset

| | Test | Reaction of EUT | Results |
|---|---|-----------------|---------|
| 1 | With Interference Pulse width, 50 μs | B | Pass |
| 2 | With Interference Pulse width, 35 μs | B | Pass |

- A – Could be connected in at least one channel
- B – Could not be connected in all channels
- NA – Not applicable

INTERTEK TESTING SERVICES

Company: VTech Telecommunications Ltd. Date of Test: August 13-September 21, 2007
Model: IS6110

4.24 Monitoring Antenna, FCC Rule 15.323(c)(8):

The monitoring system shall use the same antenna used for transmission, or an antenna that yields equivalent reception at that location.

EUT uses the same antenna used for transmission and monitoring that is in compliance meet above provision.

EUT uses difference antenna used for transmission and monitoring. It must be verified that the monitoring antenna provides coverage equivalent to that of the transmitting antenna. Measurements are made in accordance with ANSI C63.17 sub-clause 4.

INTERTEK TESTING SERVICES

Company: VTech Telecommunications Ltd. Date of Test: August 13-September 21, 2007
Model: IS6110

4.25 Duplex Connections, FCC 15.323(c)(10):

An initiating device may attempt to establish a duplex connection by monitoring both its intended transmit (Tx) and receive (Rx) time and spectrum windows. If both the intended transmit and receive time and spectrum windows meet the access criteria, then the initiating device can initiate a transmission in the intended transmit time and spectrum window. If the power detected by the responding device can be decoded as a duplex connection signal from the initiating device, then the responding device may immediately begin transmitting on the receive time and spectrum window monitored by the initiating device.

Measurements are made in accordance with ANSI C63.17 sub-clause 8.3. Test setup is shown in section 3.3 Figure 3.3.1.

Attestation:

Base Unit: Not applicable.

Handset: The EUT is the initiating device of the duplex connection

Test Results:

I. Base Unit

Dual Access Criteria Check for EUT not Implemented the Upper Threshold:

| Interference | Reaction of EUT | Results |
|--|-----------------|---------|
| All Tx and Rx Window, except one for Rx Window | NA | NA |
| All Tx and Rx Window, except one for Tx Window | NA | NA |

- A – Could be connected on the target Rx window and its duplex mate
- B – Could be connected on the target Tx window and its duplex mate
- C – Could not be connected
- NA – Not applicable

INTERTEK TESTING SERVICES

Company: VTech Telecommunications Ltd. Date of Test: August 13-September 21, 2007
 Model: IS6110

4.25 Duplex Connections, FCC 15.323(c)(10): continued

II. Base Unit:

Dual Access Criteria Check for EUT Implemented the Upper Threshold:

| Interference | Reaction of EUT | Results |
|---|-----------------|---------|
| All Tx windows with level T_L & Rx windows with level T_L+7dB , except one for Tx window & one for Rx window, which are not duplex. | NA | NA |
| All Tx windows with level T_L+7dB & Rx windows with level T_L , except one for Tx window & one for Rx, which are not duplex | NA | NA |
| All Tx & Rx windows with level T_U , except one for Tx window & one fro Rx Window, which are not duplex | NA | NA |

III. Handset:

Dual Access Criteria Check for EUT Implemented the Upper Threshold:

| Interference | Reaction of EUT | Results |
|---|-----------------|---------|
| All Tx windows with level T_L & Rx windows with level T_L+7dB , except one for Tx window & one for Rx window, which are not duplex. | A | Pass |
| All Tx windows with level T_L+7dB & Rx windows with level T_L , except one for Tx window & one for Rx, which are not duplex | B | Pass |
| All Tx & Rx windows with level T_U , except one for Tx window & one fro Rx Window, which are not duplex | C | Pass |

- A – Could be connected on the target Rx window and its duplex mate
- B – Could be connected on the target Tx window and its duplex mate
- C – Could not be connected
- NA – Not applicable

INTERTEK TESTING SERVICES

Company: VTech Telecommunications Ltd. Date of Test: August 13-September 21, 2007
Model: IS6110

4.26 Alternative Monitoring Interval for Co-located Device, FCC Rule 15.323(c)(11):

An initiating device that is prevented from monitoring during its intended transmit window due to monitoring system blocking from the transmissions of a co-located (within one meter) transmitter of the same system, may monitor the portions of the time and spectrum windows in which they intend to receive over a period of at least 10 ms. The monitored time and spectrum window must total at least 50 % of the 10 ms frame interval and the monitored spectrum must be within the 1.25 MHz frequency channel(s) already occupied by that device or co-located co-operating devices. If the access criteria is met for the intended receive time and spectrum window under the above conditions, then transmission in the intended transmit window by the initiating device may commence.

Measurements are made in accordance with ANSI C63.17 sub-clause 8.4.

Attestation:

- Appropriate as it is Co-located Device, in which the monitoring system will be blocked from the transmissions of a co-located (Within one meter) transmitter of the same system. Please refer to attachment, 15.323(c)(11).pdf, for details.
- Not appropriate, as it is Cordless Telephone Application.

INTERTEK TESTING SERVICES

Company: VTech Telecommunications Ltd. Date of Test: August 13-September 21, 2007
Model: IS6110

4.27 Fair Access, FCC Rule 15.323(c)(12):

The provisions of FCC Rule 15.323(c)(10) or (c)(11) shall not be used to extend the range of spectrum occupied over space or time for the purpose of denying fair access to spectrum to other devices.

Attestation:

The manufacturer declares that the device does not use any mechanisms as provided by Part 15.323(c)(10) or (c)(11) to extend the range of spectrum occupied over space or time for the purpose of denying fair access to spectrum to other devices.

The Declaration is saved as filename: declaration.pdf.

**EXHIBIT 5
EQUIPMENT PHOTOGRAPHS**

INTERTEK TESTING SERVICES

5.0 Equipment Photographs

The photographs are saved as filename: external photos.doc & internal photos.doc

**EXHIBIT 6
PRODUCT LABELLING**

INTERTEK TESTING SERVICES

6.0 Product Labelling

The FCC ID label artwork and its location are saved as filename: label.pdf

The label location justification letter is saved as filename: justification.pdf

**EXHIBIT 7
TECHNICAL SPECIFICATIONS**

INTERTEK TESTING SERVICES

7.0 Technical Specifications

The block diagram and circuit diagram are saved as filename: block.pdf and circuit.pdf respectively.

**EXHIBIT 8
INSTRUCTION MANUAL**

INTERTEK TESTING SERVICES

8.0 Instruction Manual

A preliminary copy of the Instruction Manual is saved as filename: manual.pdf

The required FCC Information to the User is stated on P.90 and P.93 of Instruction Manual.

This manual will be provided to the end-user with each unit sold/leased in the United States.

**EXHIBIT 9
UTAM Affidavit**

INTERTEK TESTING SERVICES

9.0 UTAM Affidavit

A copy of the UTAM affidavit is saved as filename: utam.pdf

INTERTEK TESTING SERVICES

**EXHIBIT 10
CONFIDENTIALITY REQUEST**

INTERTEK TESTING SERVICES

10.0 Confidentiality Request

A copy of the Confidentiality Request is saved as filename: request.pdf