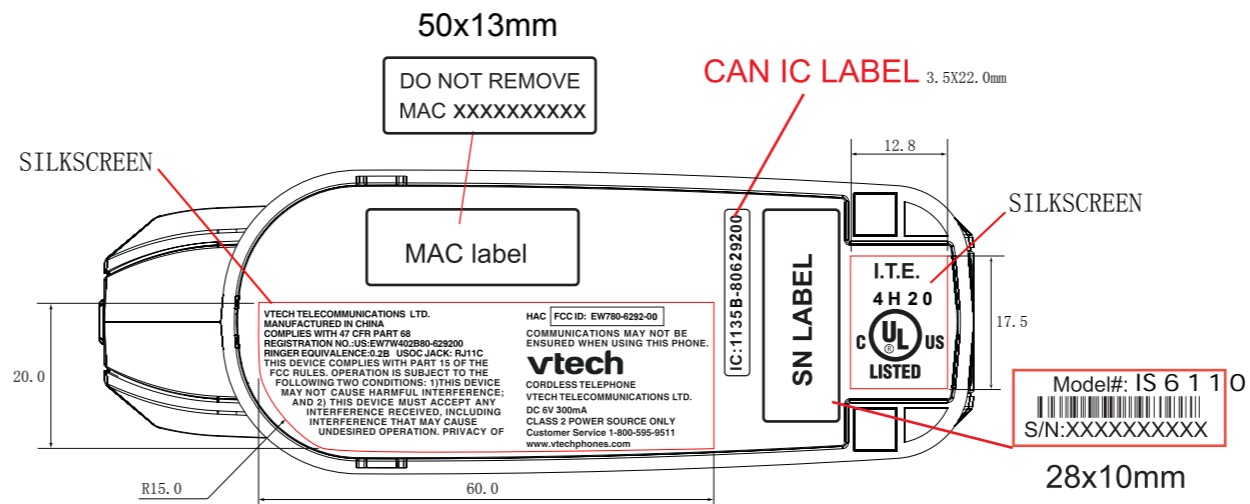
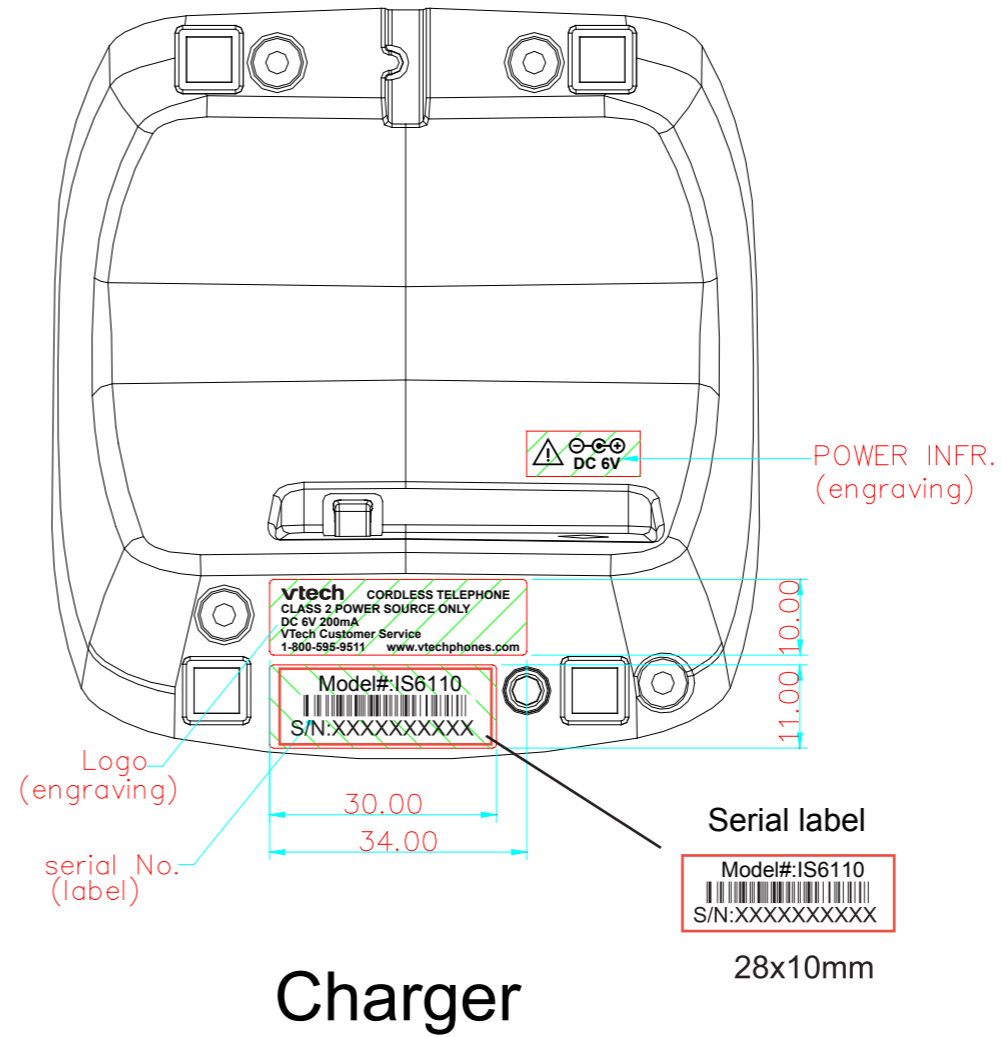
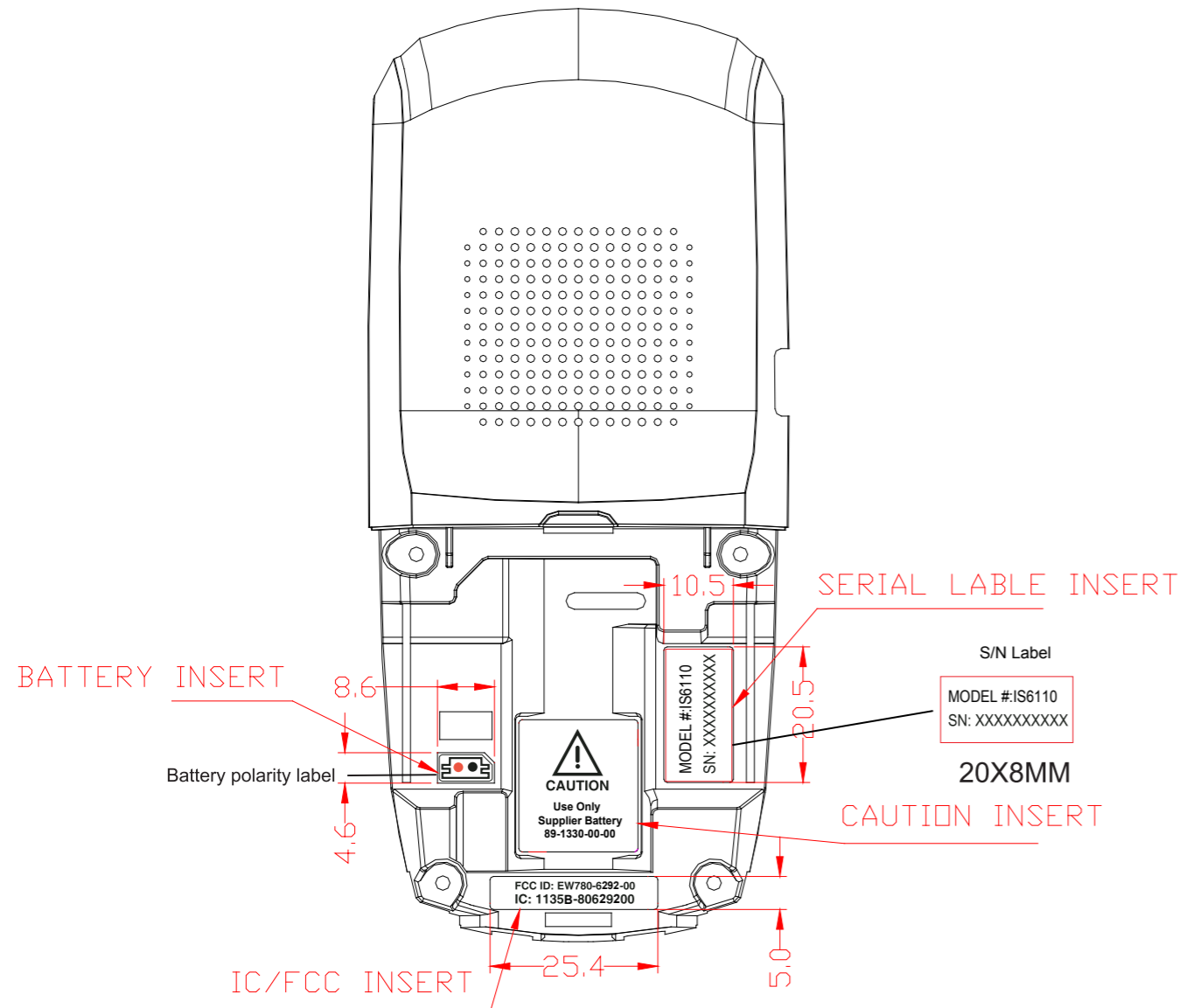


IS6110 Engraving draft



NOTE: The text on BS BTM was small, should be silkscreen.

