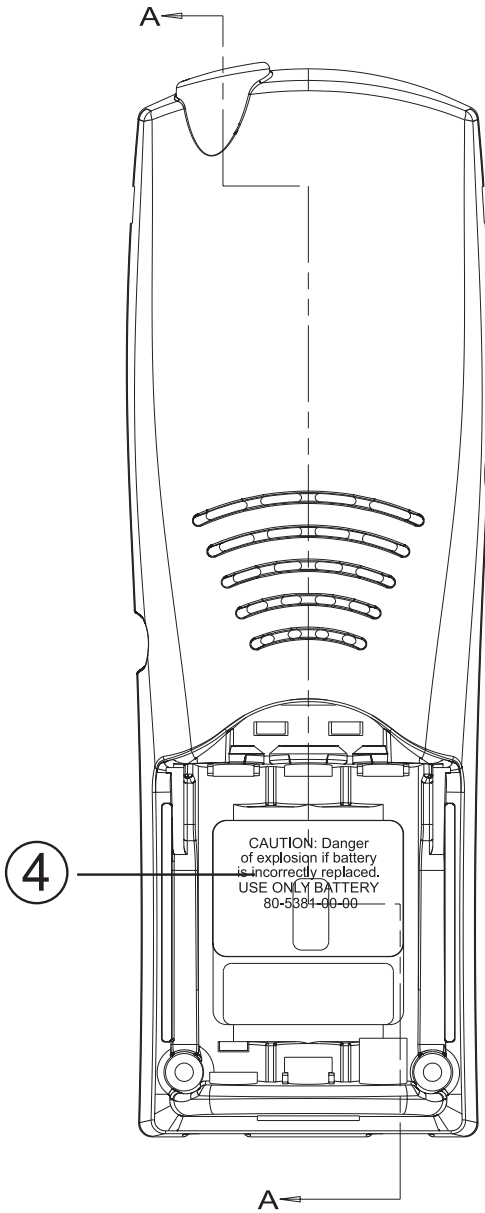
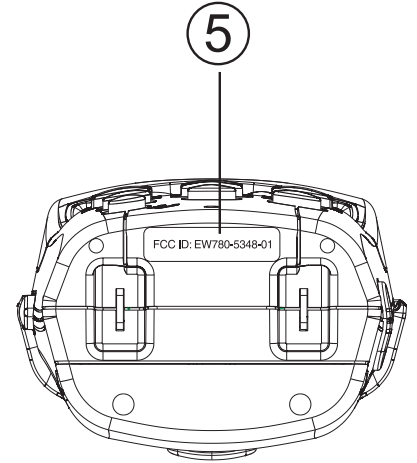


**Model: VTech 5825/5850**



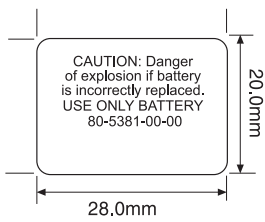
**30-1509-hs rear**



**30-1511 hs front**

4

CAUTION: Danger of explosion if battery is incorrectly replaced.  
USE ONLY BATTERY  
80-5381-00-00



4

**30-1509-hs rear**



5

**30-1511 hs front**