

6 5 4 3 2 1

REVISION	
REV	DESCRIPTION
0	RELEASE FOR PA

D

D

C

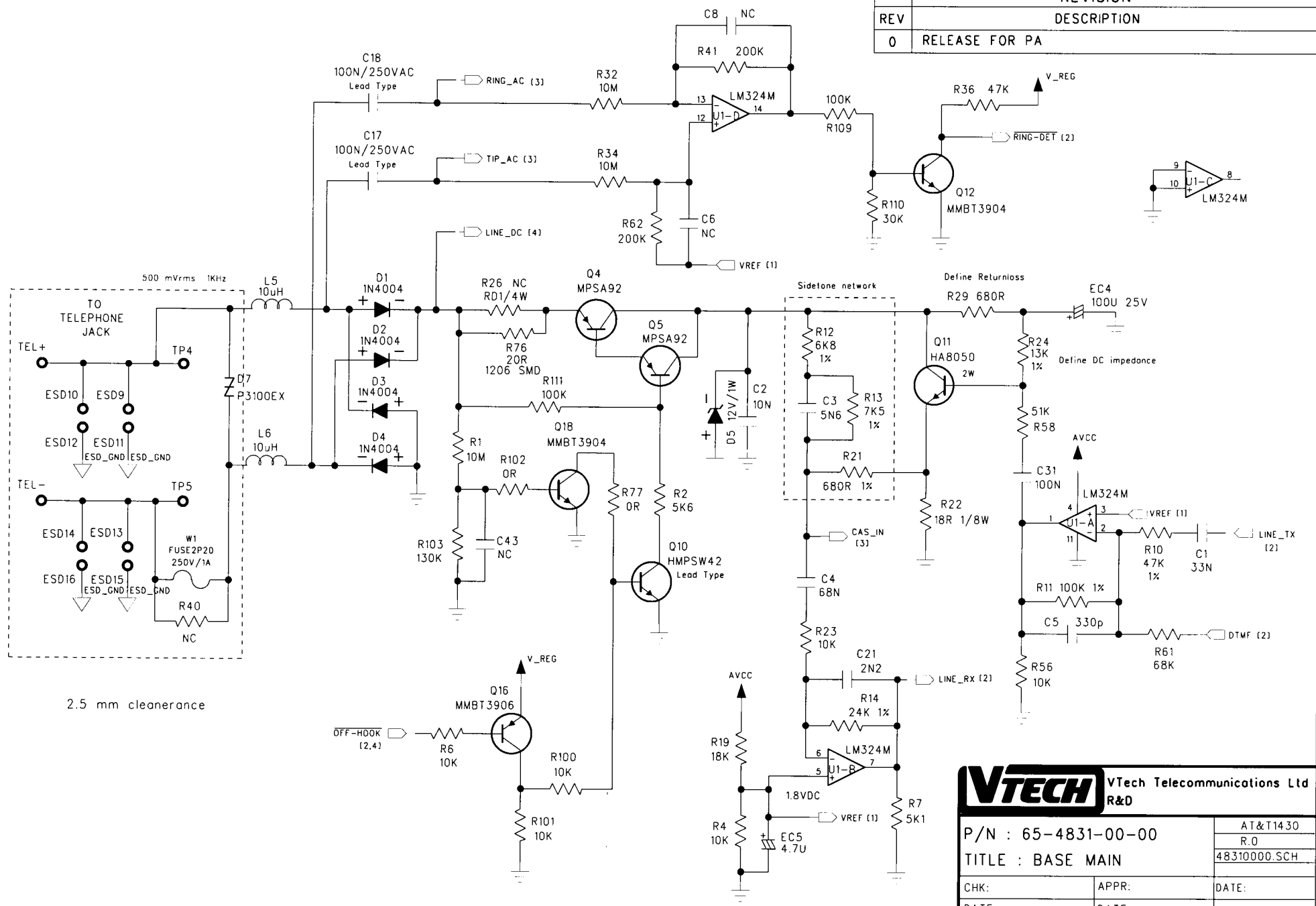
C

B

B

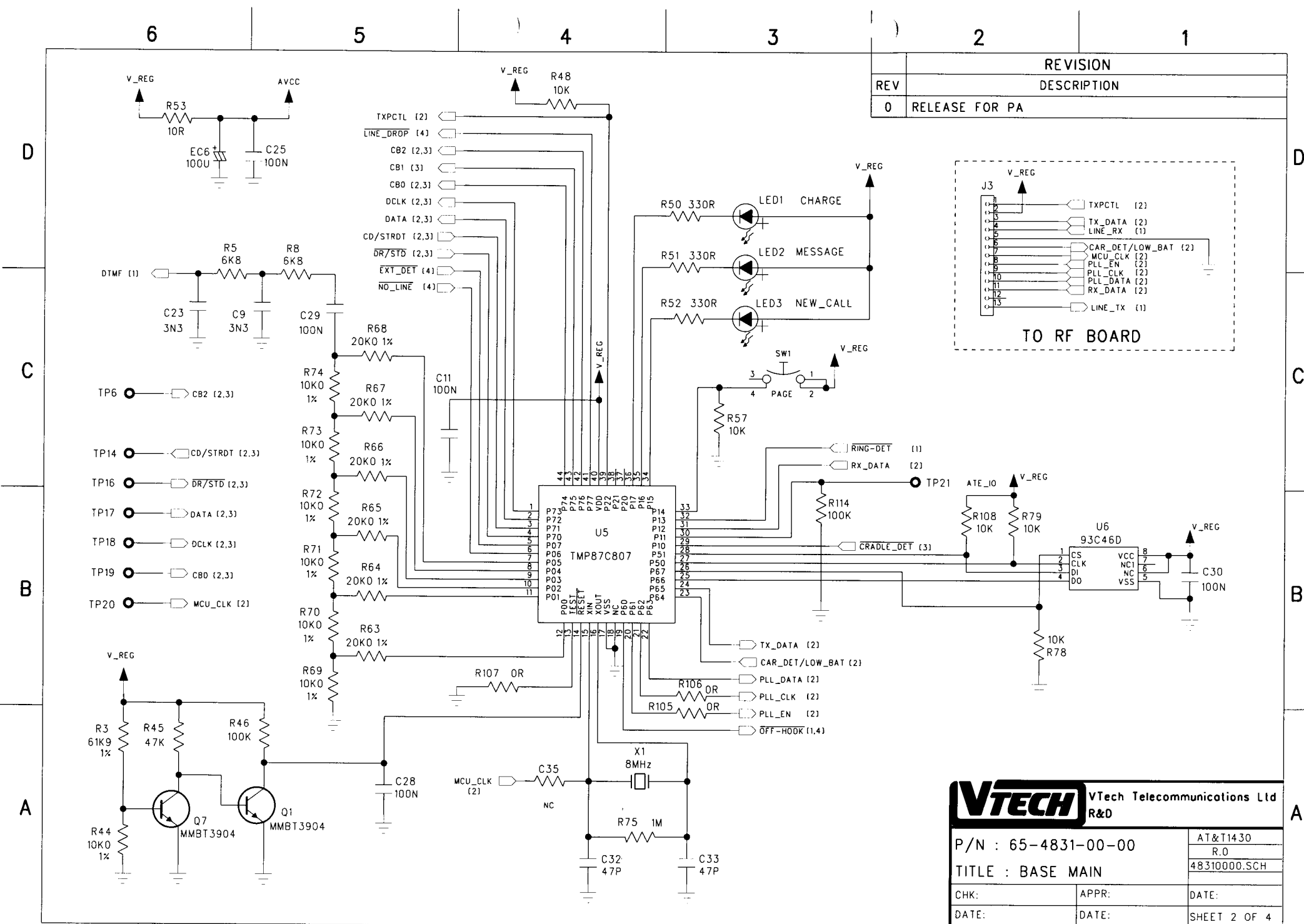
A

A

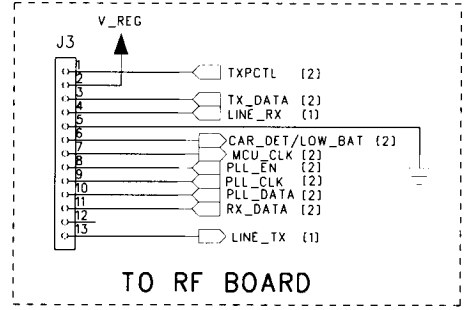


VTECH VTech Telecommunications Ltd
R&D

P/N : 65-4831-00-00	AT&T1430	
TITLE : BASE MAIN	R.O	
	48310000.SCH	
CHK:	APPR:	DATE:
DATE:	DATE:	SHEET 1 OF 4



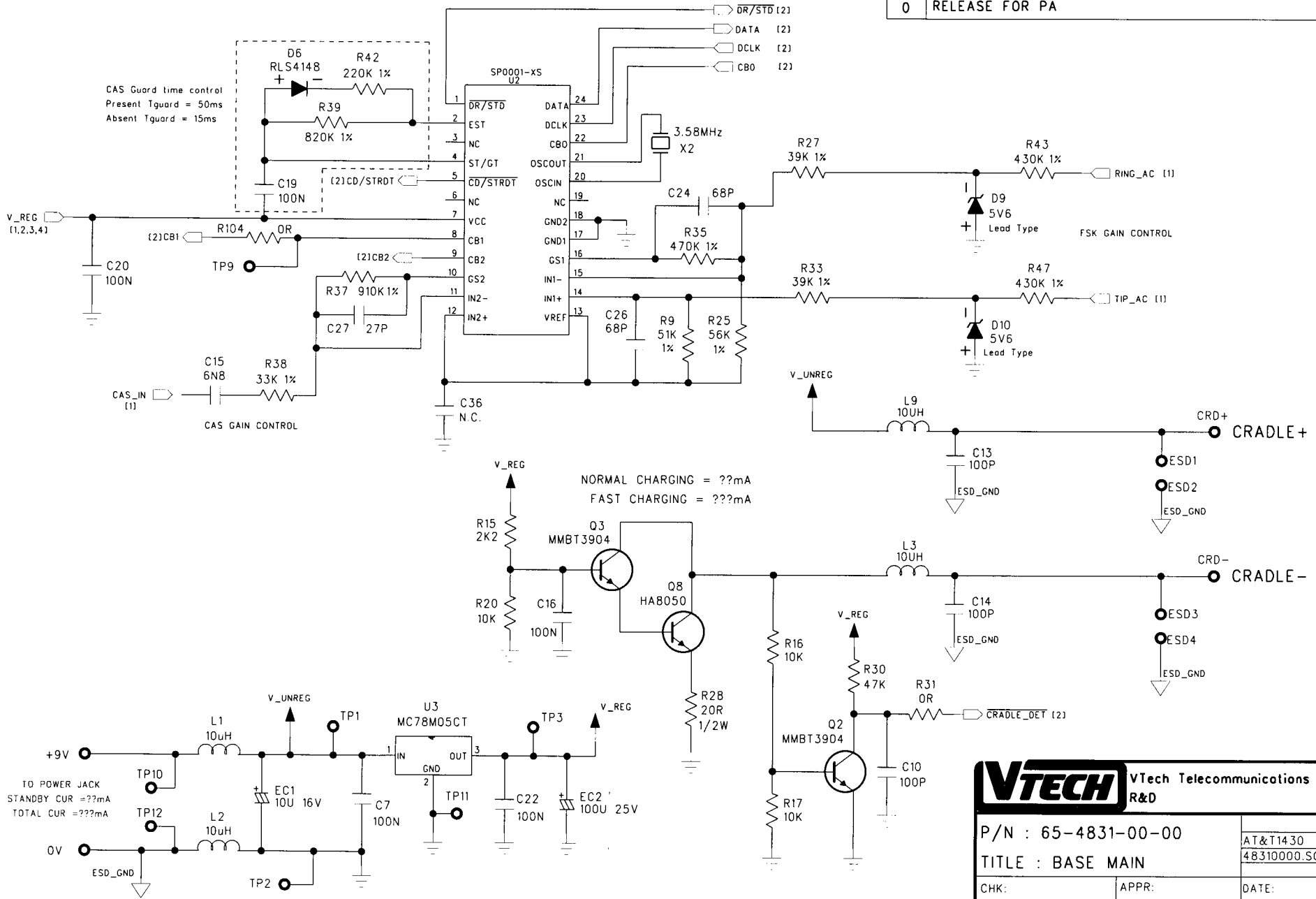
REVISION	
REV	DESCRIPTION
0	RELEASE FOR PA



VTECH VTech Telecommunications Ltd
R&D

P/N : 65-4831-00-00		AT&T1430
TITLE : BASE MAIN		R.O
		48310000.SCH
CHK:	APPR:	DATE:
DATE:	DATE:	SHEET 2 OF 4

REVISION	
REV	DESCRIPTION
0	RELEASE FOR PA

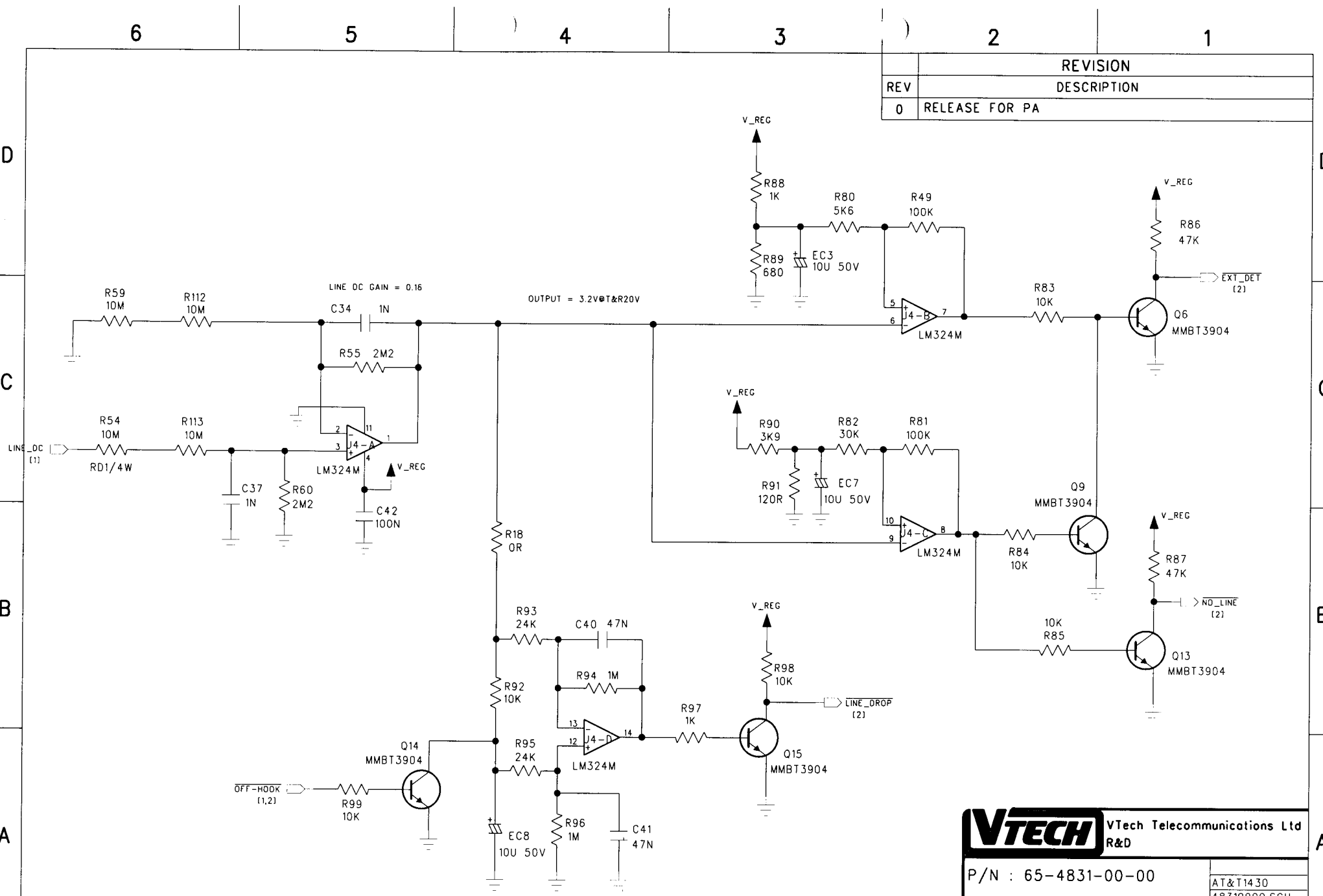


VTECH VTech Telecommunications Ltd
R&D

P/N : 65-4831-00-00	AT&T1430
TITLE : BASE MAIN	48310000.SCH
CHK:	APPR:
DATE:	DATE:

SHEET 3 OF 4

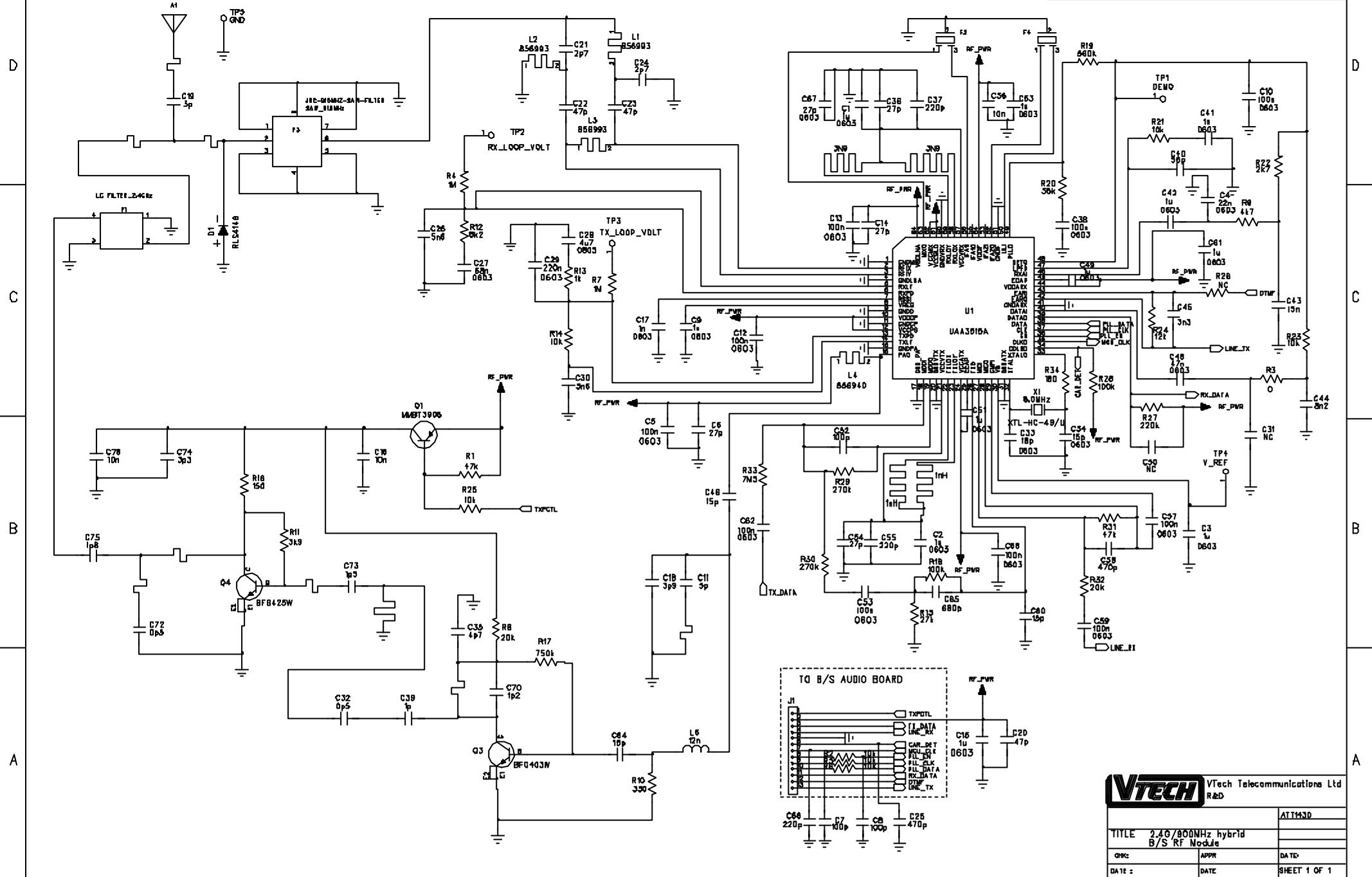
REVISION	
REV	DESCRIPTION
0	RELEASE FOR PA



VTECH VTech Telecommunications Ltd
R&D

P/N : 65-4831-00-00		AT&T1430
TITLE : BASE MAIN		48310000.SCH
CHK:	APPR:	DATE:
DATE:	DATE:	SHEET 4 OF 4

REVISION	
REV	DESCRIPTION
A	



VTech VTech Telecommunications Ltd
R&D

TITLE 2.4G/800MHz hybrid B/S Rf Module		ATTM3D
CHKC	APPR	DATE
DATE :	DATE	SHEET 1 OF 1