

## Base audio

The audio circuits in the base provide for speech exchange between the telephone line interface and the RF module that communicates with the handset. Figure 1 shows the circuitry for audio processing in the base unit.

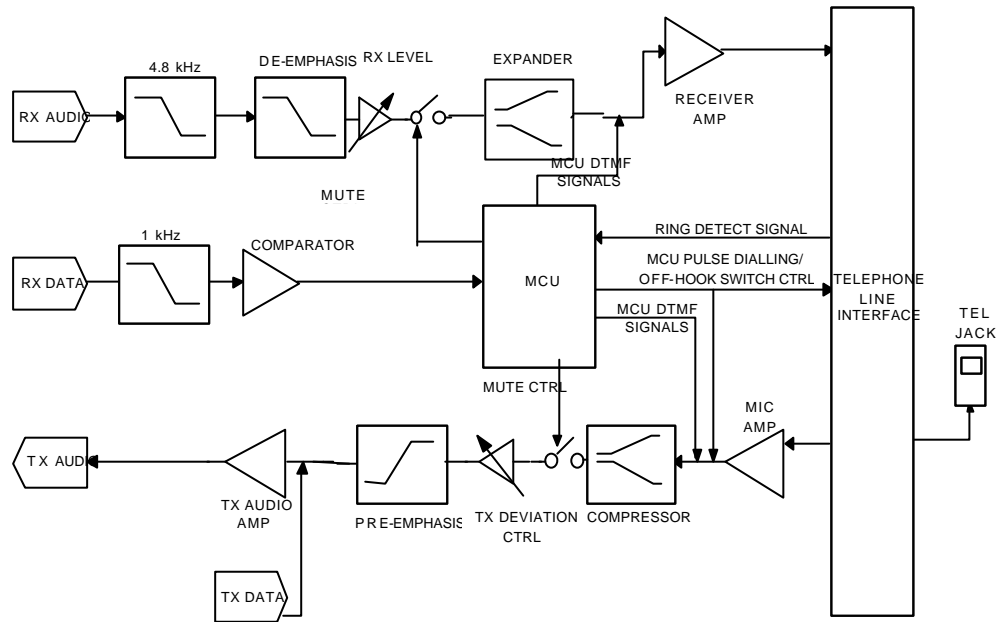


Figure 1. Audio Circuits in Base Unit

### Base RF module

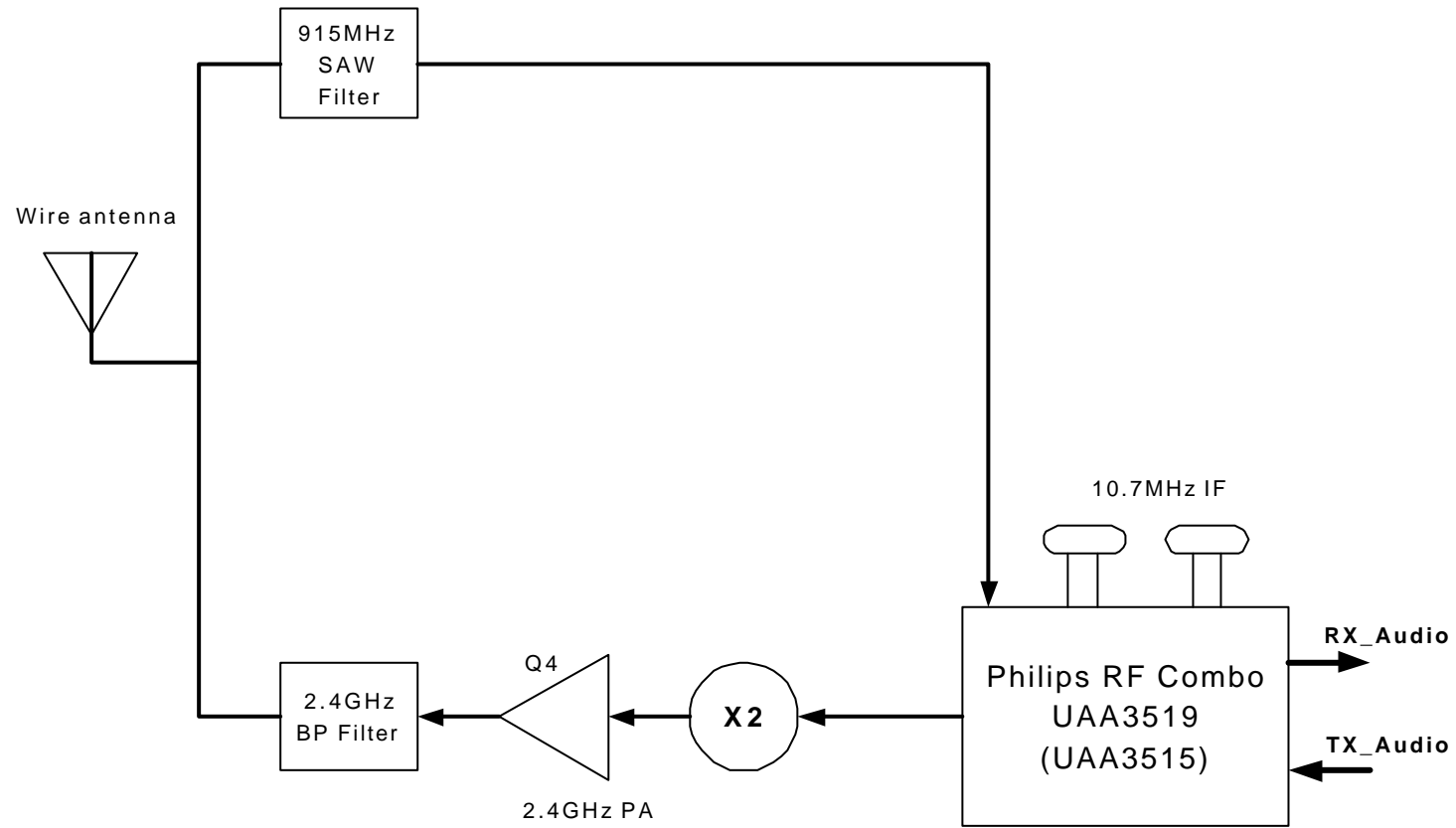


Figure 4. RF Circuits in Base Unit