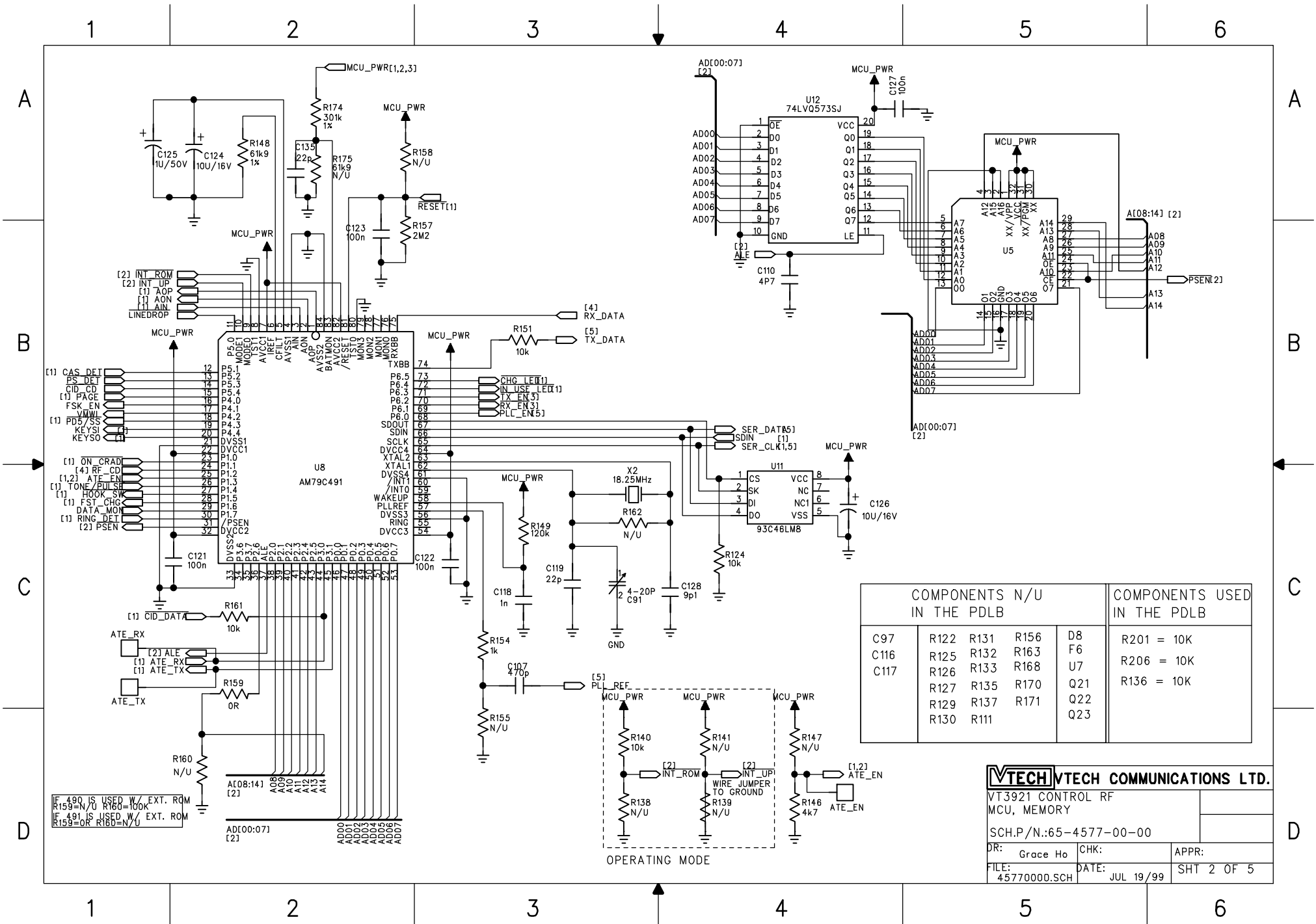


VTech VTECH COMMUNICATIONS LTD.		
VT3921 CONTROL RF POWER SUPPLY, CHARGING		VTN HK
SCH.P/N.:65-4577-00-00		PRC008L
DR: Grace Ho	CHK:	APPR: SDM
FILE: 45770000.SCH	DATE: JUL 19/99	SHT 1 OF 5



COMPONENTS N/U IN THE PDLB				COMPONENTS USED IN THE PDLB		
C97	R122	R131	R156	D8	R201 = 10K	
C116	R125	R132	R163	F6	R206 = 10K	
C117	R126	R133	R168	U7	R136 = 10K	
	R127	R135	R170	Q21		
	R129	R137	R171	Q22		
	R130	R111		Q23		

VTech COMMUNICATIONS LTD.

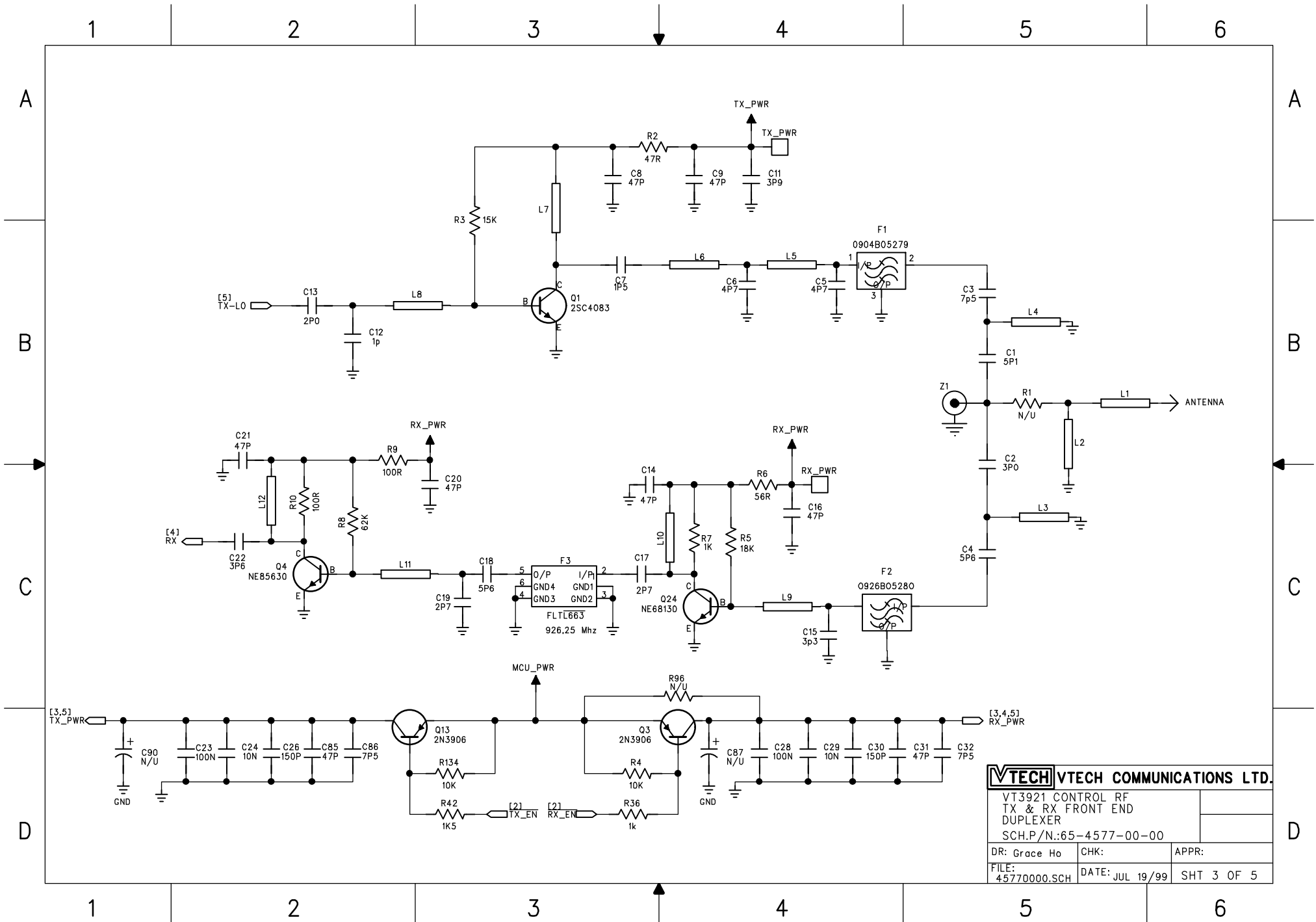
VT3921 CONTROL RF
MCU, MEMORY

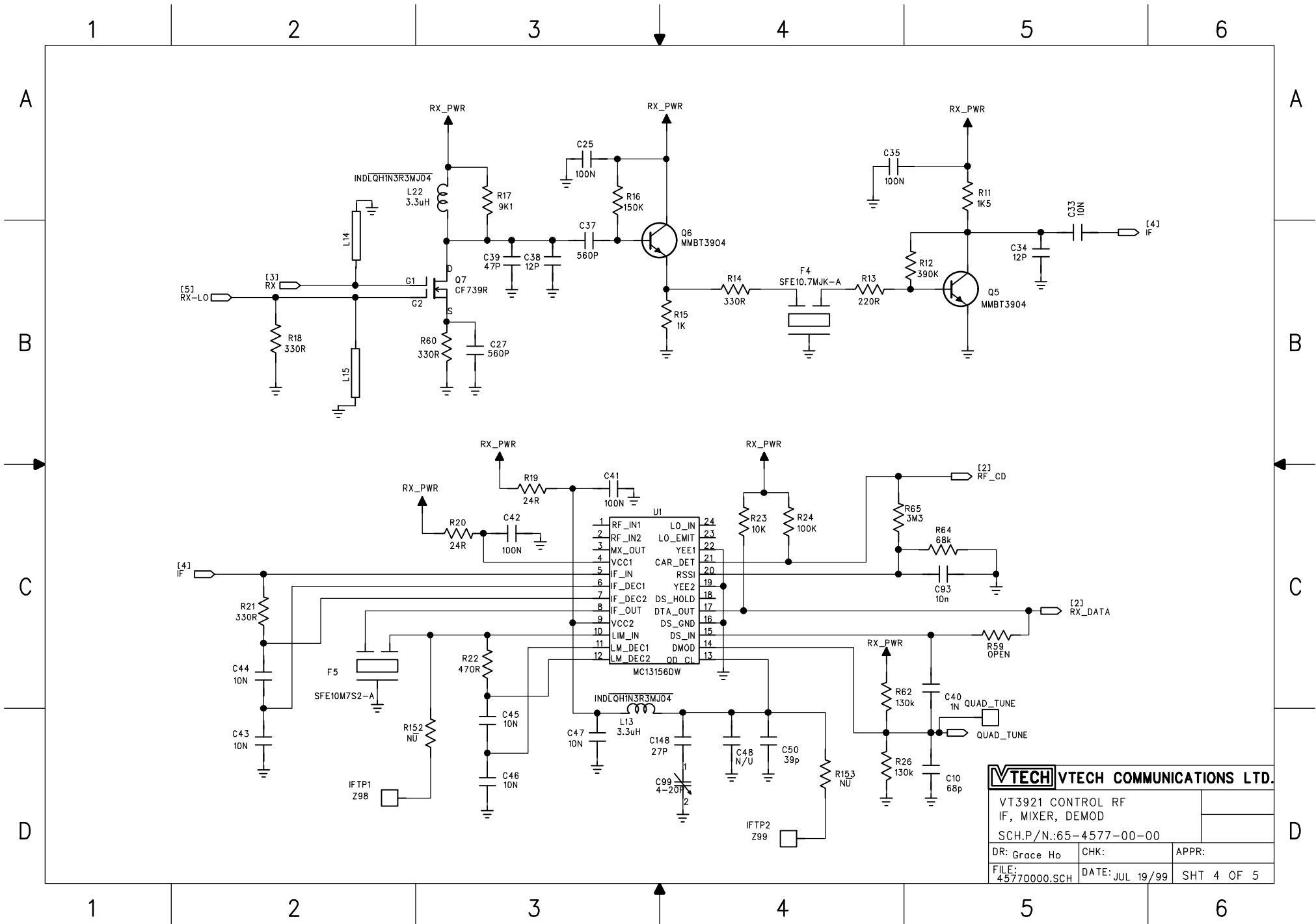
SCH.P/N.:65-4577-00-00

DR: Grace Ho	CHK:	APPR:
FILE: 45770000.SCH	DATE: JUL 19/99	SHT 2 OF 5

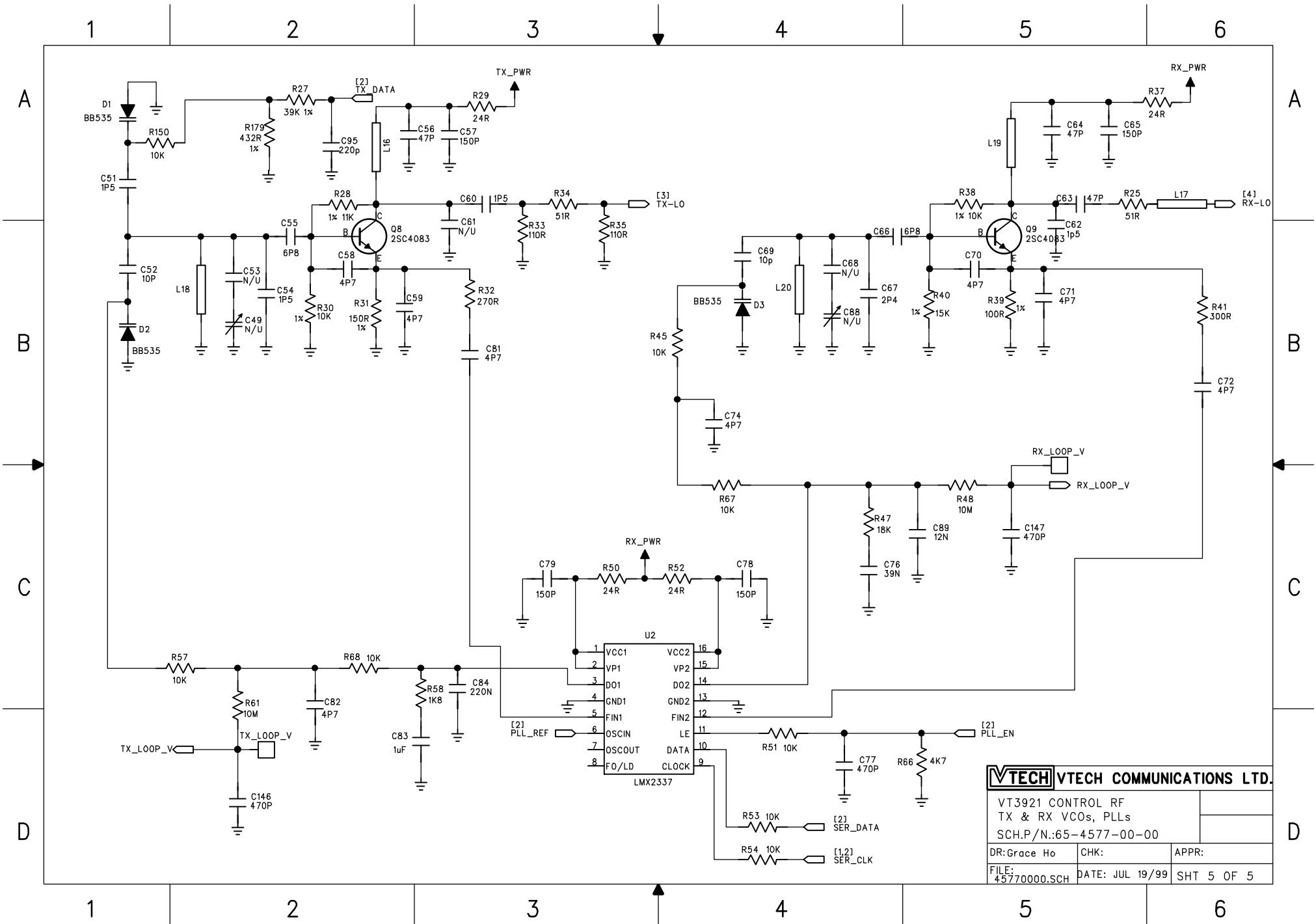
IF 490 IS USED W/ EXT. ROM
R159=N/U R160=100K
IF 491 IS USED W/ EXT. ROM
R159=OR R180=N/U

OPERATING MODE





VTECH COMMUNICATIONS LTD.		
VT3921 CONTROL RF		
IF, MIXER, DEMOD		
SCH.P/N.:65-4577-00-00		
DR: Grace Ho	CHK:	APPR:
FILE: 45770000.SCH	DATE: JUL 19/99	SHT 4 OF 5



VTech VTECH COMMUNICATIONS LTD.

VT3921 CONTROL RF
TX & RX VCOs, PLLs
SCH.P/N.:65-4577-00-00

DR: Grace Ho	CHK:	APPR:
FILE: 45770000.SCH	DATE: JUL 19/99	SHT 5 OF 5