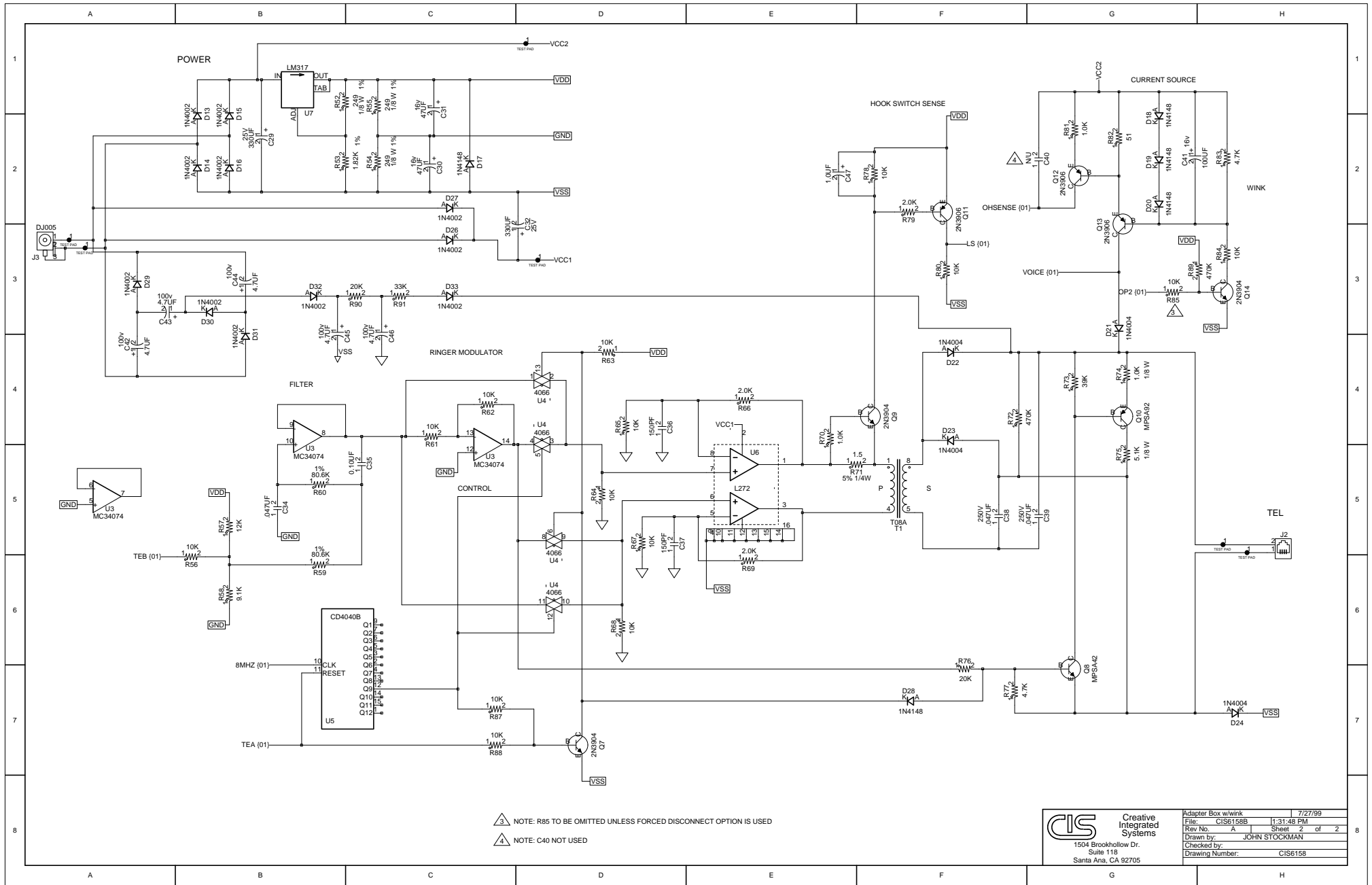


SWITCH UP IS CLOSED
ALL RESISTORS ARE 1/16W 5% UNLESS SPECIFIED OTHERWISE

CIS Creative Integrated Systems
1504 Brookhollow Dr.
Suite 118
Santa Ana, CA 92705

Adapter Box w/wink	7/27/99
File: CIS6158B	11:31:48 PM
Rev No: A	Sheet 1 of 2
Drawn by: JOHN STOCKMAN	
Checked by:	
Drawing Number: CIS6158	



NOTE: R85 TO BE OMITTED UNLESS FORCED DISCONNECT OPTION IS USED

NOTE: C40 NOT USED

 Creative Integrated Systems 1504 Brookhollow Dr. Suite 118 Santa Ana, CA 92705	Adapter Box w/wink	7/27/99
	File: CISE158B	1:31:48 PM
	Rev No: A	Sheet 2 of 2
	Drawn by: JOHN STOCKMAN	
	Checked by:	
Drawing Number:	CISE158	