



## ENGINEERING CANADA LTD.

200-7671 Alderbridge Way, Richmond B.C. Canada V6X 1Z9

FAX: (604) 276-9137

TEL: (604) 273-5131

---

### Class II Permissive Change on FCC ID : EW780-4282-00

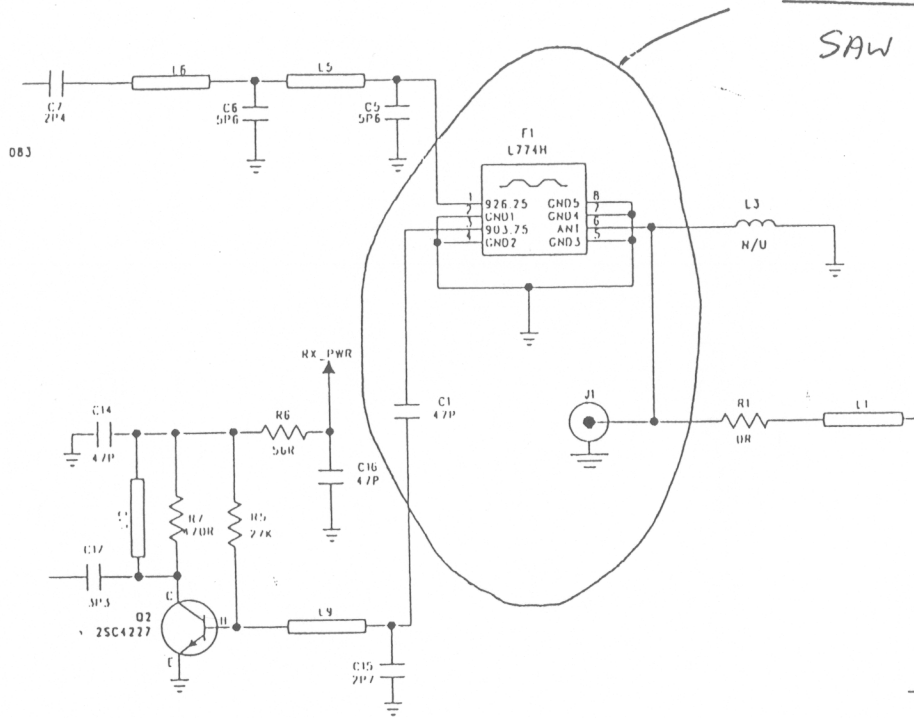
New Models affected : **VTECH 1964** and **Ameritech 1963** (they are identical except the model & tradename)

Changes :

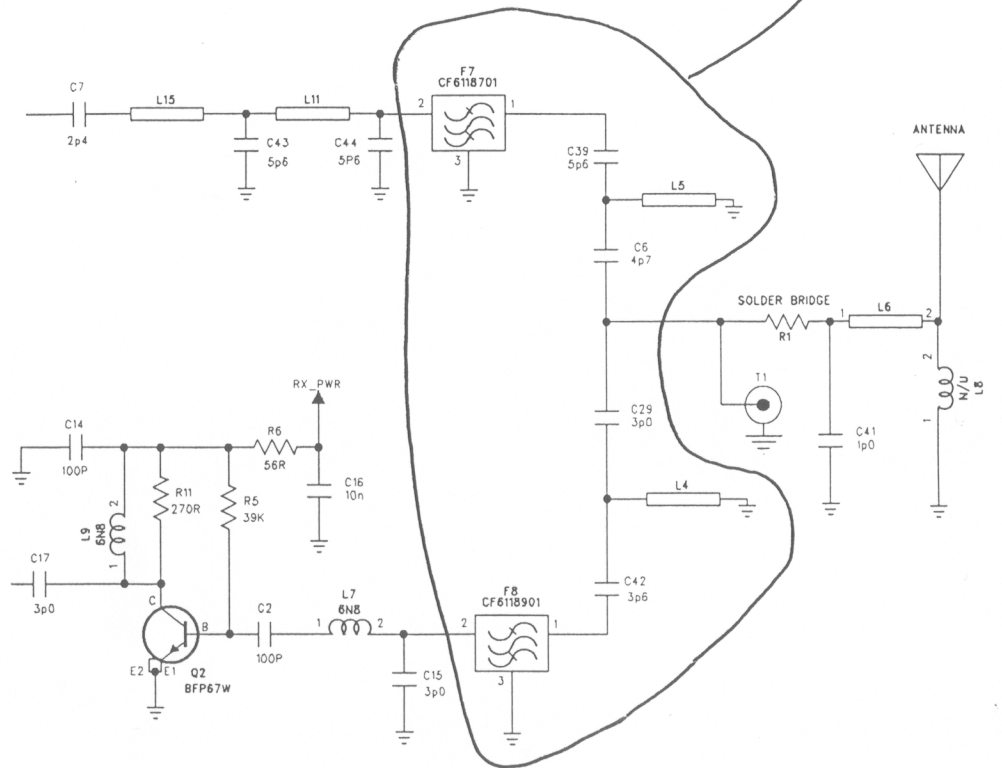
- 1) the RF Saw Duplexer is replaced by 2 discrete ceramic filters – due to shortage of Saw Duplexer.
- 2) re-layout of the PCB board
  - to accommodate the ceramic filters
  - to accommodate all components on one side
  - to use 1 side PCB with almost all copper to serve as RF shield.
- 3) Change in RF shields -- use only 1 shield instead of 2 shields (grounded copper as the other shield mentioned above)
- 4) Addition of Answering machine module on base.

Note: See below for changes on item 1) to 3). The answering machine interface is described in the theory of operation. However, the theory of operation does not cover the RF changes as mentioned on items 1) to 3).

Existing Design  
SAW Duplexer



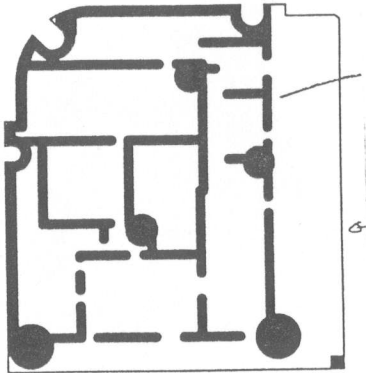
New Design  
2 Ceramic Filters



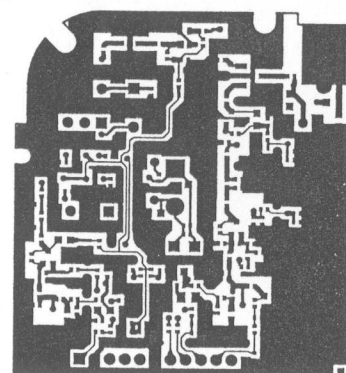
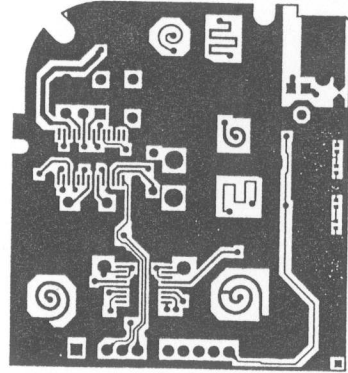
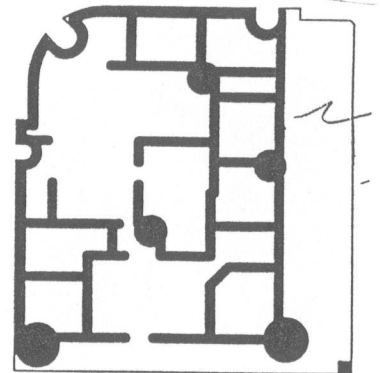
B/S

Existing Configuration on Base

Shield #1

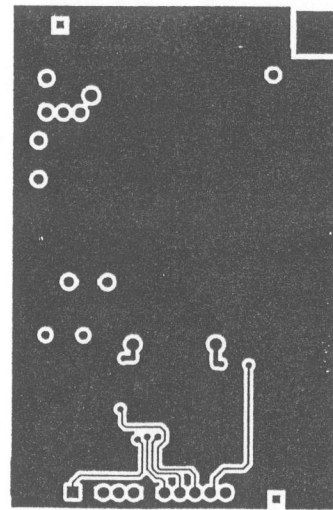
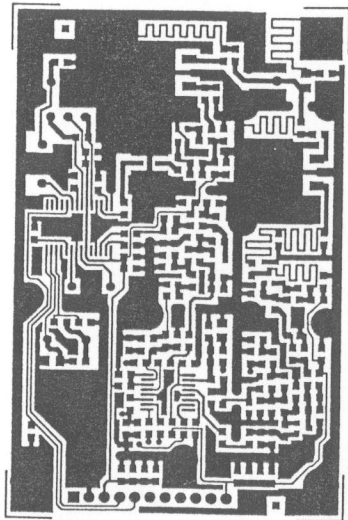
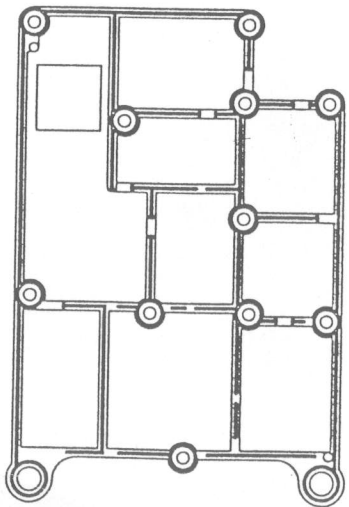


Shield #2



New Configuration on Base

Shield



ground (all copper)  
serves as shield #2  
above.