

• SHARED COMPONENTS

	SONY		VTECH	
	H/S	BASE	H/S	BASE
C88	100p	N/U	100p	N/U
C89	N/U	100p	N/U	100p
C90	N/U	N/U	100p	100p
C91	100p	100p	N/U	N/U
Y1	RES	IND	N/A	N/A
Y6	N/U	IND	N/A	N/A

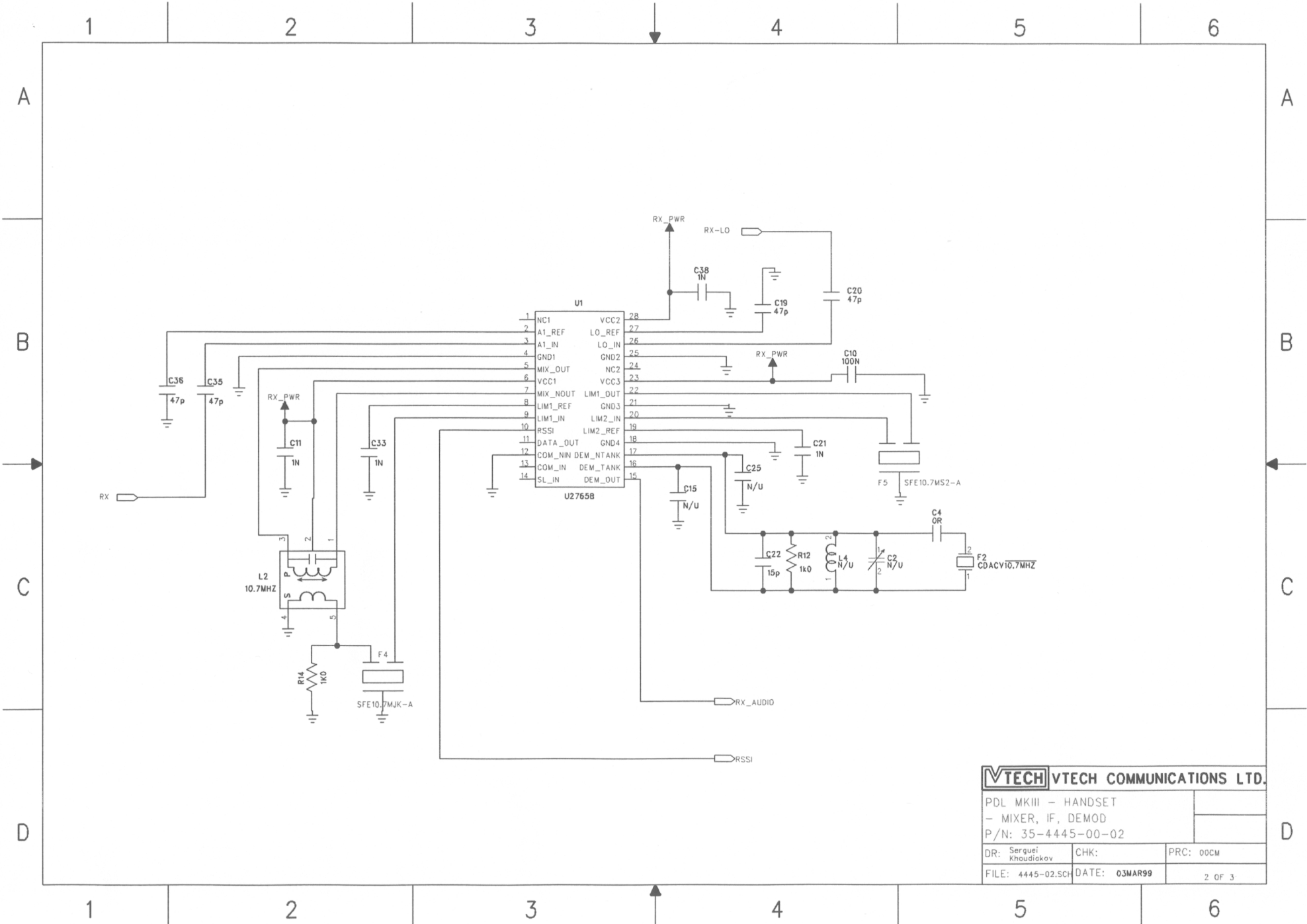
•• SHARED COMPONENTS

	H/S	BASE
F3	B4015	B4024
F6	B4023	B4043

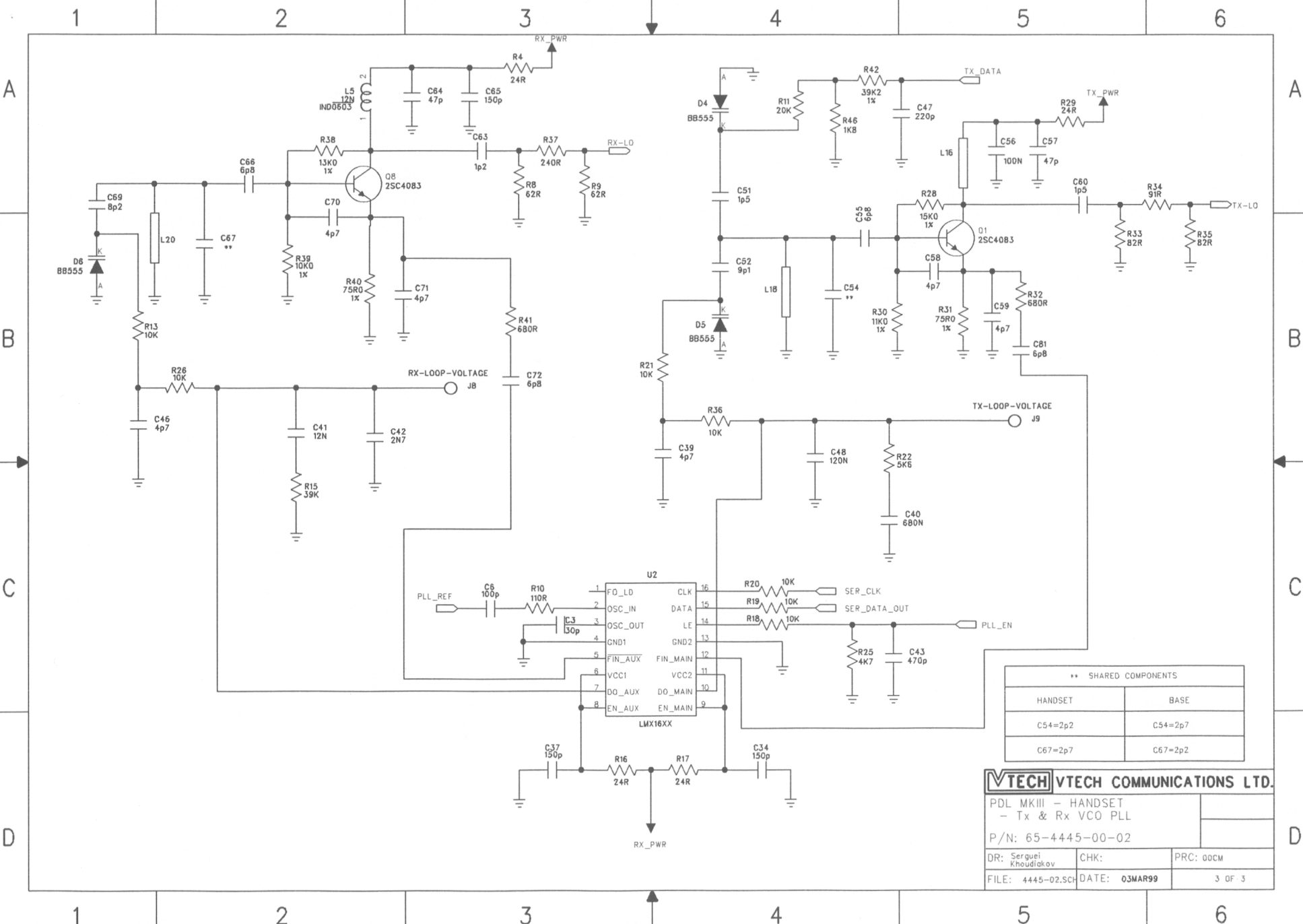
**VTECH COMMUNICATIONS LTD.**

PDL MKIII - HANDSET  
 DUPLEXER, TX & RX FRONT END  
 P/N: 65-4445-00-02

DR: Serguei Khoudirkov	CHK:	PRC: 00CM
FILE: 4445-02.SCH	DATE: 03MAR99	1 OF 3



<b>VTECH VTECH COMMUNICATIONS LTD.</b>		
PDL MKIII - HANDSET		
- MIXER, IF, DEMOD		
P/N: 35-4445-00-02		
DR: Serguei Khoudiakov	CHK:	PRC: 00CM
FILE: 4445-02.SCH	DATE: 03MAR99	2 OF 3



•• SHARED COMPONENTS

HANDSET	BASE
C54=2p2	C54=2p7
C67=2p7	C67=2p2

**VTECH COMMUNICATIONS LTD.**

PDL MKIII - HANDSET - Tx & Rx VCO PLL		
P/N: 65-4445-00-02		
DR: Serguei Khoudiakov	CHK:	PRC: 00CM
FILE: 4445-02.SCH	DATE: 03MAR99	3 OF 3