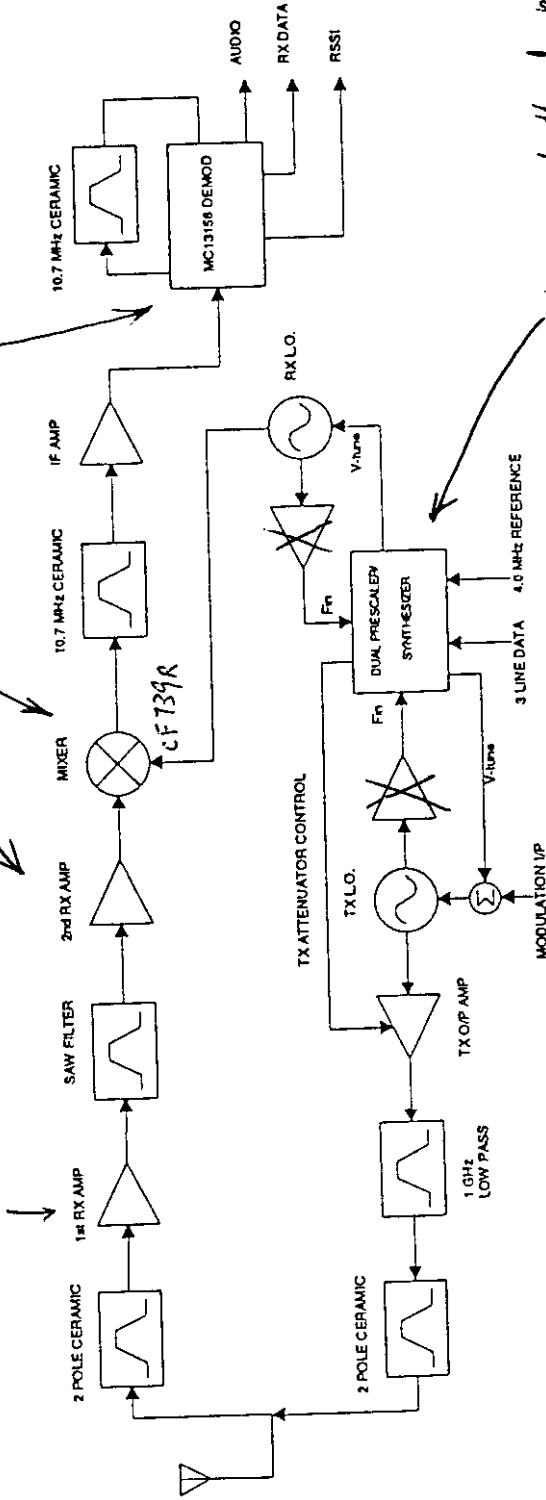


BLOCK DIAGRAM SHOWING CHANGES FROM ADLMK2A TO ADLMK2B  
 ( Model : VT9111 )

Replaced by  
 one Temic U2765B IC

Transistor NE68130  
 replaced by  
 Temic Transistor  
 BFP67W



Use a buffered PLL IC  
 Toshiba TB31202BFN  
 (so that the transmitter  
 buffer stage can be  
 removed.)

Figure 5. ADL MK2A RF Module Block Diagram

There are seven important components in the...