

A

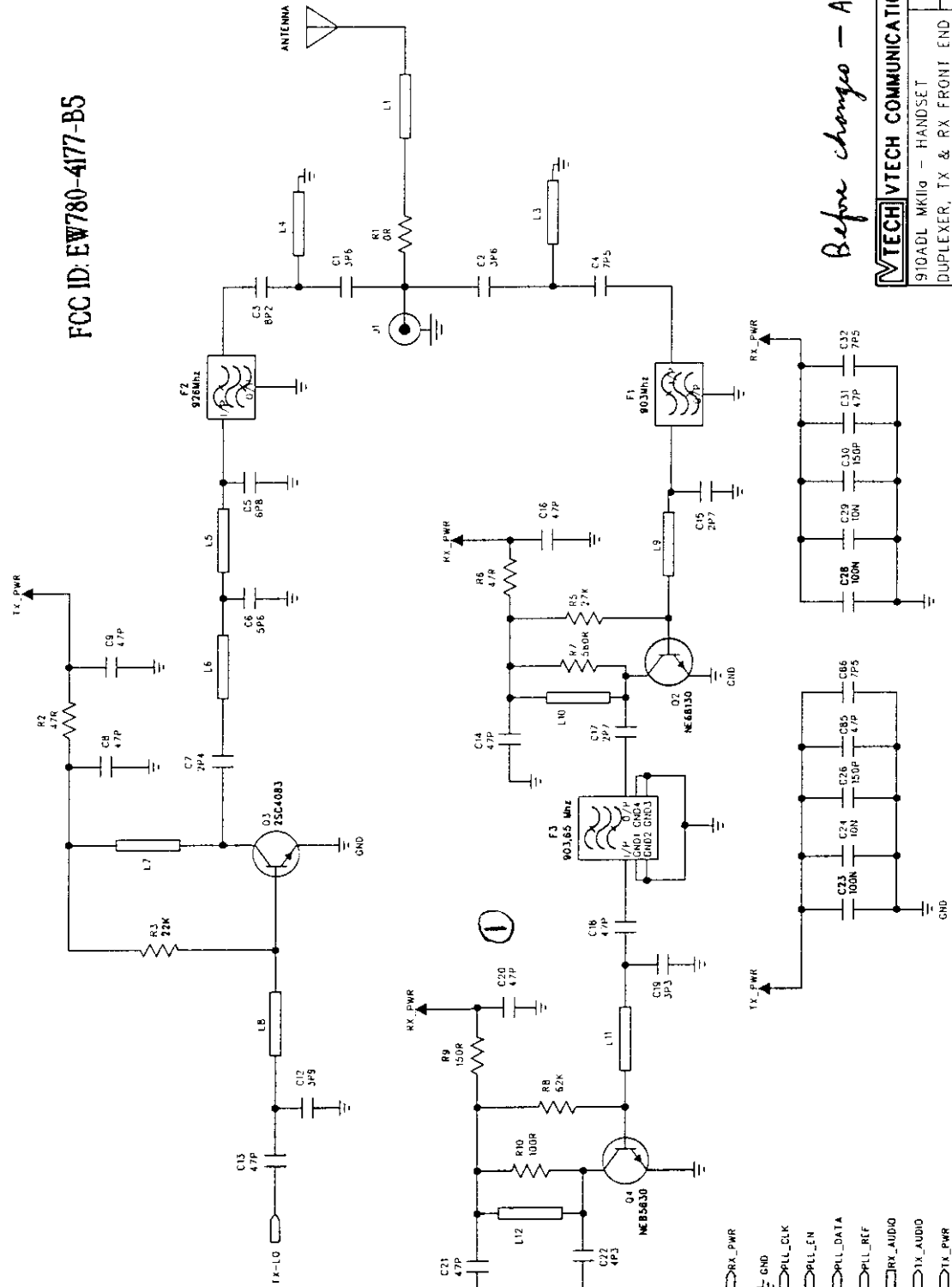
B

C

D

1 2 3 4 5 6

FCC ID: EW780-4177-B5



Before change - ADL MK2A

<b>TECH</b> VTECH COMMUNICATIONS LTD.	
910ADL MK110 - HANDSET	
DUPLEXER, TX & RX FRONT END	
P/N: 65-4296-00-01	
DR: Don Kitchner	CHK:
FILE: 42960001.SCH	DATE: 06/09/98
1 OF 3	

- J5-1 RX\_PWR
- J5-2 GND
- J5-3 PLL\_CLK
- J5-4 PLL\_EN
- J5-5 PLL\_DATA
- J5-6 PLL\_REF
- J5-7 RX\_AUDIO
- J5-8 TX\_AUDIO
- J5-9 TX\_PWR
- J5-10 N/U

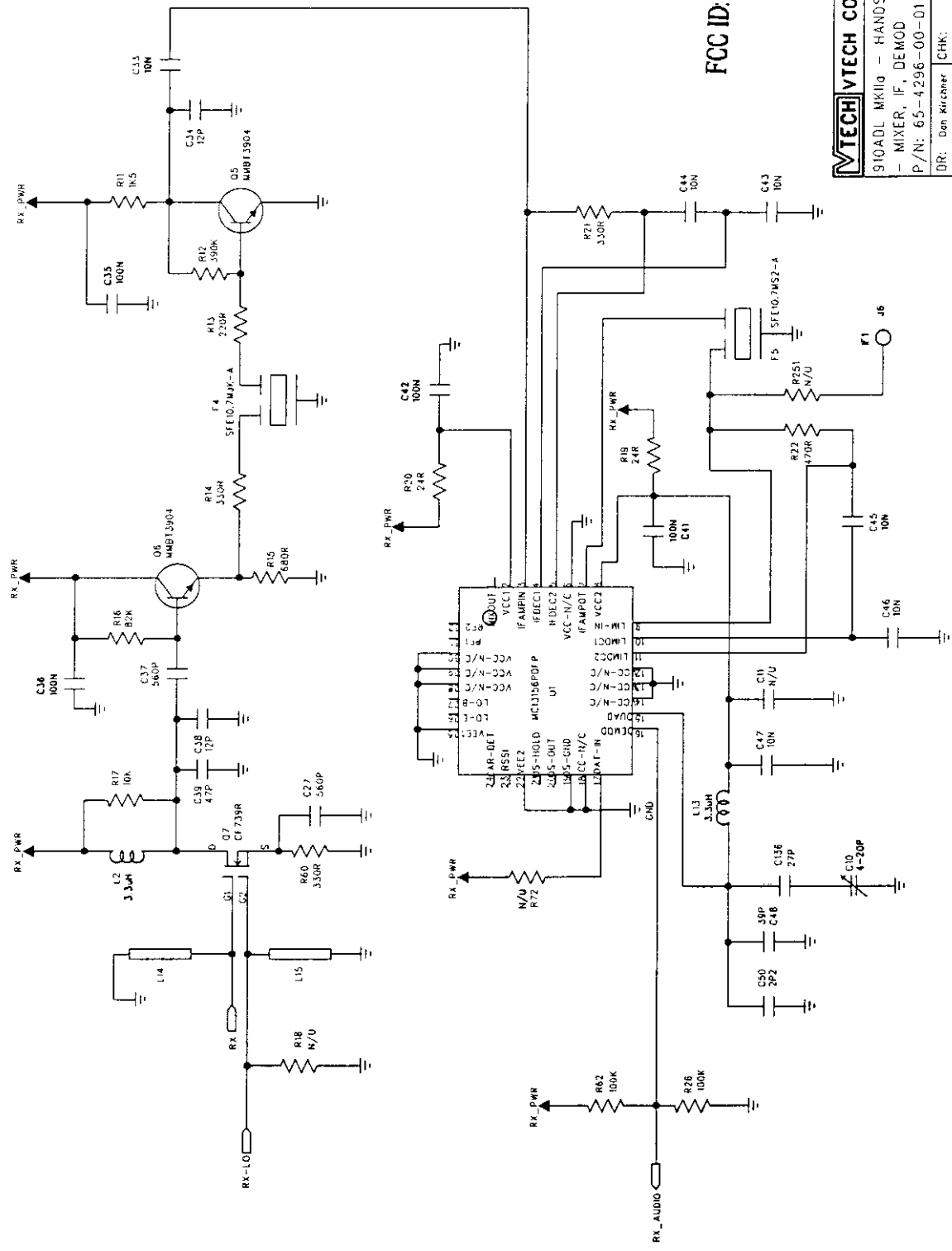
1 2 3 4 5 6

1 2 3 4 5 6

(2)

A B C D

A B C D



FCC ID: EW780-4177-B5

**TECH VITECH COMMUNICATIONS LTD.**  
 910ADL MKIIa - HANDSET  
 - MIXER, IF, DEMOD  
 P/N: 65-4296-00-01  
 DR: Don Kitchner  
 CHK: PRC: 009C  
 FILE: 42960001.SCH DATE: 06/09/98 2 OF 3

1 2 3 4 5 6

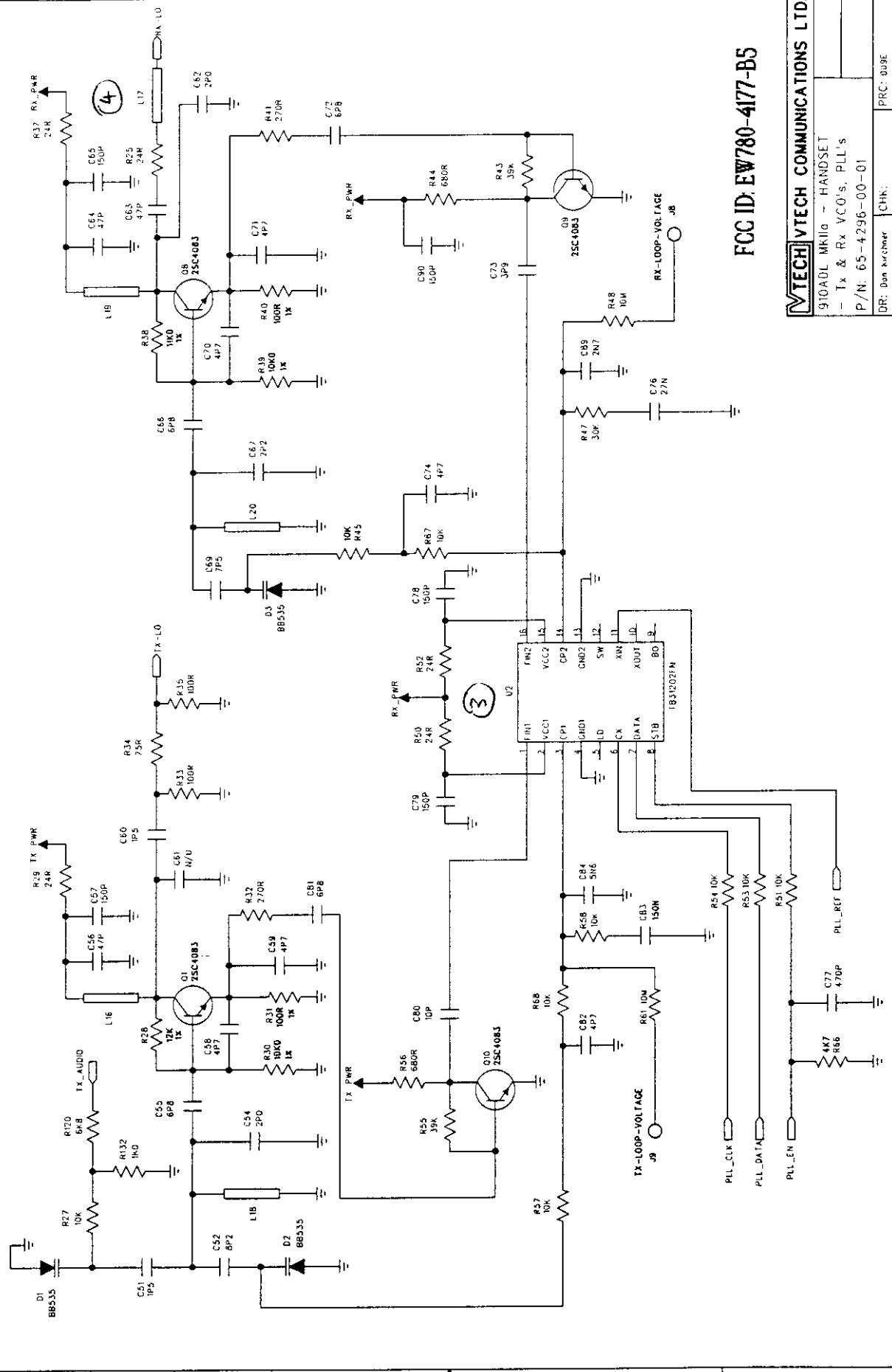
1 2 3 4 5 6

A

B

C

D



FCC ID: EW780-4177-B5

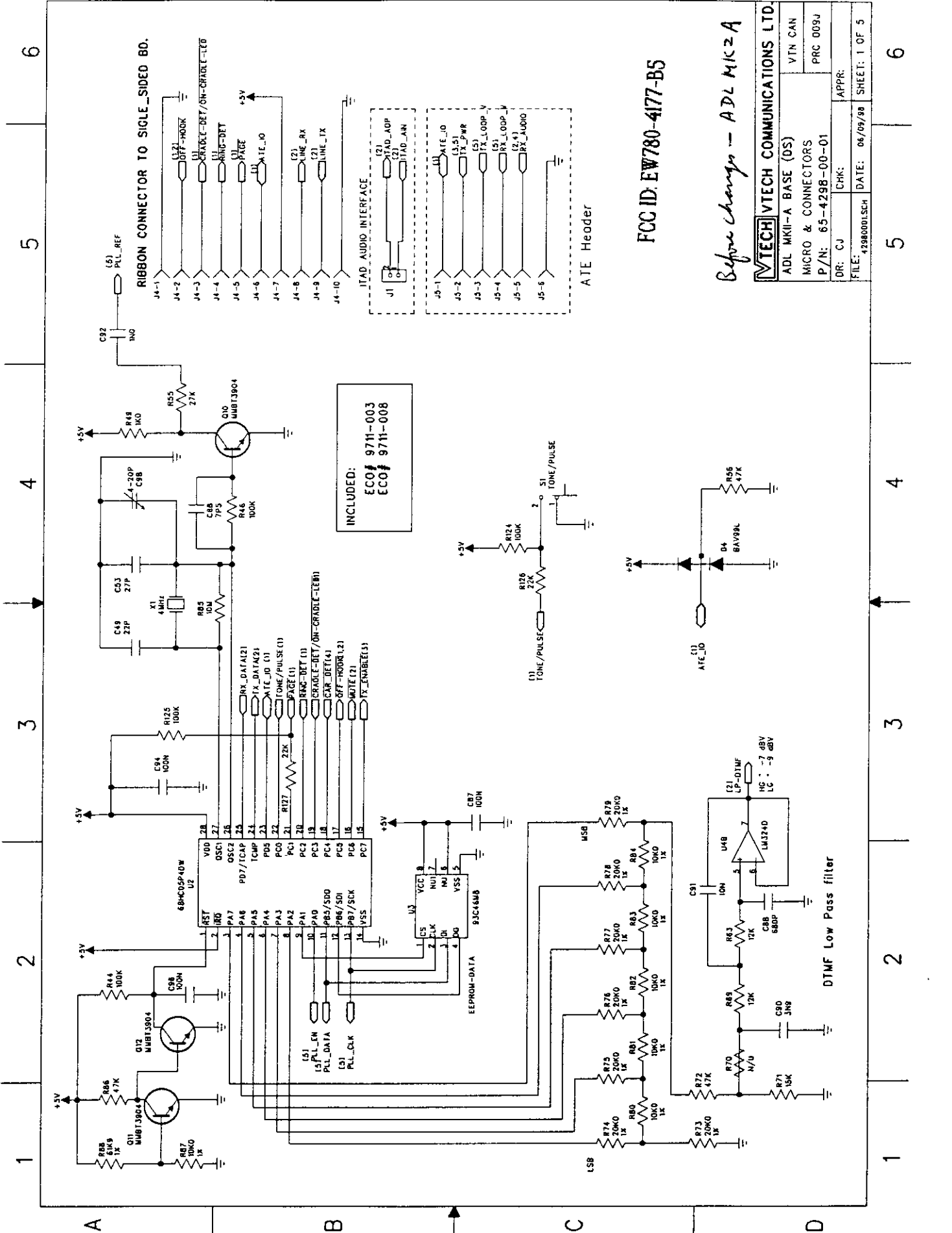
<b>TECH</b> VTECH COMMUNICATIONS LTD.	
910ADL MKIIIa - HANDSET	
- Tx & Rx VCO's, PLL's	
P/N: 65-4296-00-01	
DR: Don Kirchner	CHK:
FILE: 4296001.SCH	DATE: 08/09/98
3 OF 3	

1 2 3 4 5 6

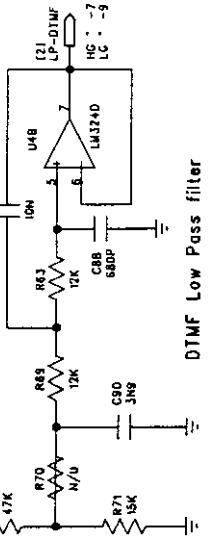
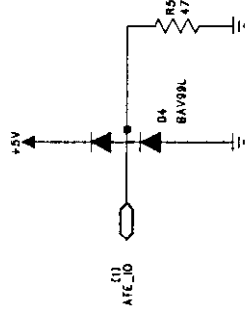
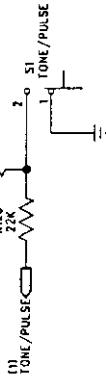
FCC ID: EW780-4177-B5

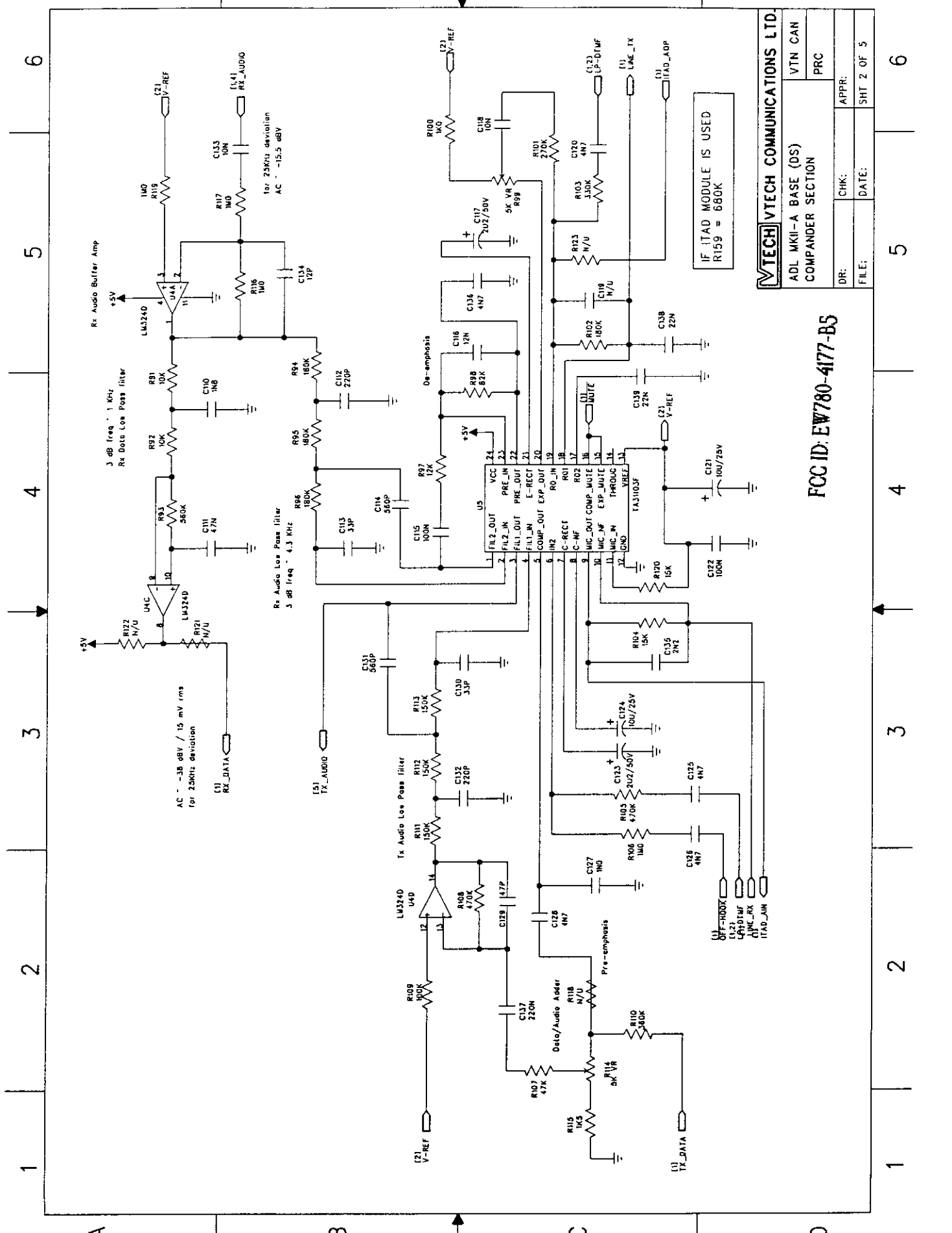
Before Change - ADL MK2A

<b>ITECH</b> VTECH COMMUNICATIONS LTD.	
ADL MKII-A BASE (DS)	VTN CAN
MICRO & CONNECTORS	PRC 009J
P/N: 65-4298-00-01	
DR: CJ	CHK: APPR:
FILE: 42980001.SCH	DATE: 06/09/98
	SHEET: 1 OF 5



INCLUDED:  
ECO# 9711-003  
ECO# 9711-008





**TECH VTECH COMMUNICATIONS LTD.**

ADL MKII-A BASE (DS)	VTN CAN
COMPANDER SECTION	PRC
DR:	CHK:
FILE:	DATE:
	APPR:
	SHT 2 OF 5

FCC ID: EW780-4177-B5

IF ITAD MODULE IS USED  
R159 = 680K

42980001.8001.3 11 0001 12 13:00:00 1500

1 2 3 4 5 6

A B C D

A B C D

1

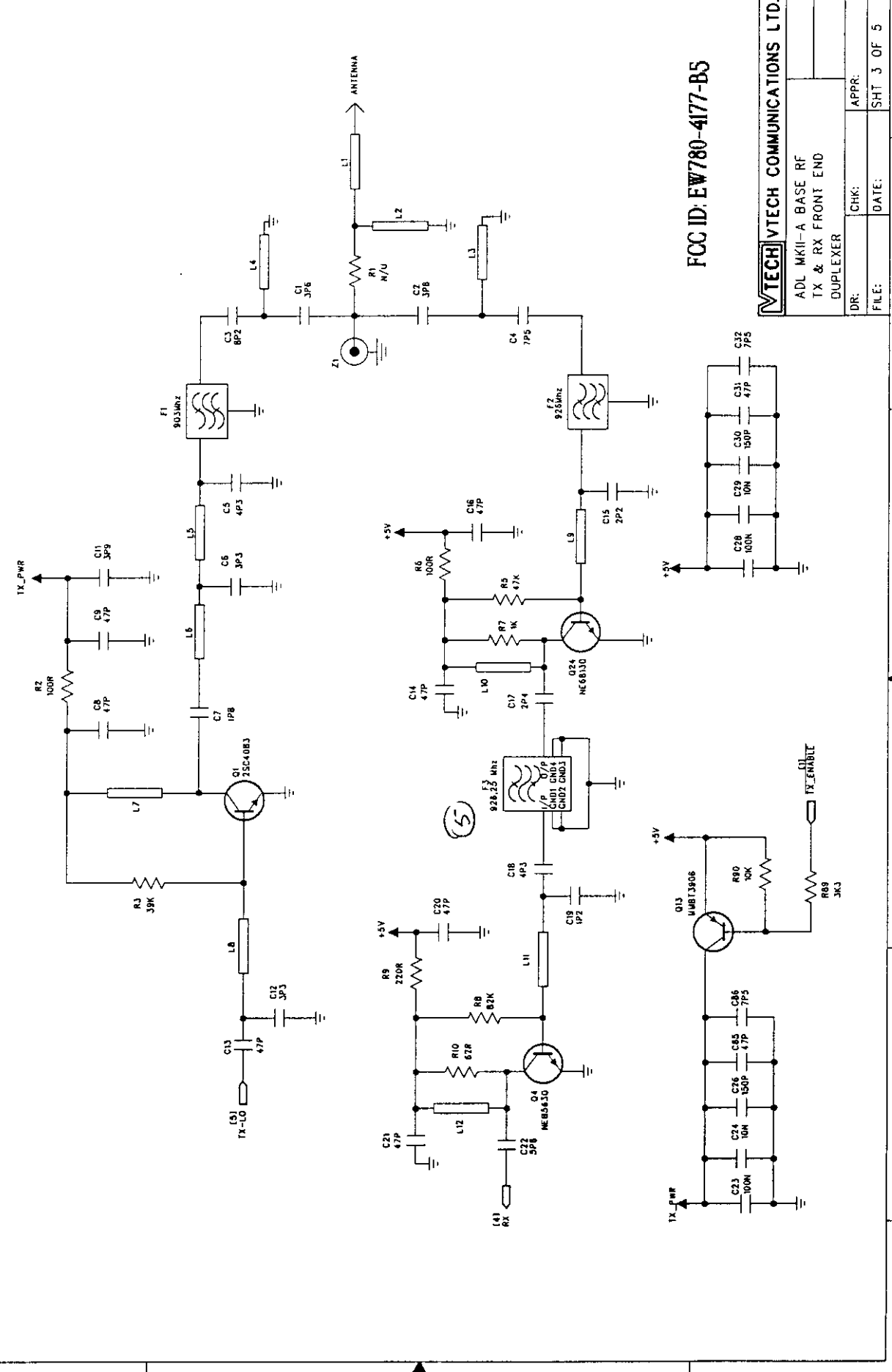
2

3

4

5

6



FCC ID: EW780-4177-B5

<b>TECH</b> VTECH COMMUNICATIONS LTD.	
ADL MKII-A BASE RF	
TX & RX FRONT END	
DUPLEXER	
DR:	CHK:
FILE:	DATE:
	APPR:
	SHT 3 OF 5

A

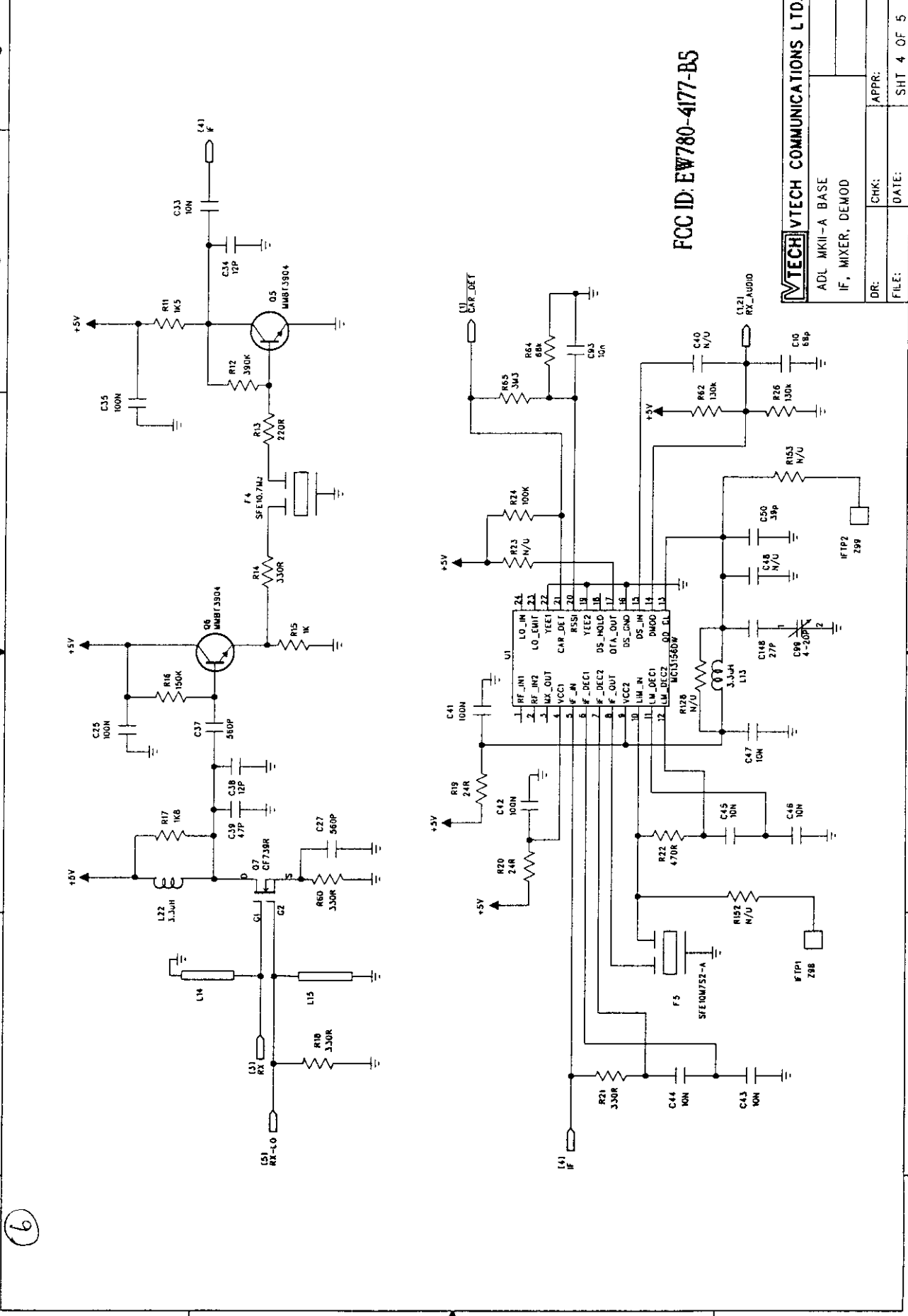
B

C

D

1 2 3 4 5 6

A B C D



FCC ID: EW780-4177-B5

VTECH COMMUNICATIONS LTD.  
 ADL MKII-A BASE  
 IF, MIXER, DEMOD

DR:	CHK:	APPR:
FILE:	DATE:	SHT 4 OF 5

1 2 3 4 5 6

A B C D

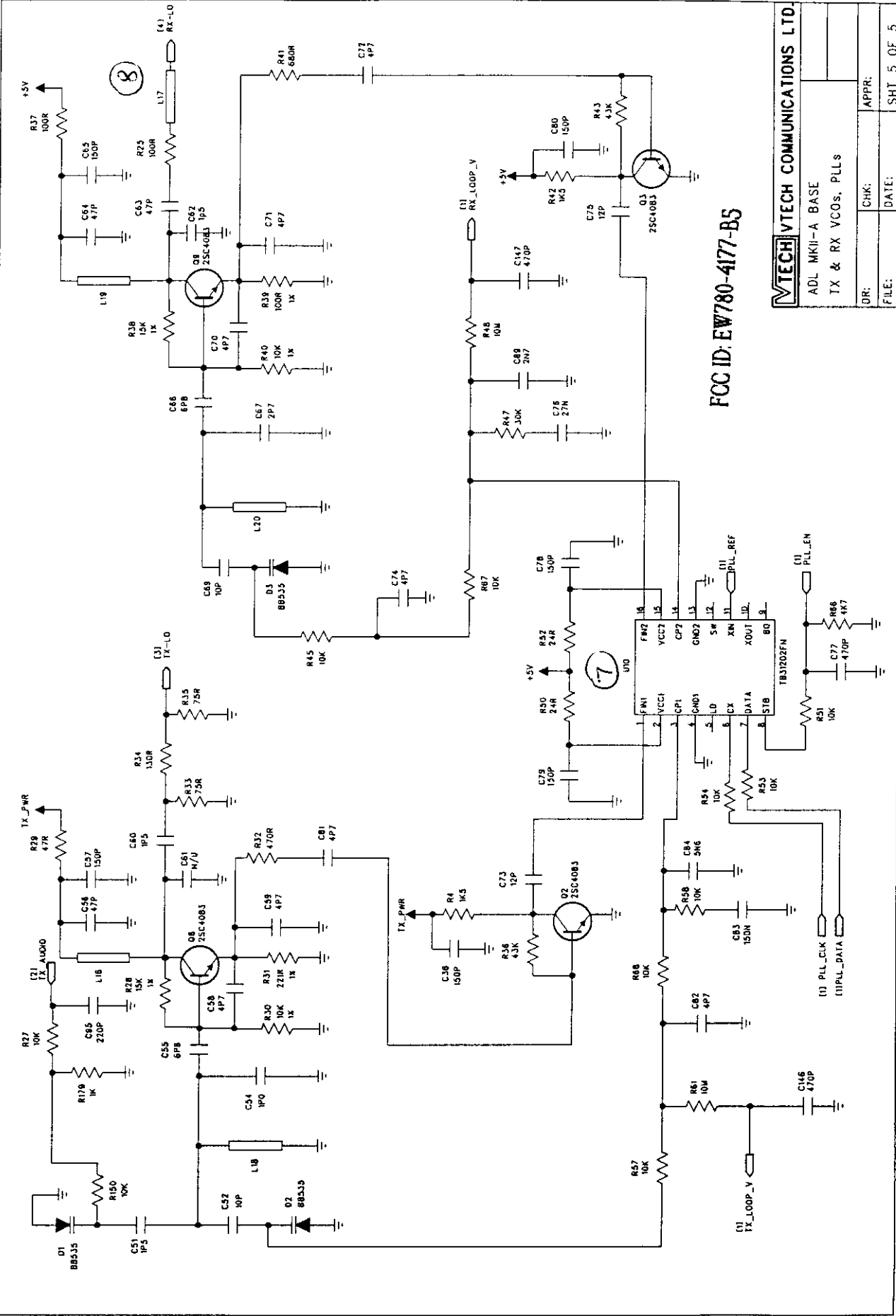
1 2 3 4 5 6

A

B

C

D



FCC ID: EW780-4177-B5

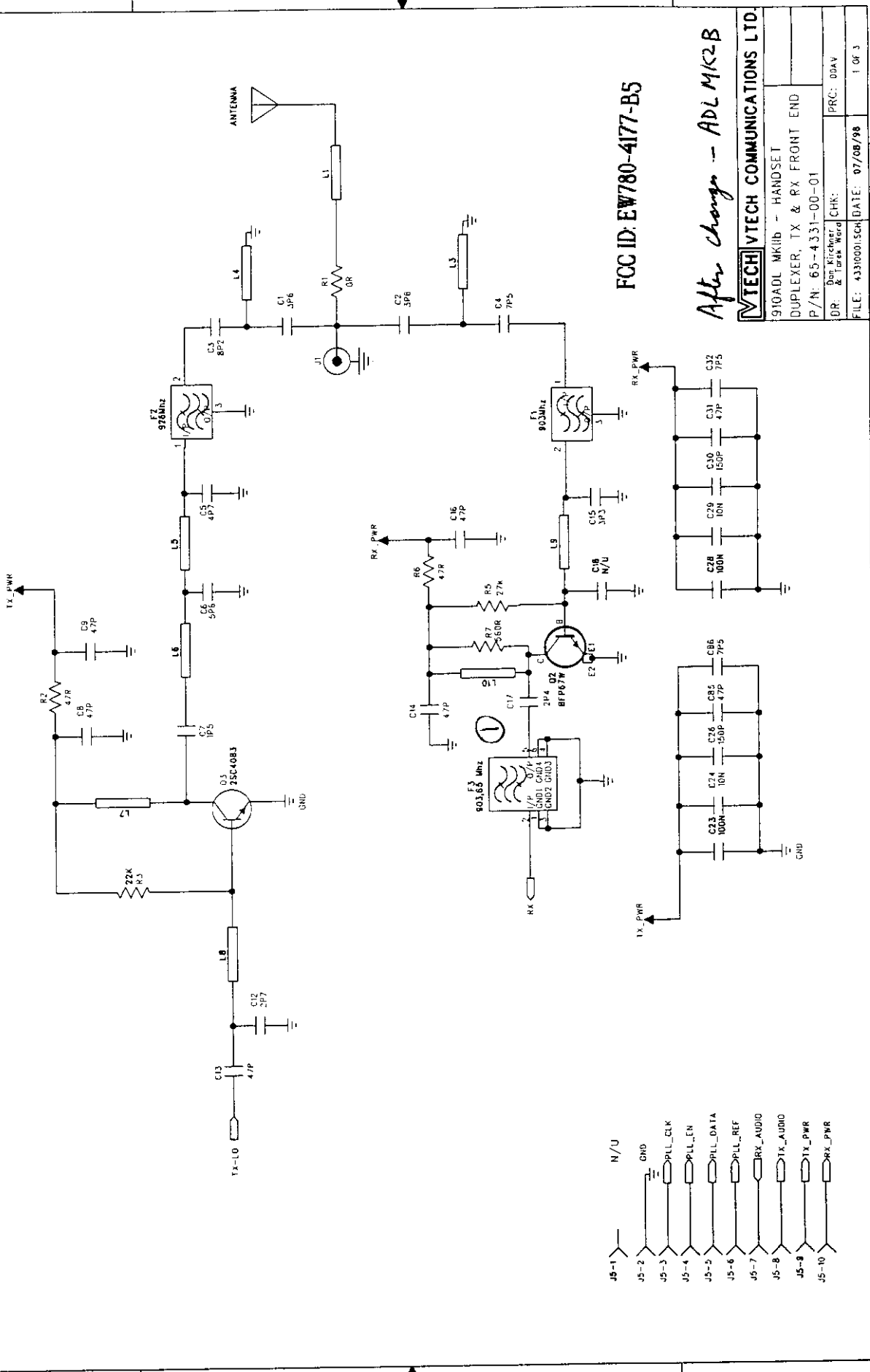
<b>TECHNIVTECH COMMUNICATIONS LTD.</b>	
ADL MKII-A BASE	
TX & RX VCOs, PLLS	
DR:	APPR:
CHK:	DATE:
FILE:	SHT. 5 OF 5

1 2 3 4 5 6



1 2 3 4 5 6

A B C D



FCC ID: EW780-4177-B5

After change -- ADL MK2-B

VTECH VTECH COMMUNICATIONS LTD.	
910ADL MK11B - HANDSET	
DUPLEXER, TX & RX FRONT END	
P/N: 65-4331-00-01	
DR: Don Kitchner	CHK: [ ]
PRC: 00AV	[ ]
FILE: 43310001.SCH	DATE: 07/08/98
1 of 3	

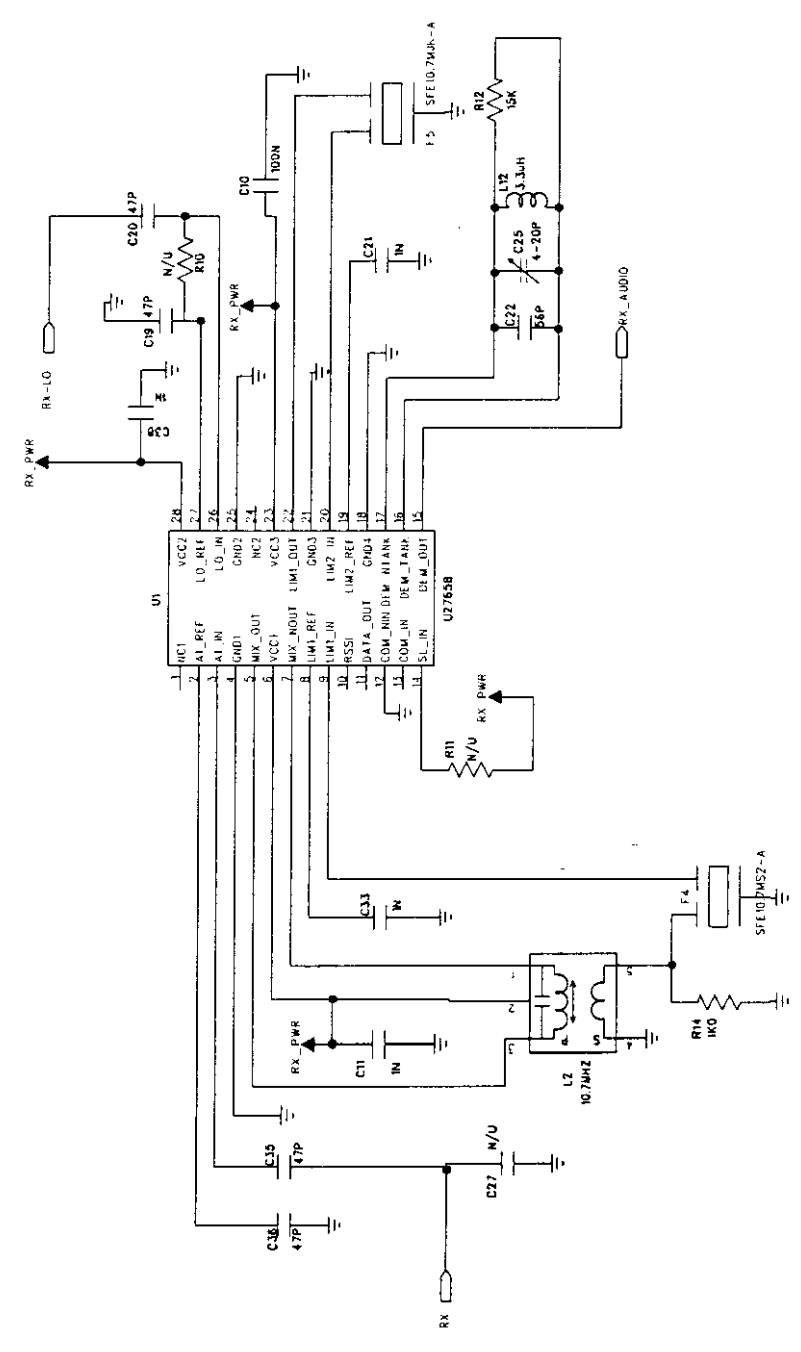
1 2 3 4 5 6

- J5-1 N/U
- J5-2 GND
- J5-3 PLL\_CLK
- J5-4 PLL\_EN
- J5-5 PLL\_DATA
- J5-6 PLL\_REF
- J5-7 PLL\_AUDIO
- J5-8 TX\_AUDIO
- J5-9 TX\_PWR
- J5-10 RX\_PWR

A B C D

1 2 3 4 5 6

(2)

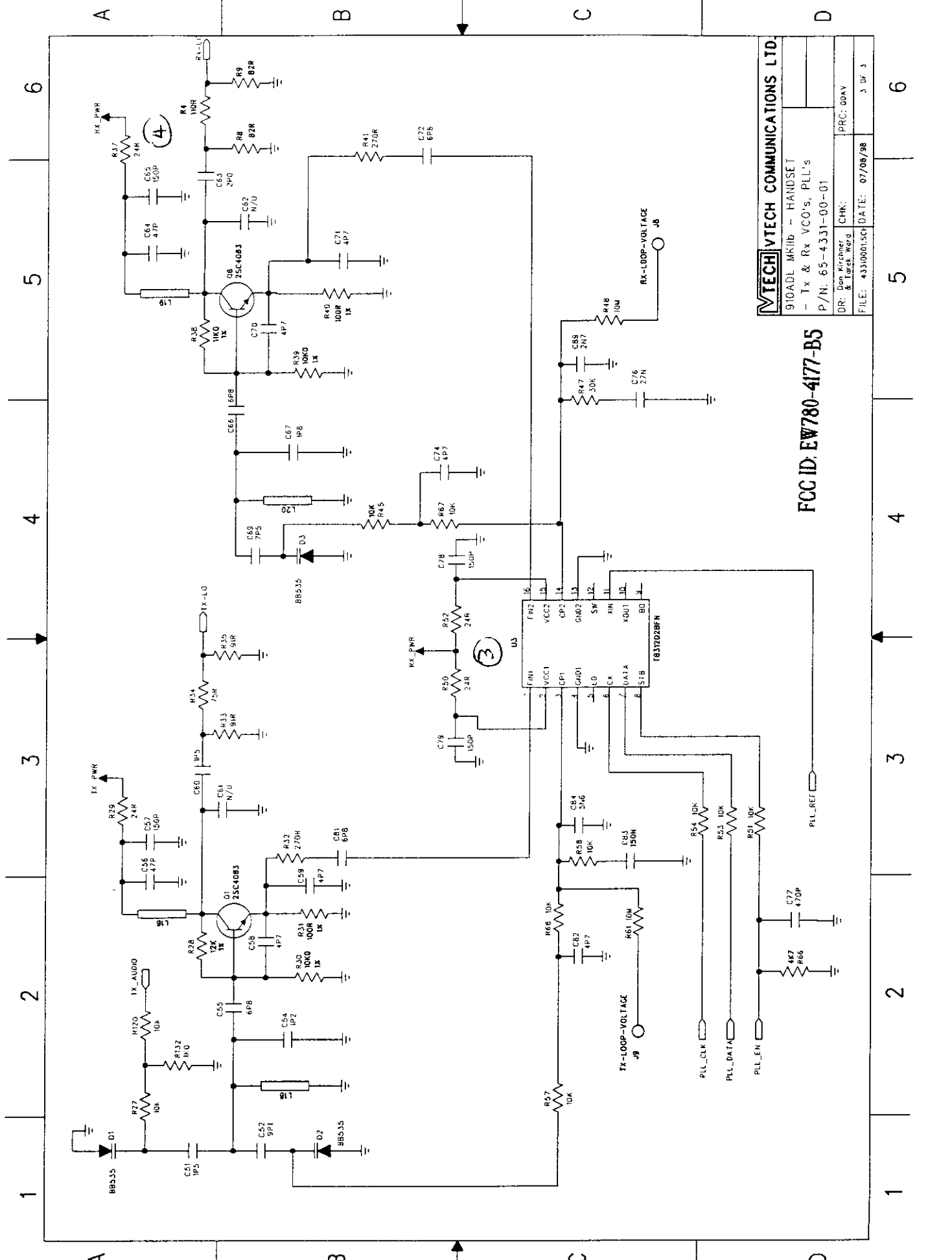


FCC ID: EW780-4177-B5

<b>VTECH</b> VTECH COMMUNICATIONS LTD.	
910ADL MKIIIB - HANDSET	
- MIXER, IF, DEMOD	
P/N: 65-4331-00-01	
DR: Dan Kocik & Tom Harrod	CHK:
FILE: 43310001.SCH	DATE: 07/08/98
	PRC: 00AV
	2 OF 3

1 2 3 4 5 6

43 53 63 73 83 93 03 13 23 33 43 53 63 73 83 93 03



**TECHNIVTECH COMMUNICATIONS LTD.**  
 910ADL MKIIb - HANDSET  
 - Tx & Rx VCO's, PLL's  
 P/N: 65-4331-00-01  
 DR: [blank] VCO's, [blank] [blank] [blank]  
 FILE: 43310001.SCH DATE: 07/09/98  
 PRG: 00AY  
 3 OF 3

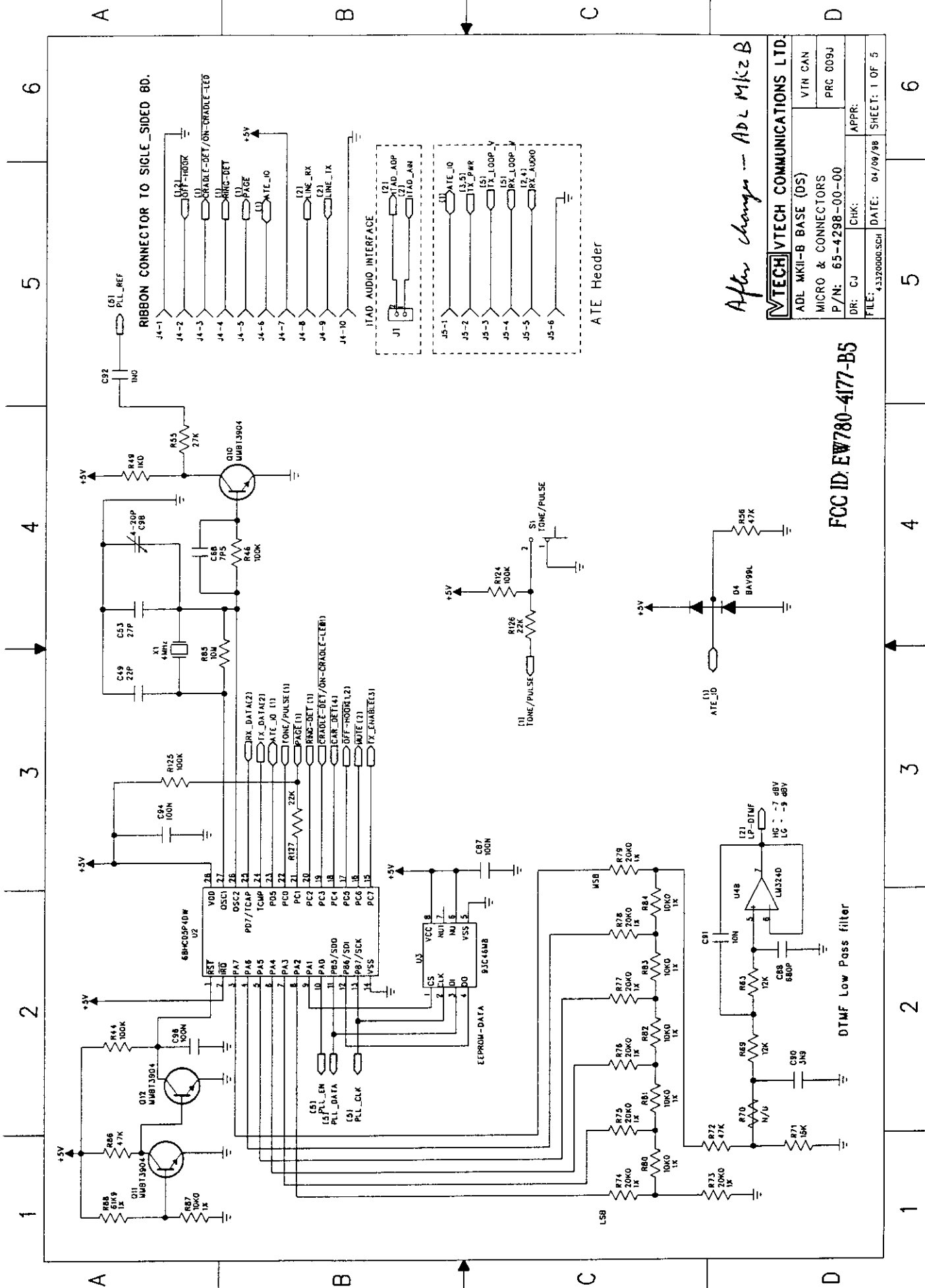
**FCC ID: EW780-4177-B5**

6  
5  
4  
3  
2  
1

6  
5  
4  
3  
2  
1

A B C D

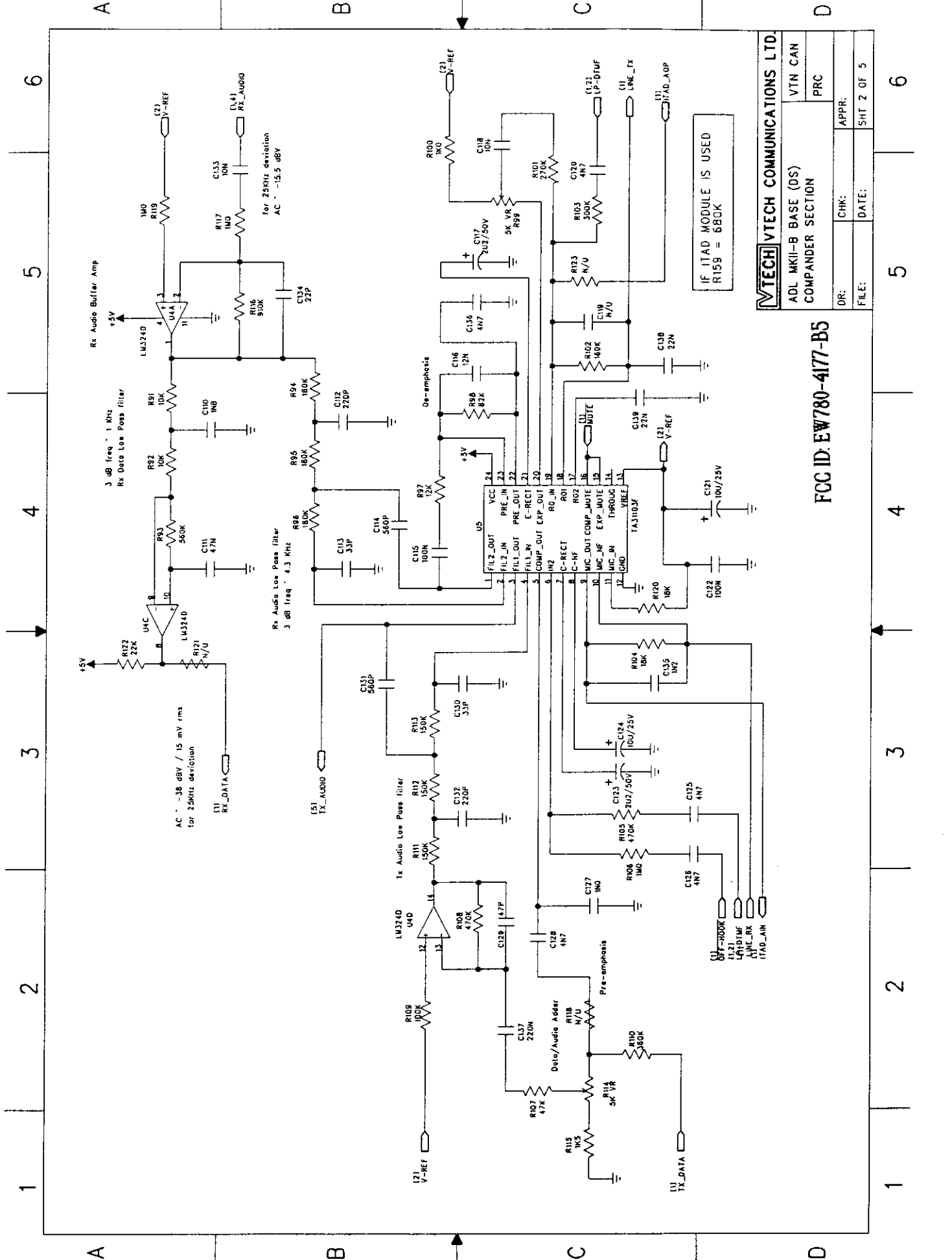
A B C D



After changes - ADL MK2 B

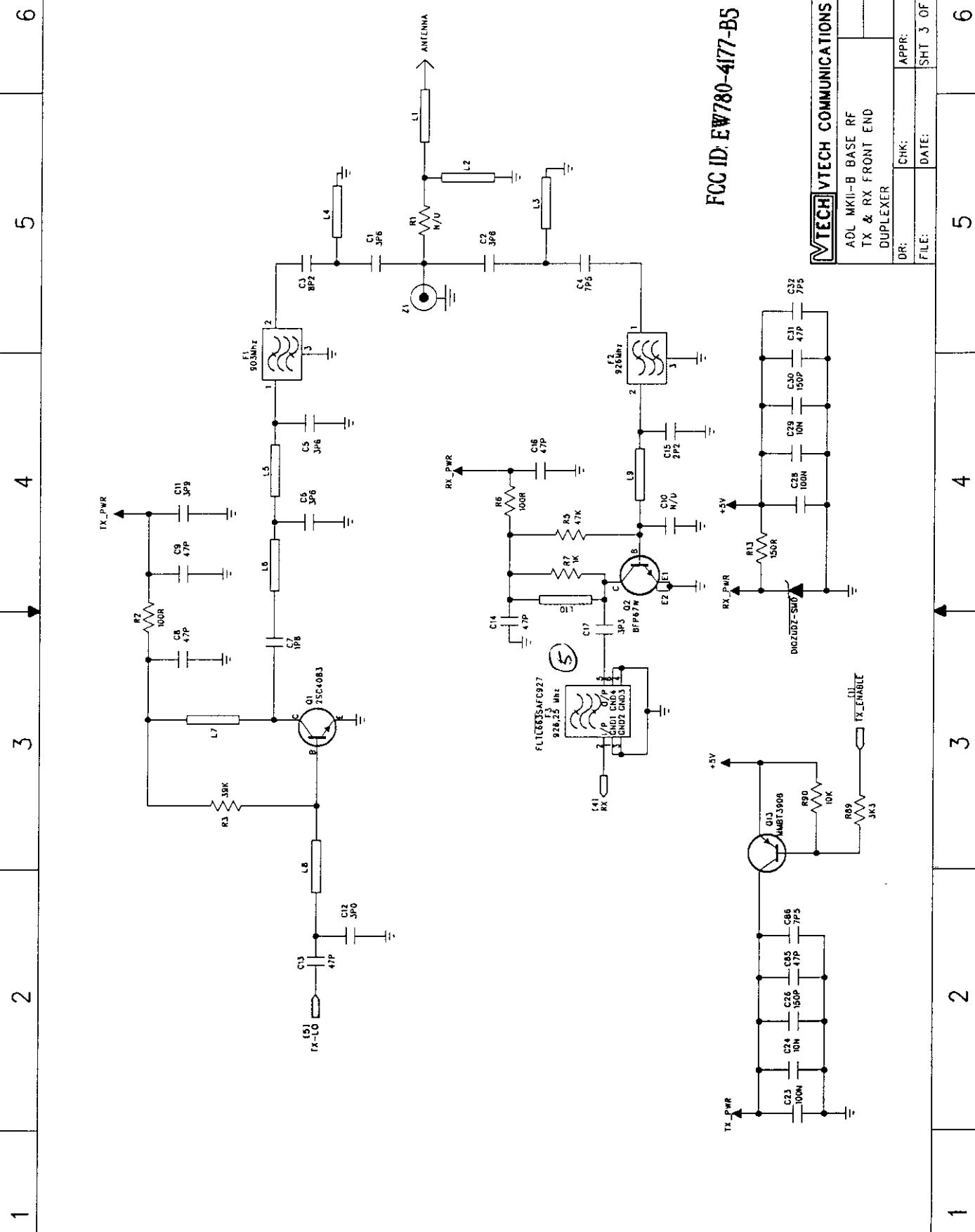
<b>TECH VTECH COMMUNICATIONS LTD.</b>	
ADL MKII-B BASE (DS)	VIN CAN
MICRO & CONNECTORS	PRC 009J
P/N: 65-4298-00-00	
DR: CJ	CHK: APPR:
FILE: 43320000.SCH	DATE: 04/09/98
SHEET: 1 OF 5	

FCC ID: EW780-4177-B5



<b>VTECH</b> VTECH COMMUNICATIONS LTD.	ADL MKII-B BASE (DS)	VTN CAN
	COMPANDER SECTION	PRC
DR:	CHK:	APPR:
FILE:	DATE:	SHT 2 OF 5

FCC ID: EW780-4177-B5



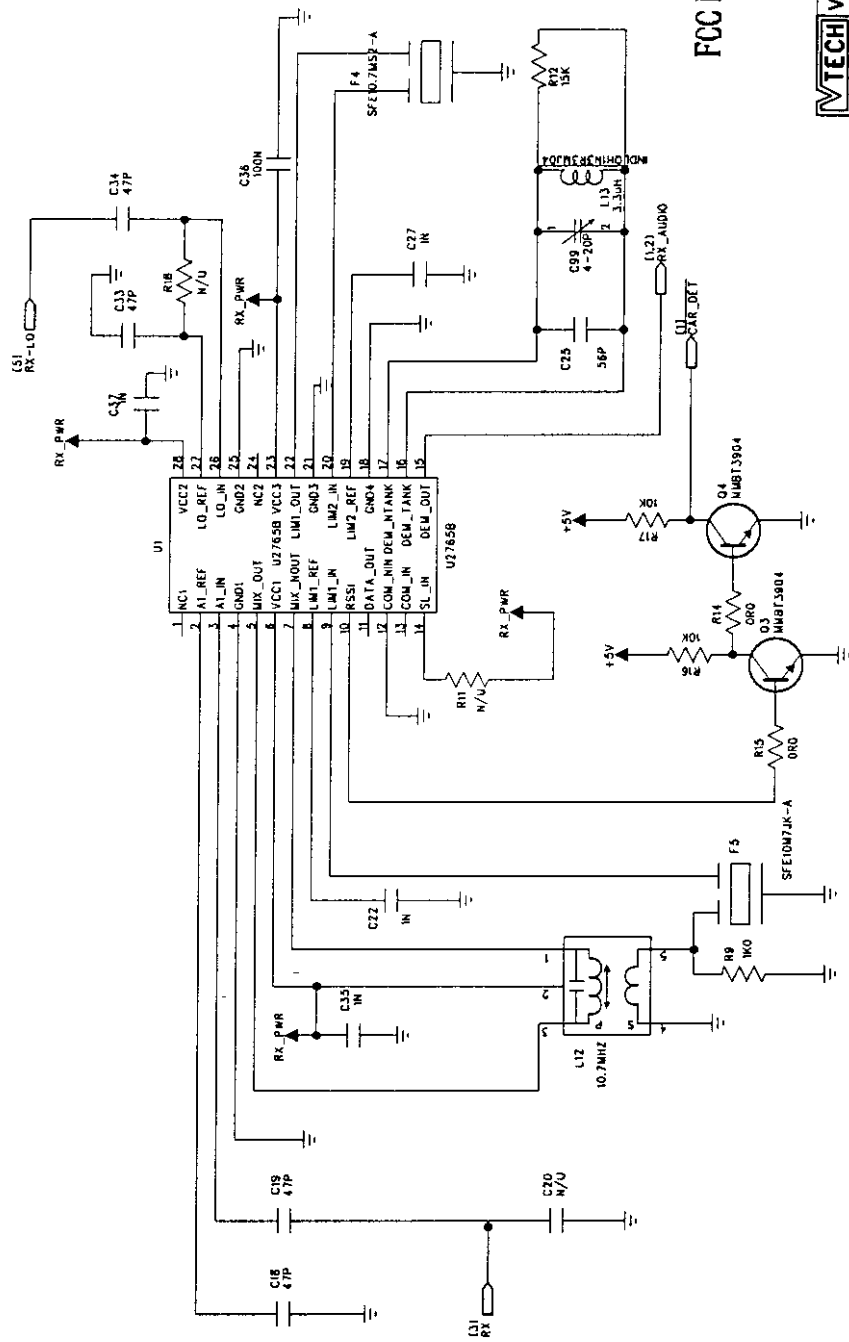
FCC ID: EW780-4177-B5

<b>TECH</b> VTECH COMMUNICATIONS LTD	
ADL MKII-B BASE RF TX & RX FRONT END DUPLEXER	
DR:	CHK:
FILE:	DATE:
APPR:	SHT 3 OF 5

A B C D

1 2 3 4 5 6

(6)



FCC ID: EW780-4177-B5

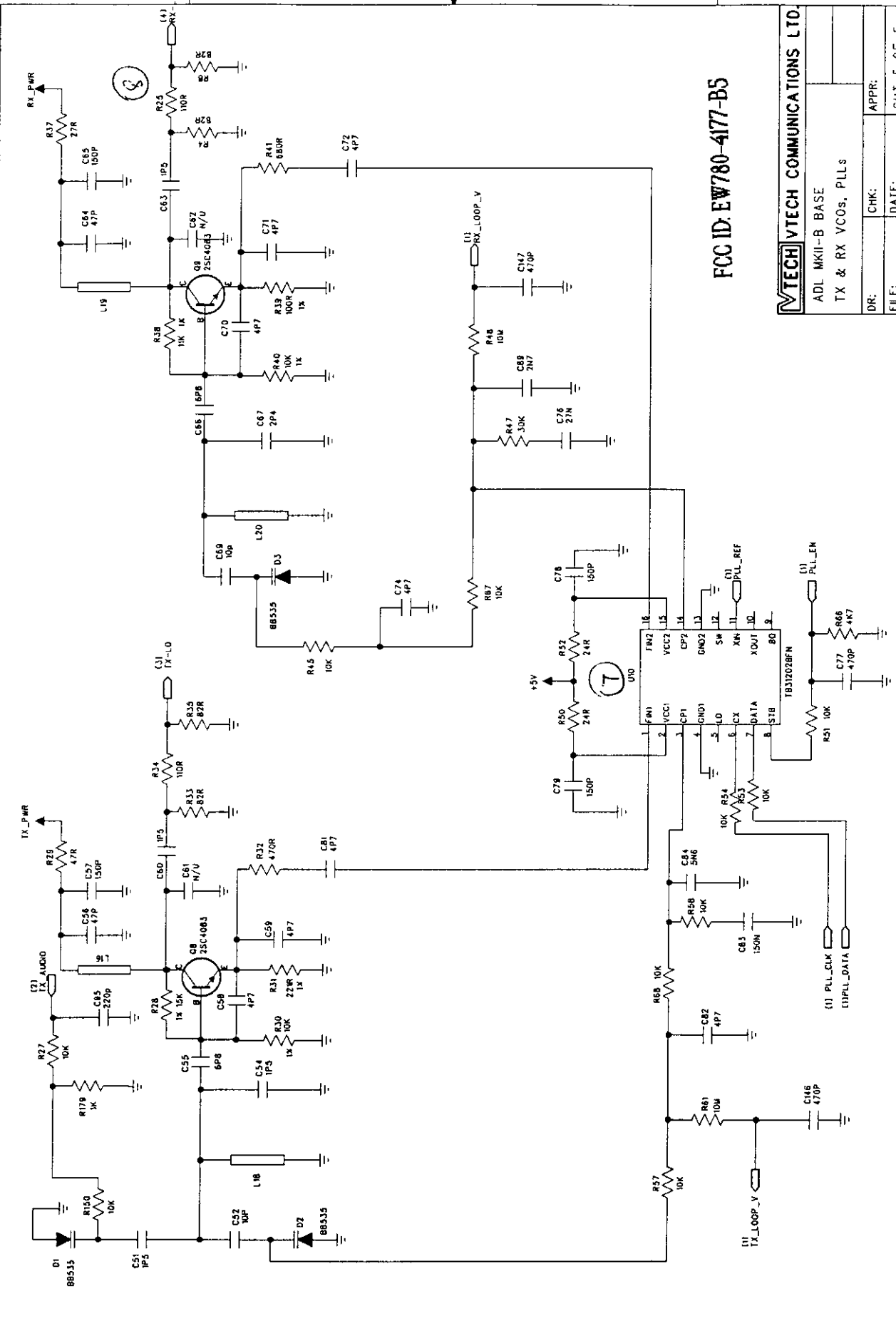
<b>TECH</b> VTECH COMMUNICATIONS LTD.	
ADL MKII-B BASE	
IF, MIXER, DEMOD	
DR:	CHK:
FILE:	DATE:
APPR:	SHT 4 OF 5

1 2 3 4 5 6

A B C D

1 2 3 4 5 6

A B C D

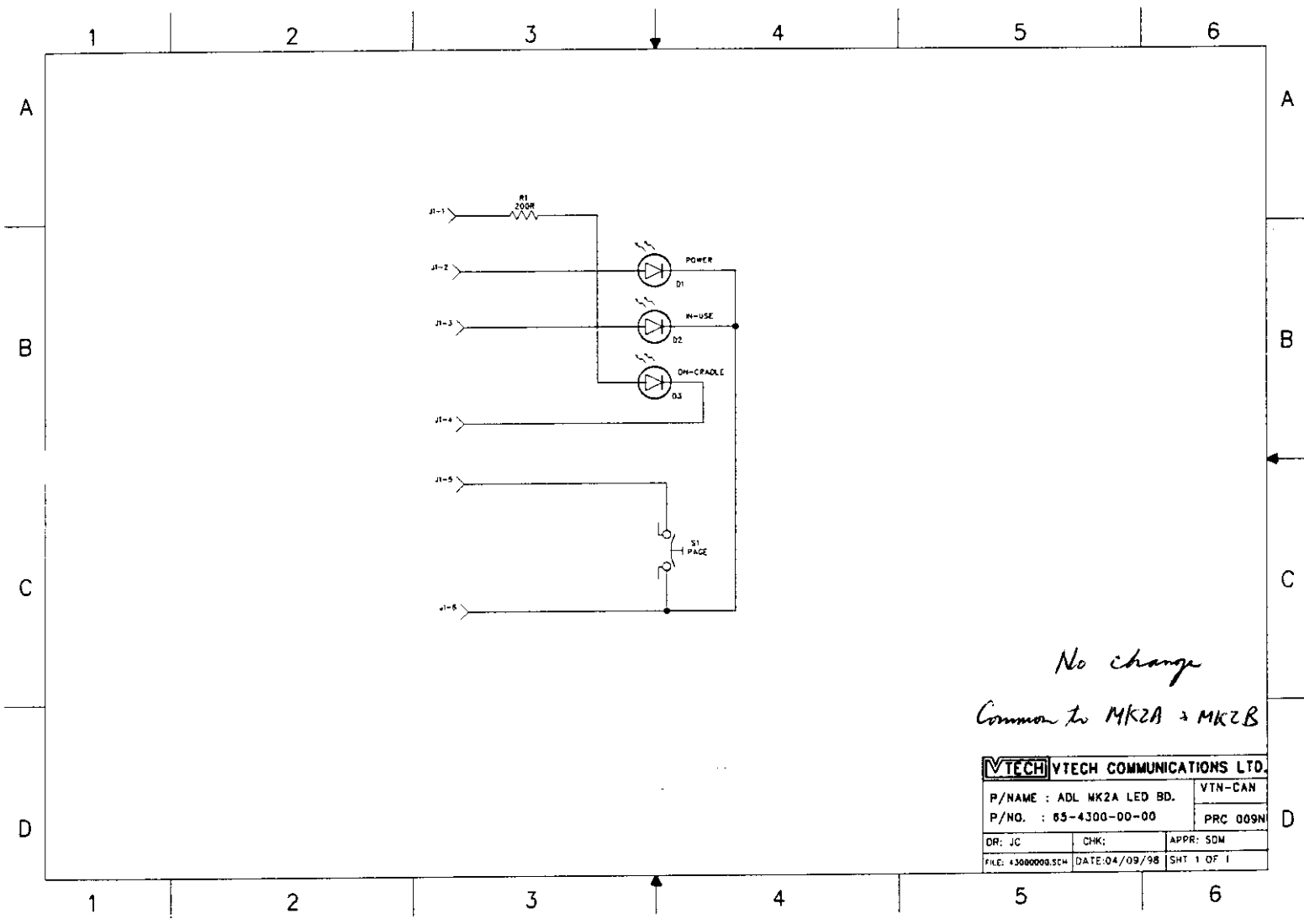


FCC ID: EW780-4177-B5

<b>IVTECH COMMUNICATIONS LTD.</b>			
ADL MKII-B BASE			
TX & RX VCOs, PLLS			
DR:	CHK:	DATE:	APPR:
FILE:			SHT 5 OF 5

1 2 3 4 5 6





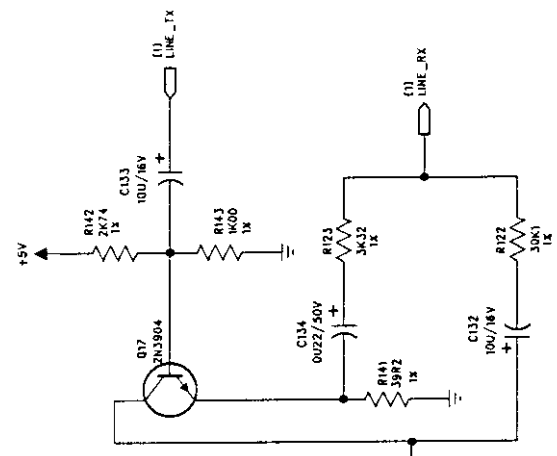
*No change*  
*Common to MK2A & MK2B*

<b>ITECH</b> ITECH COMMUNICATIONS LTD.		
P/NAME : ADL MK2A LED BD.	VTN-CAN	
P/NO. : 65-4300-00-00	PRC 009N	
DR: JC	CHK:	APPR: SDM
FILE: 43000000.SCH	DATE: 04/09/98	SHT: 1 OF 1

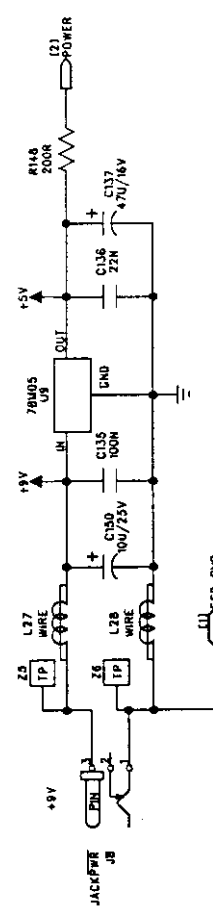
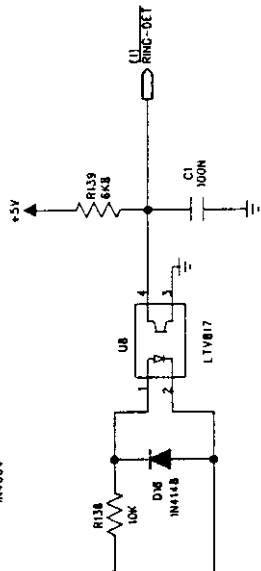
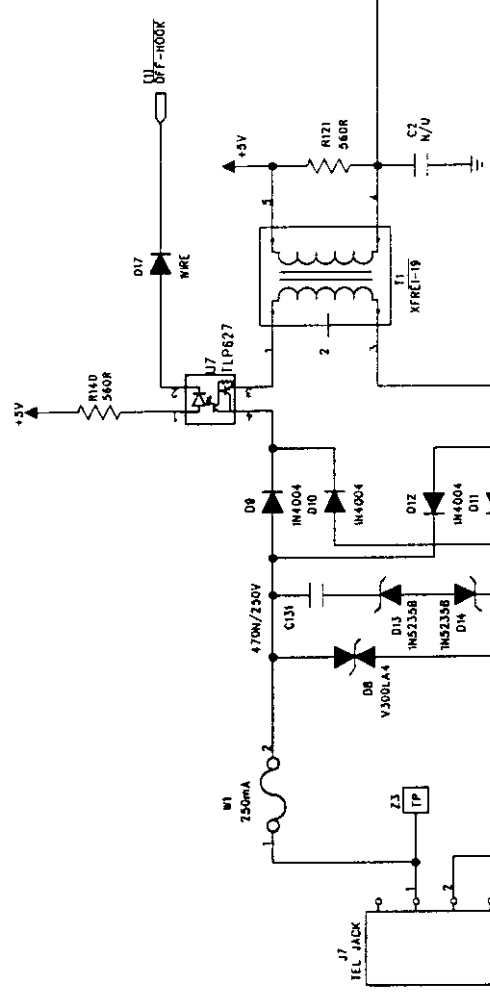
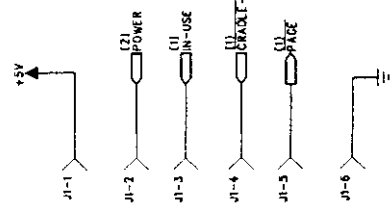
FCC ID: EW780-4177-B5

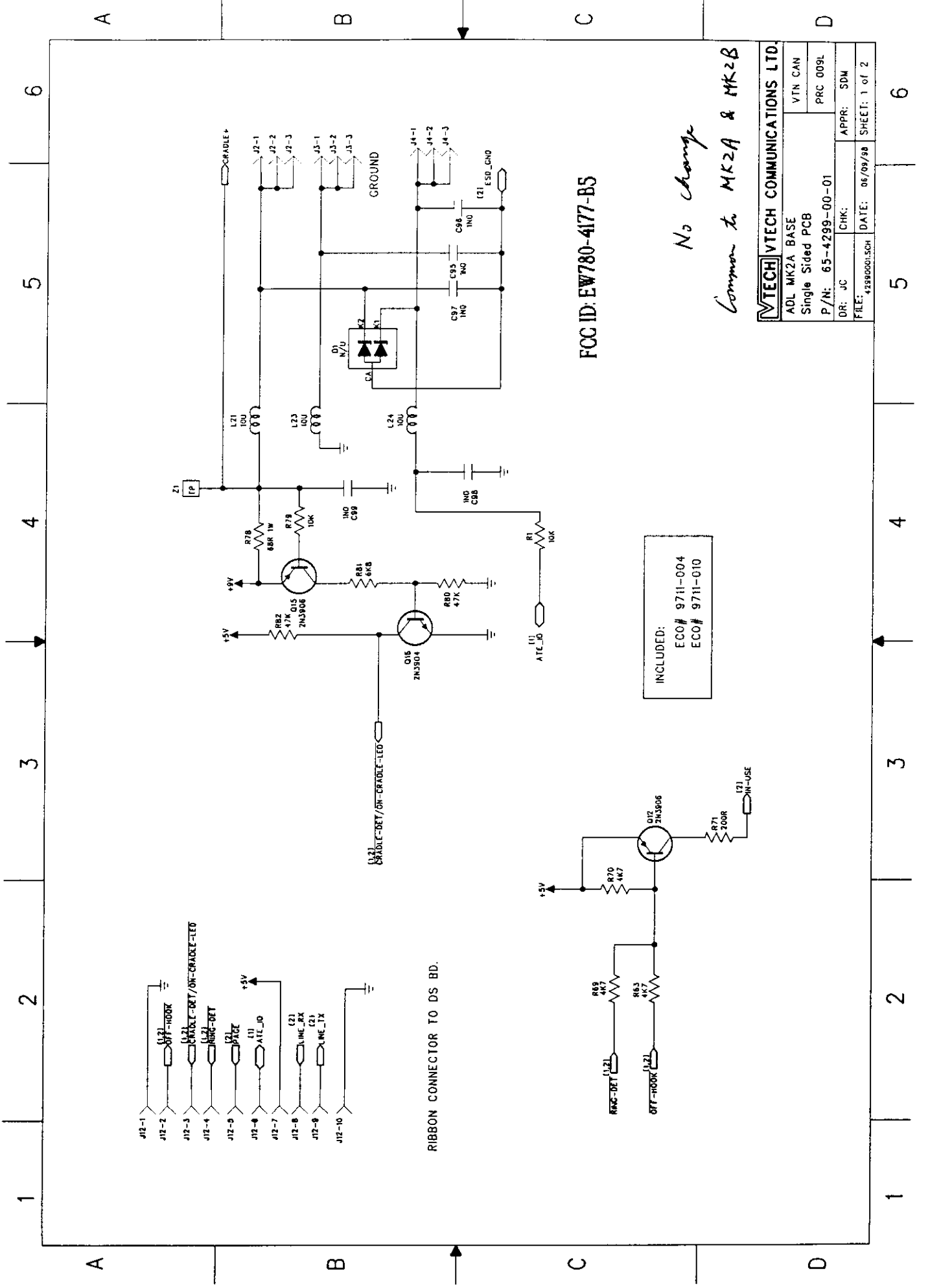
FCC ID: EW780-4177-B5

<b>MECH</b> VTECH COMMUNICATIONS LTD.	
ADL MK2A BASE	VTN CAN
Single Sided PCB	PRC 009L
Line Interface Power Supply	DR: JC
	CHK: APPR: SDM
	FILE: 4399001SCH DATE: 06/09/98 SHEET: 2 of 2



LED CONNECTOR





RIBBON CONNECTOR TO DS BD.

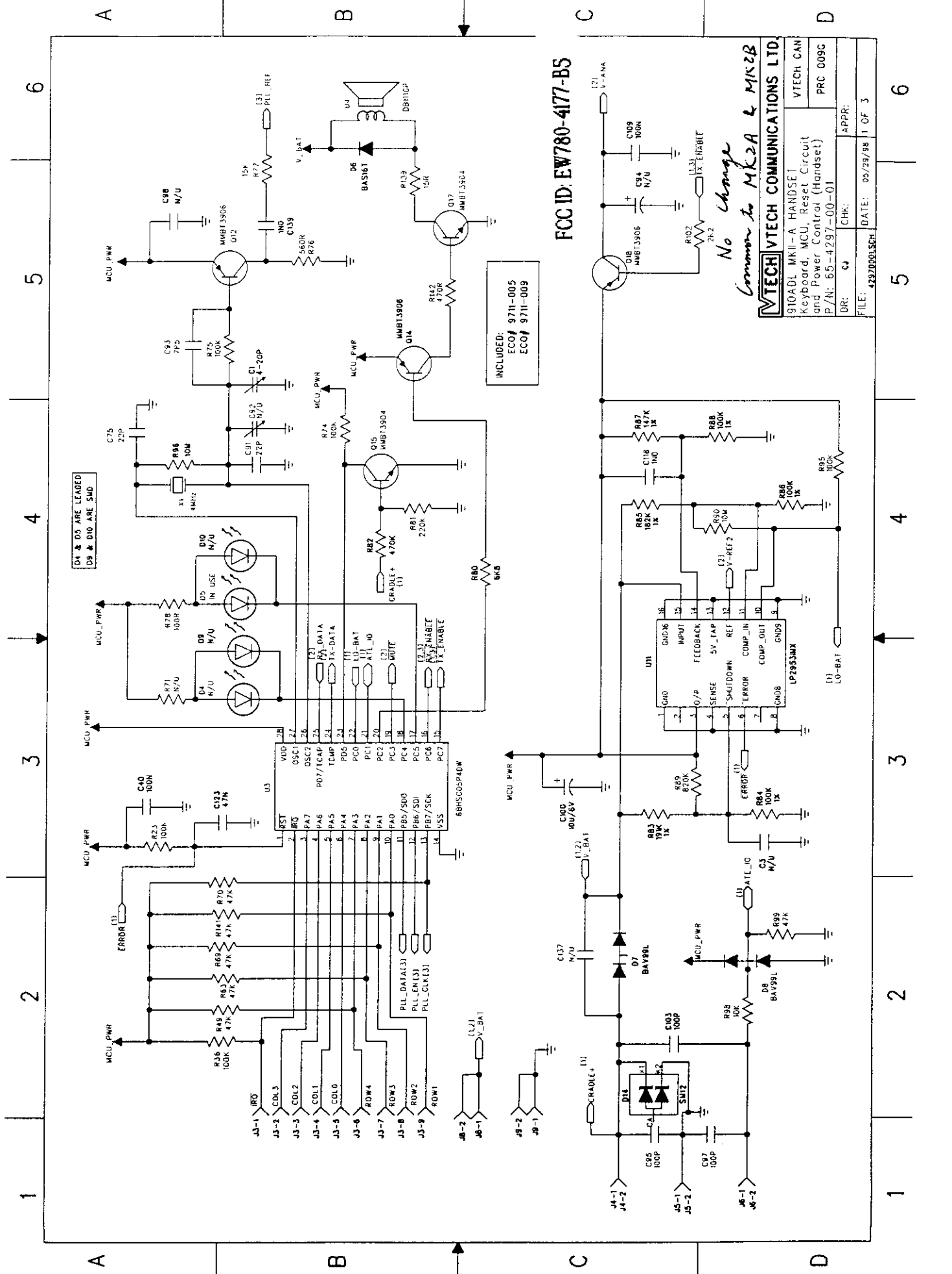
INCLUDED:  
 ECO# 9711-004  
 ECO# 9711-010

FCC ID: EW780-4177-B5

No change

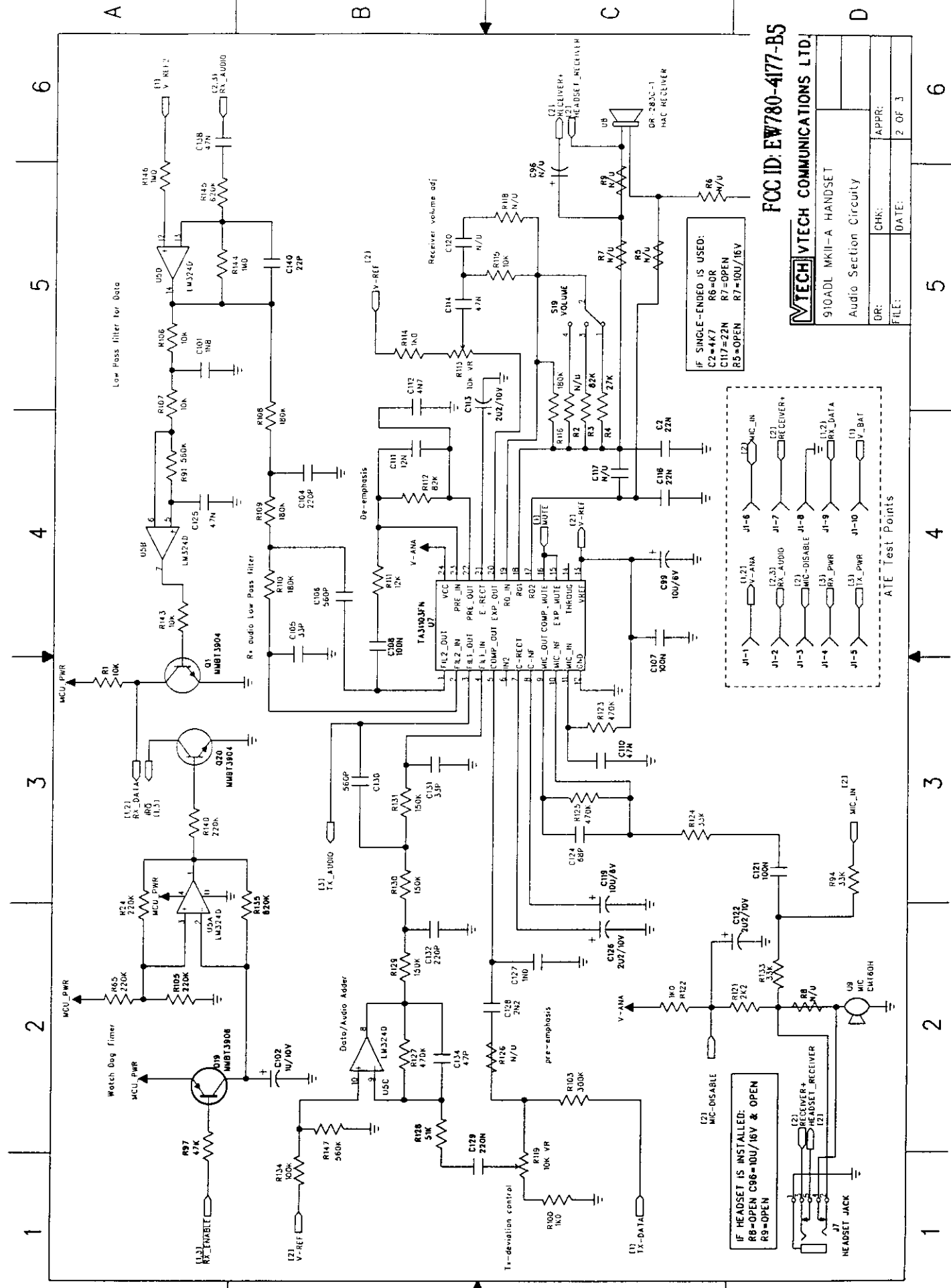
Common to MK2A & MK2B

<b>VTECH</b> VTECH COMMUNICATIONS LTD.	
ADL MK2A BASE	VTN CAN
Single Sided PCB	PRC 009L
P/N: 65-4299-00-01	
DR: JC	CHK: APPR: SDM
FILE: 42990001.SCH	DATE: 06/09/98 SHEET: 1 of 2



FCC ID: EW780-4177-B5

<b>VTECH</b> VTECH COMMUNICATIONS LTD	
910ADL MKII-A HANDSET	VTECH CAN
Keyboard, MCU, Reset Circuit and Power Control (Handset)	PRC 009C
P/N: 65-4297-00-01	
DR: CU	CHK: APPR:
FILE: 42970001.SCH	DATE: 05/25/98
	1 OF 3

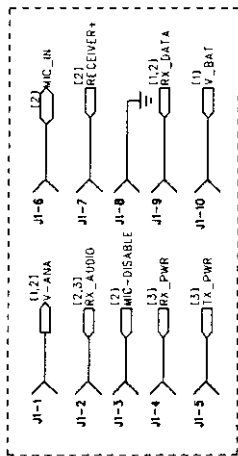


FCC ID: EW780-4177-B5

**ITECH** VTECH COMMUNICATIONS LTD.  
 910ADL MKII-A HANDSET  
 Audio Section Circuitry

DR:	CHK:	APPR:
FILE:	DATE:	2 OF 3

IF SINGLE-ENDED IS USED:  
 C2=4K7 R6=OR  
 C117=22N R7=OPEN  
 R5=OPEN R7=10U/16V

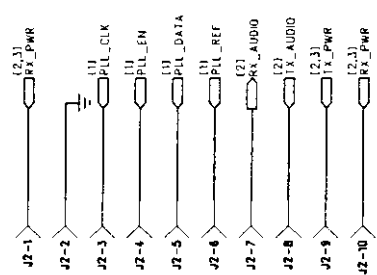


IF HEADSET IS INSTALLED:  
 R8=OPEN C96=10U/16V & OPEN  
 R9=OPEN

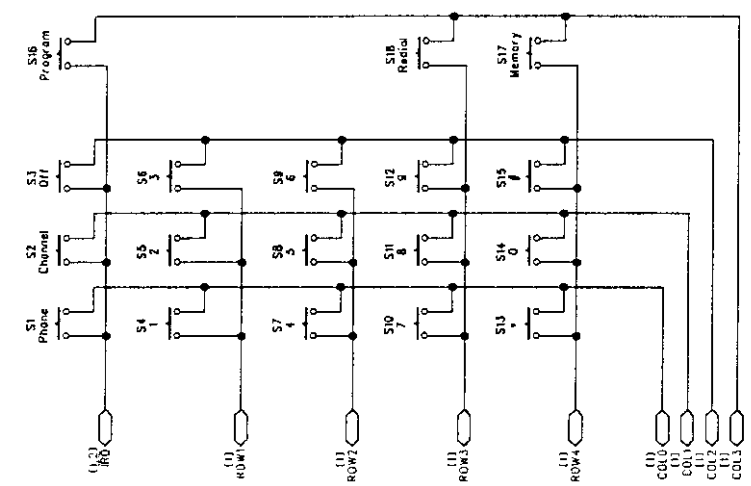
42970001.0001-13 - F444 C311 F42 F43 : C00 : 24 F43 : 0

1 2 3 4 5 6

A B C D

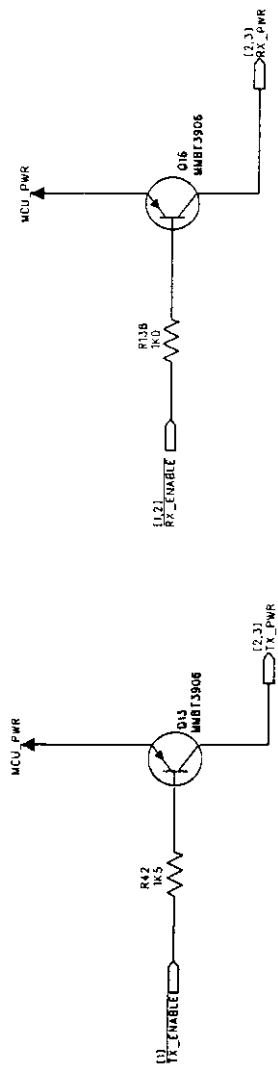


RF RIBBON CABLE CONNECTOR



FCC ID: EW780-4177-B5

<b>VTECH</b> VTECH COMMUNICATIONS LTD.		
S10ADL MKII-A HANDSET		
FINGER KEYPAD		
DR:	CHK:	APPR:
FILE: 4183001.SCH	DATE: 06/17/97	J of 5



1 2 3 4 5 6

A B C D