

Model: LS6331 Base Antenna

Antenna description:

This wire Monopole antenna is optimized and used in the Base unit. This antenna is directly soldered to the ANT RF output in the main PCB.

| Model Number | Description |
|---------------|-----------------|
| LS6331 BS ANT | 1.9GHz Monopole |

Specification:

| | |
|----------------------------------|---|
| Operation Frequency Range | 1921.536 to 1928.448 MHz |
| Maximum Gain | 0 dBi |
| Type | Monopole |
| Operation bandwidth | 70MHz |
| Nominal Impedance | ~50 ohms |
| Manufacturer | Vtech Telecommunications Ltd |
| Manufacturer address | 23/F, Tai Ping Industrial Centre, Blk1, 57 Ting Kok Road, Tai Po, Hong Kong |
| Model number | ANT-LS6331-F-DE-0 |

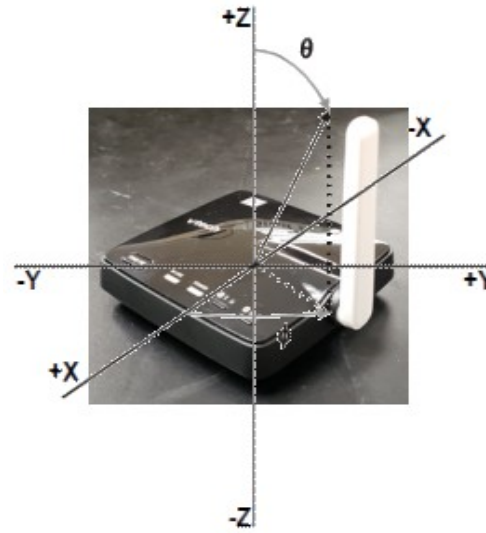
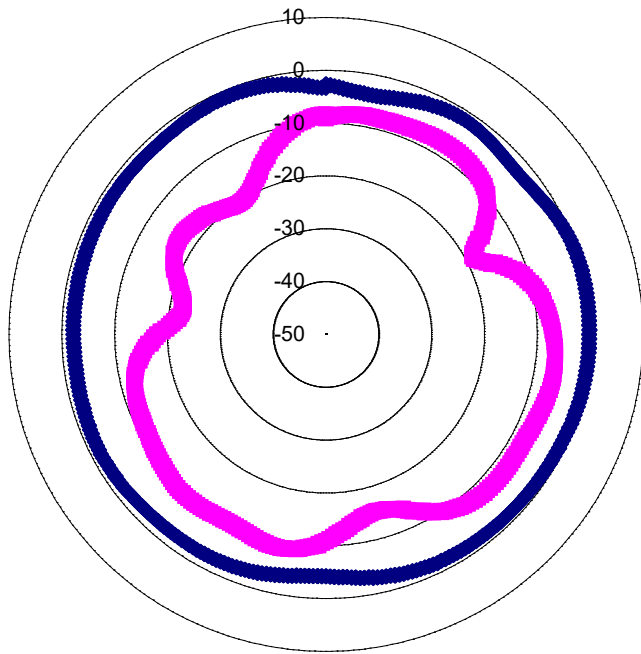
*NOTE: Frequency and Orientation with maximum Antenna Gain.

Frequency: 1924.992 MHz

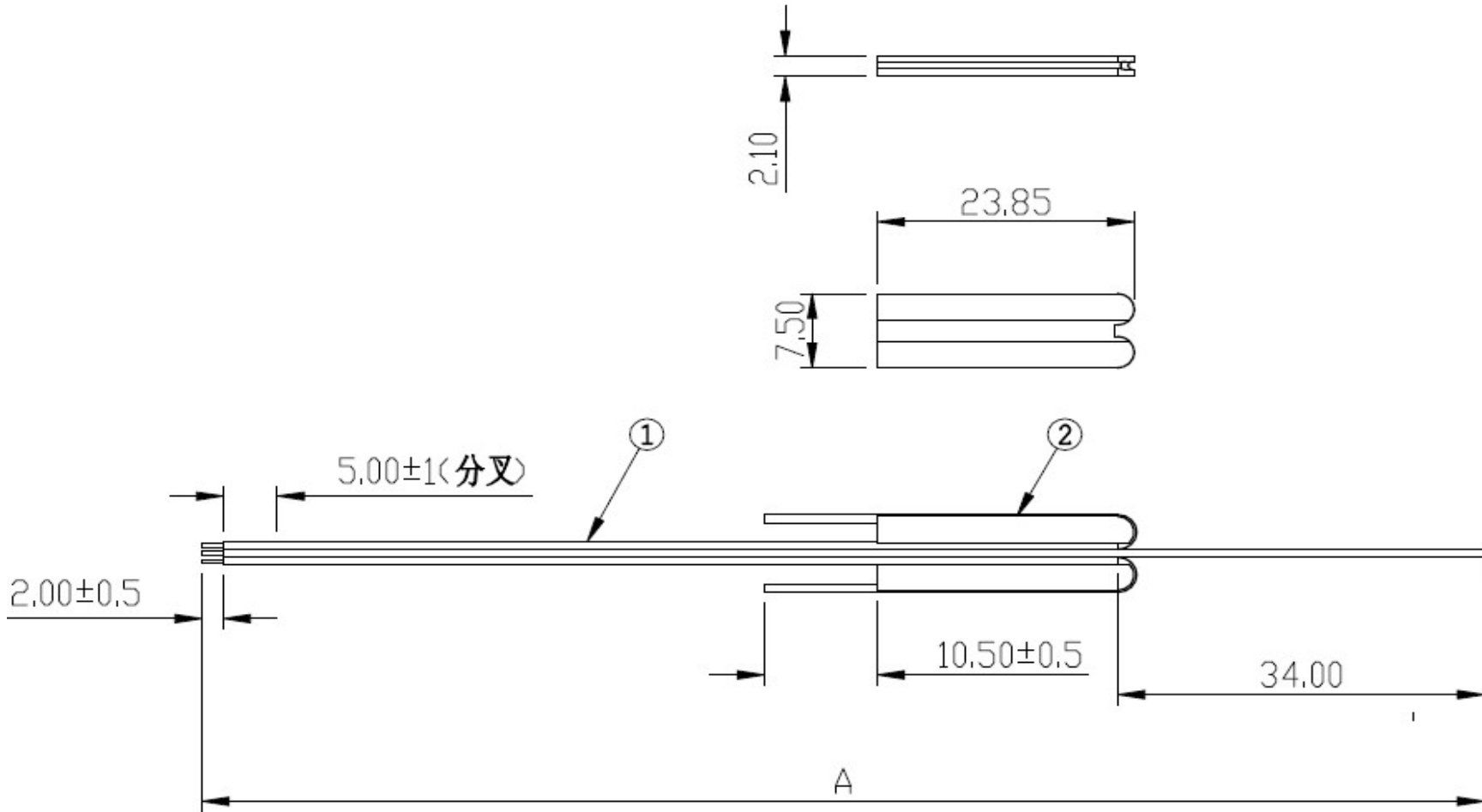
| | Vertical | Horizontal |
|--------------------|----------|------------|
| Antenna Gain (dBi) | 0.00 | -6.19 |

LS6331 BS ANT Radiation Pattern_XY Plane

— Vertical
— Horizontal



LS6331 BS ANT Antenna Dimensions in mm



Model: LS6331 Base Bluetooth Antenna

Antenna description:

This printed F antenna is optimized and used in the Base unit. This antenna is directly soldered to the Bluetooth RF output in the main PCB.

| Model Number | Description |
|------------------|--------------------------|
| LS6331 BS BT ANT | 2.4GHz Printed F Antenna |

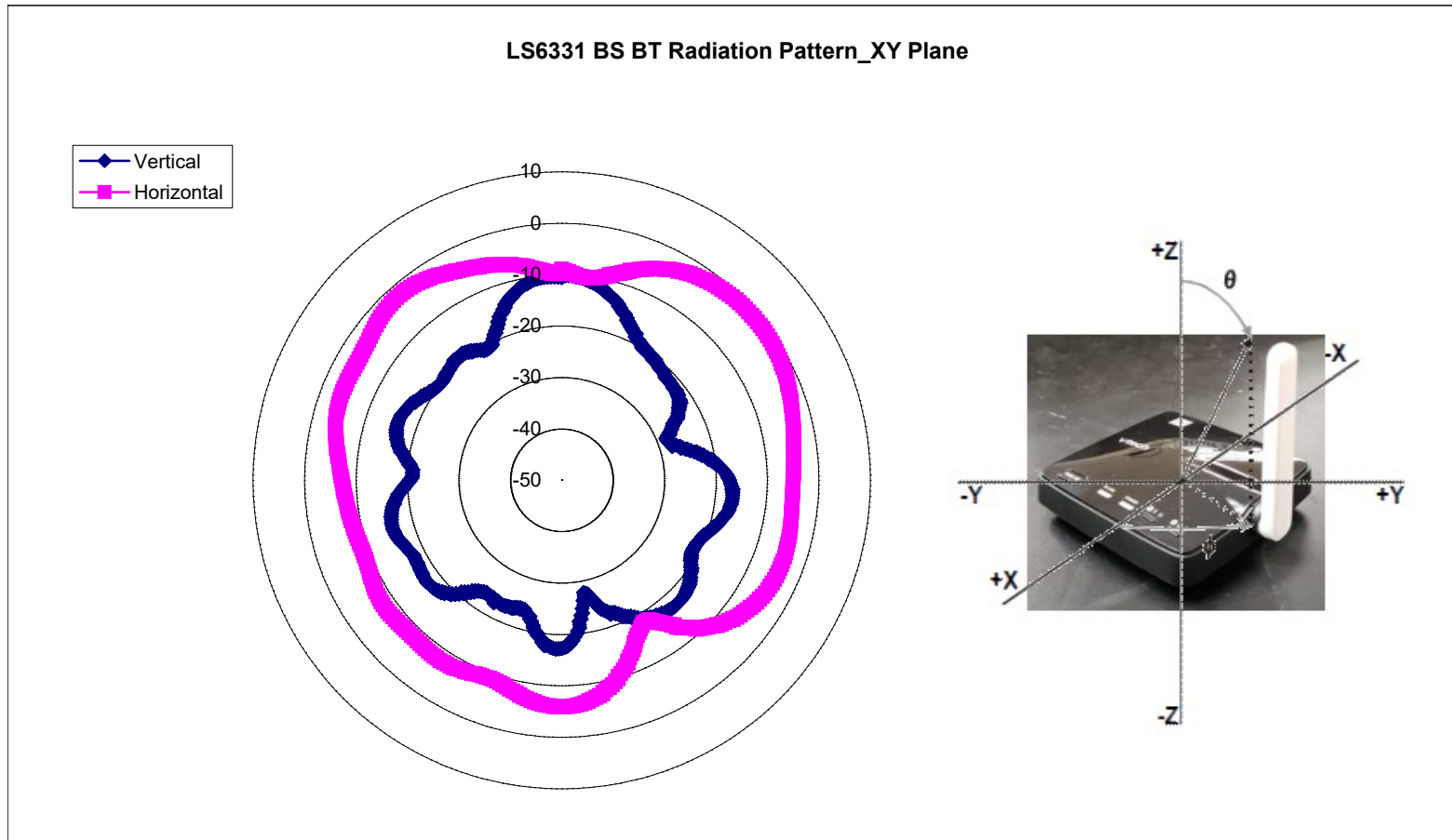
Specification:

| | |
|----------------------------------|---|
| Operation Frequency Range | 2402 to 2480 MHz |
| Maximum Gain | 0 dBi |
| Type | Printed F Antenna |
| Operation bandwidth | 90MHz |
| Nominal Impedance | ~50 ohms |
| Manufacturer | Vtech Telecommunications Ltd |
| Manufacturer address | 23/F, Tai Ping Industrial Centre, Blk1, 57 Ting Kok Road, Tai Po, Hong Kong |
| Model number | ANT-LS6331-F-BT-0 |

*NOTE: Frequency and Orientation with maximum Antenna Gain.

Frequency: 2440MHz

| | Vertical | Horizontal |
|--------------------|----------|------------|
| Antenna Gain (dBi) | -10.18 | 0 |



LS6331 BS BT Antenna Dimensions in mm

