

Go to www.vtechphones.com to register your product for enhanced warranty support and latest VTech product news.

RM5887HD
5" Smart Wi-Fi 1080p
Over-the-Crib Monitor



For more support information



RM5887HD

Congratulations

on purchasing your new VTech product.
Before using this baby monitor, please read the **Important safety instructions**.
For support, shopping, and everything new at VTech, visit our website at www.vtechphones.com. In Canada, visit www.vtechcanada.com.

What does HD Video Monitor do?

VTech 5" Smart Wi-Fi 1080p Over-the-Crib Monitor allows you to stay close to your baby when you are on the move or away. This monitor is Wi-Fi enabled, using your home wireless network to stream live video and audio through the 1080p baby unit and 5-inch color screen parent unit. It allows you to maintain a constant connection to your baby.

You can also monitor from your smartphone or mobile tablet.
VTech 5" Smart Wi-Fi 1080p Video Monitor uses **MyVTech Baby Pro** app to let you instantly see and hear what's happening with your baby from anywhere in the world. The app can be downloaded from the App Store or the Google Play™ Store.

IMPORTANT SAFETY INSTRUCTIONS

The applied nameplate is located at the bottom of the baby unit's base. When using your equipment, basic safety precautions should always be followed to reduce the risk of fire, electric shock and injury, including the following:

- Follow all warnings and instructions marked on the product.
- Adult setup is required.
- CAUTION:** Do not install the baby unit at a height above 6.5 feet (2 meters).
- This product is intended as an aid. It is not a substitute for responsible and proper adult supervision and should not be used as such.
- This product is not intended for use as a medical monitor.
- Do not use this product near water, for example, near to a bath, sink, swimming pool or shower.
- CAUTION:** Use only the battery provided. There may be a risk of explosion if a wrong type of battery is used for the parent unit. The battery cannot be subjected to high or low extreme temperature and low air pressure at high altitude during use, storage or transportation. Disposal of battery in fire or a hot oven, or mechanically crushing or cutting the battery can result in an explosion. Leaving the battery in an extremely high temperature surrounding environment may result in an explosion or the leakage of flammable liquid or gas. Battery subjected to extremely low air pressure may result in an explosion or the leakage of flammable liquid or gas. Dispose of used battery according to the information in **The RBRC** seal.
- Use only the adapters included with this product. Incorrect adapter polarity or voltage can seriously damage the product.

Power adapter information:
Baby Unit Output: 5V DC 1.5A
Vtech Telecommunications Ltd.
Model: VT0EUS05150
Parent Unit Output: 5V DC 2A
Vtech Telecommunications Ltd.
Model: VT0EUS05020

Rechargeable battery information:
3.7V 5000mAh, 18.5Wh Lithium-ion battery
Multi-Great Power Energy Co., Ltd.
Model: GSP806090-5Ah-3.7V-151P

- The power adapter is intended to be correctly oriented in a vertical or floor mount position. The prongs are not designed to hold the plug in place if it is plugged into a ceiling, under-the-table or cabinet outlet.
- For pluggable equipment, the socket-outlet (power adapter) should be installed near the equipment and should be easily accessible.
- Unplug this product from the wall outlet before cleaning. Do not use liquid or aerosol cleaners. Use a damp cloth for cleaning.
- Do not cut off the power adapters to replace them with other plugs, as this causes a hazardous situation.
- Do not allow anything to rest on the power cords. Do not install this product where the cords may be walked on or tripped.
- This product should be operated only from the type of power source indicated on the marking label. If you are not sure of the type of power supply in your home, consult your dealer or local power company.
- Do not overload wall outlets or use an extension cord.
- Do not place this product on an unstable table, shelf, stand or other unstable surfaces.
- This product should not be placed in any area where proper ventilation is not provided. Slots and openings in the back or bottom of this product are provided for ventilation. To protect them from overheating, these openings must not be blocked by placing the product on a soft surface such as a bed, sofa or rug. This product should never be placed near or over a radiator or heat source.
- Never push objects of any kind into this product through the slots because they may touch dangerous voltage points or create a short circuit. Never spill liquid of any kind on the product.
- To reduce the risk of electric shock, do not disassemble this product, but take it to an authorized service facility. Opening or removing parts of the product other than speaker access doors may expose you to dangerous voltages or other risks. Incorrect reassembly can cause electric shock when the product is subsequently used.
- You should test the sound reception every time you turn on

- Periodically examine all components for damage.
- There is a very low risk of privacy loss when using certain electronic devices, such as baby monitors, cordless telephones, etc. **To protect your privacy, make sure the product has never been used before purchase, reset the baby monitor periodically by powering off and then powering on the units, and power off the baby monitor if you will not use it for some time.**
- Children should be supervised to ensure that they do not play with the product.
- The small parts of this monitor can be swallowed by babies or small children. Keep these parts out of reach of children.
- The product is not intended for use by persons (including children) with reduced physical, sensory or mental capabilities, or lack of experience and knowledge, unless they have been given supervision or instruction concerning use of the appliance by a person responsible for their safety.

SAVE THESE INSTRUCTIONS

- Use and store the product at a temperature between 32°F (0°C) and 104°F (40°C).
- Mishandling batteries can cause burn, fire or explosion hazards.
- Batteries should not be exposed to excessive heat such as bright sunlight or fire.
- Do not expose the product to extreme cold, heat or direct sunlight. Do not put the product close to a heating source.
- Warning—Strangulation Hazard—** Cords have STRANGLING in cords. Keep this cord out of the reach of children (more than 3 ft (0.9m) away). Do not remove warning label on the adaptor cord.
- Never place the camera unit(s) inside the baby's cot or playpen. Never cover the camera unit(s) or parent unit with anything such as a towel or a blanket.
- Other electronic products may cause interference with your camera unit. Try installing your camera unit as far away from these electronic devices as possible: wireless routers, radios, cellular telephones, intercoms, room monitors, televisions, personal computers, kitchen appliances and cordless telephones.

Precautions for users of implanted cardiac pacemakers
Cardiac pacemakers (applies only to digital cordless devices): Wireless Technology Research, LLC (WTR), an independent research entity, led a multidisciplinary evaluation of the interference between portable wireless devices and implanted cardiac pacemakers. Supported by the U.S. Food and Drug Administration, WTR recommends to physicians that:

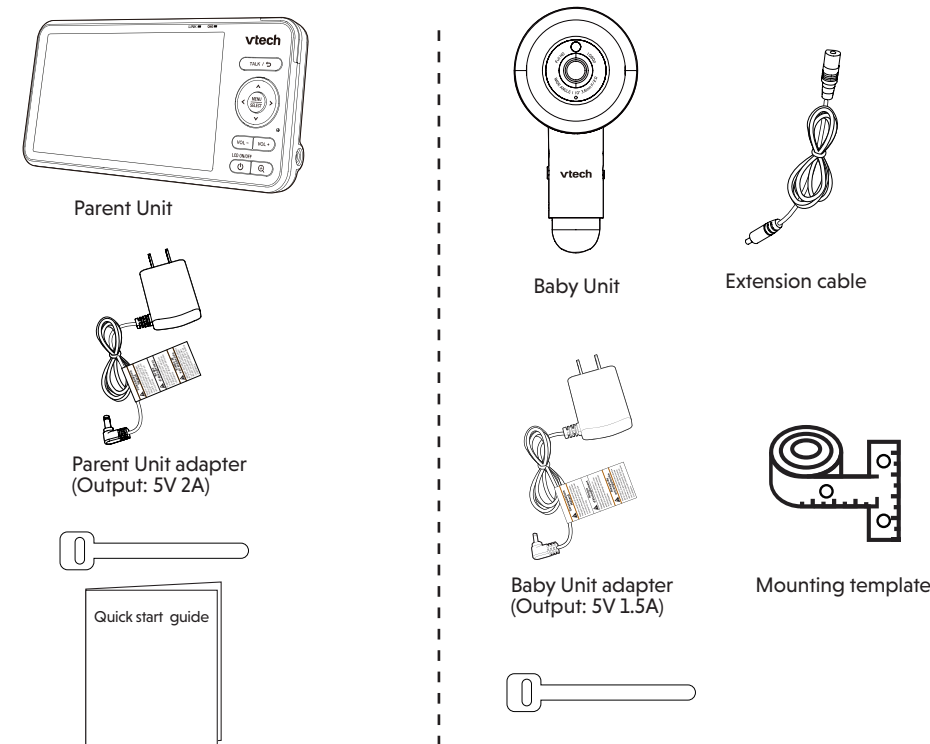
- Pacemaker patients**
 - Should keep wireless devices at least six inches from the pacemaker.
 - Should NOT place wireless devices directly over the pacemaker, such as in a breast pocket, when it is turned ON.

WTR's evaluation did not identify any risk to bystanders with pacemakers from other persons using wireless devices.

Electromagnetic fields (EMF)
This VTech product complies with all standards regarding electromagnetic fields (EMF). If handled properly and according to the instructions in this user's manual, the product is safe to be used based on scientific evidence available today.

WHAT'S IN THE BOX

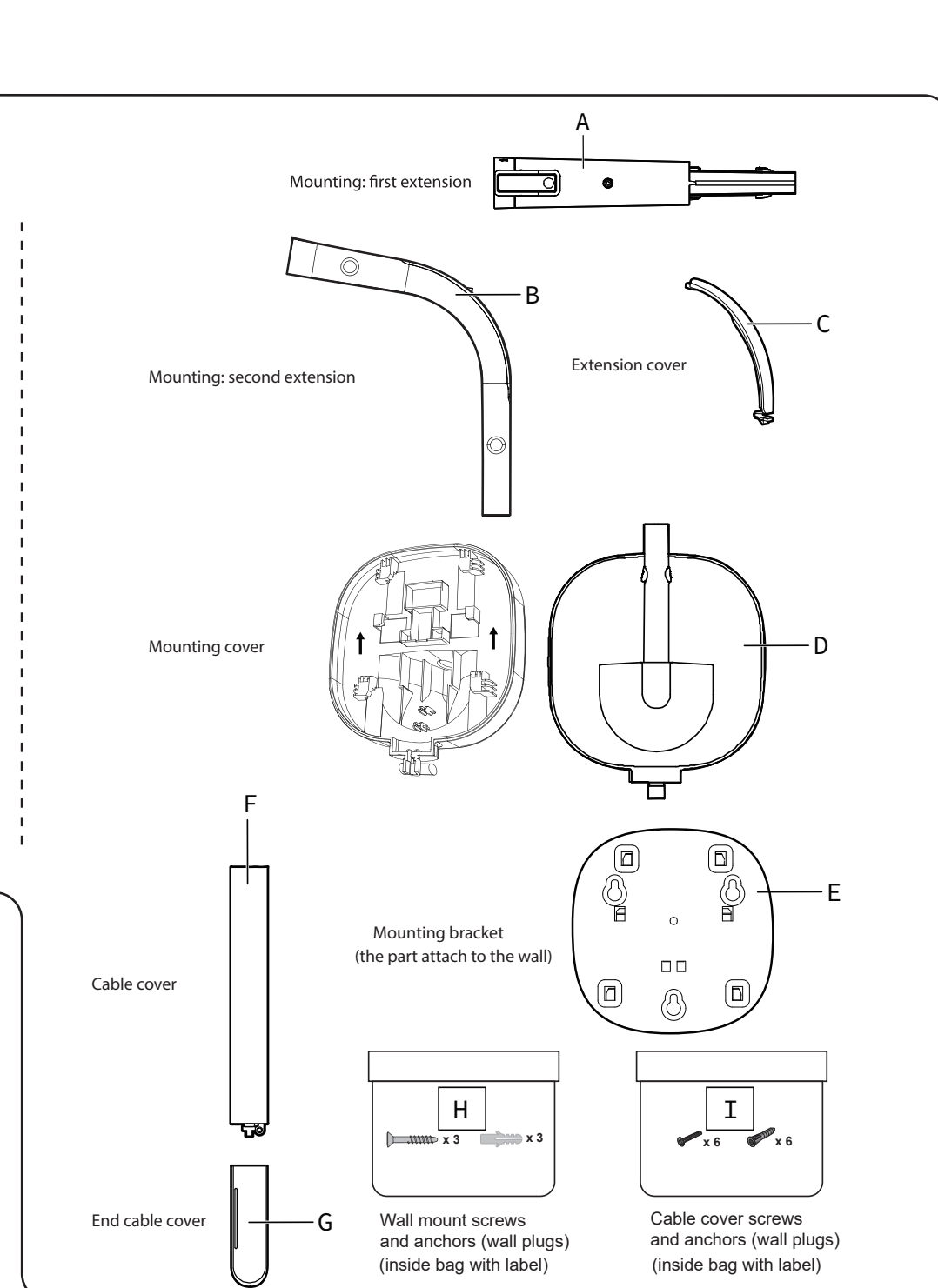
Your baby monitor package contains the following items. Save your sales receipt and original packaging in the event warranty service is necessary.



Requirements

For mobile access:

MyVTech Baby Pro mobile app	
Network	Wi-Fi
Wi-Fi router	2.4GHz 802.11 b/g/n
Internet connection	1.5 Mbps @ 720p or 2.5 Mbps @ 1080p upload bandwidth per baby unit

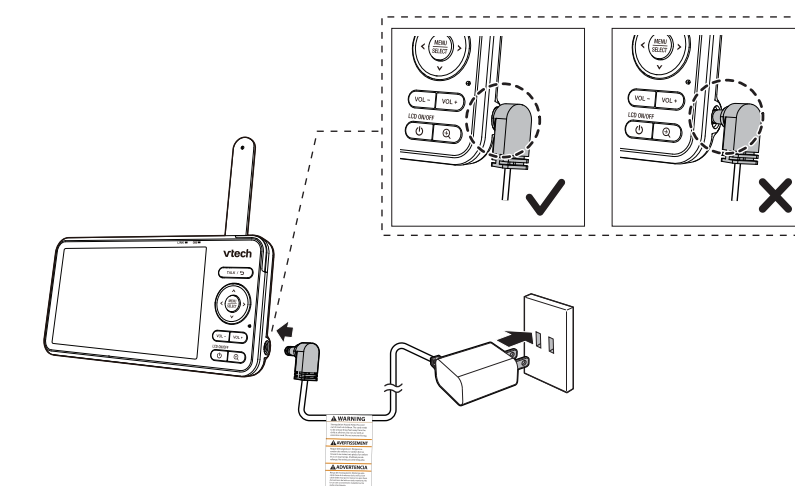


CONNECT, CHARGE AND POWER ON THE PARENT UNIT

Connect the baby monitor

NOTES

- The rechargeable battery in the parent unit is built-in.
- Use only the power adapters supplied with this product.
- Make sure the parent unit and the baby unit are not connected to the switch controlled electric outlets.
- Connect the power adapters in a vertical or floor mount position only. The adapter prongs are not designed to hold the weight of the parent unit and the baby unit, so do not connect them to any ceiling, under-the-table, or cabinet outlets. Otherwise, the adapter may not properly connect to the outlets.
- Make sure the parent unit, the baby unit and the power adapter cords are out of reach of children.



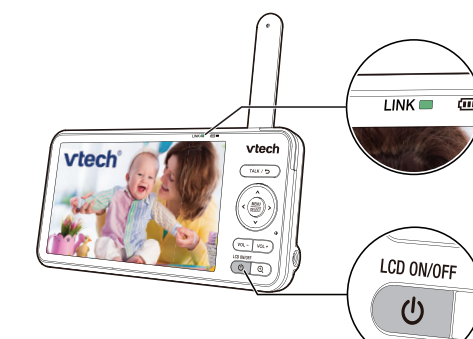
Charge the parent unit battery before use

The parent unit runs on rechargeable battery or AC power. To continuously monitor your baby, keep the parent unit connected to AC power.

NOTES

- Before using the baby monitor for the first time, charge the parent unit battery for 12 hours. When the parent unit battery is fully charged, the battery icon becomes solid.
- The standby time varies depending on your actual use.

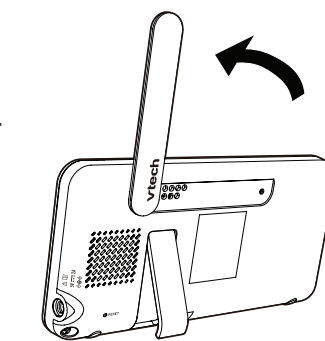
The parent unit turns on automatically after connecting to the power socket, and the welcome screen appears. You can press **Power** to turn the parent unit on or **press and hold** to turn it off.



The battery icon indicates the battery status (see the following table).

BATTERY INDICATORS	BATTERY STATUS	ACTION
The screen displays and . The LED light flashes.	The battery has very little charge and may be used for only a short time.	Charge without interruption (about 30 minutes).
The battery icon becomes solid .	The battery is fully charged.	To keep the battery charged, connect it to AC power when in use.

Raise the parent unit antenna for better reception



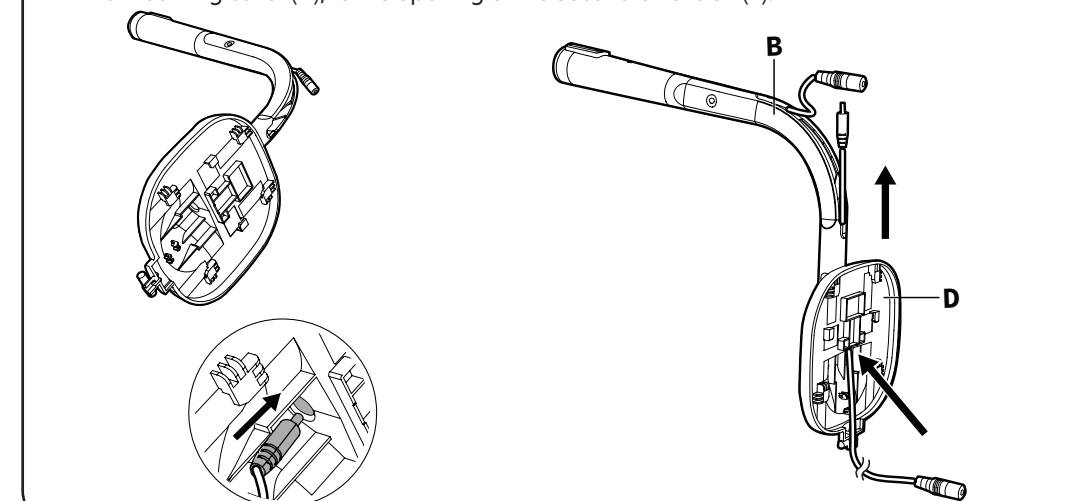
MOUNT THE BABY UNIT

Cautions:

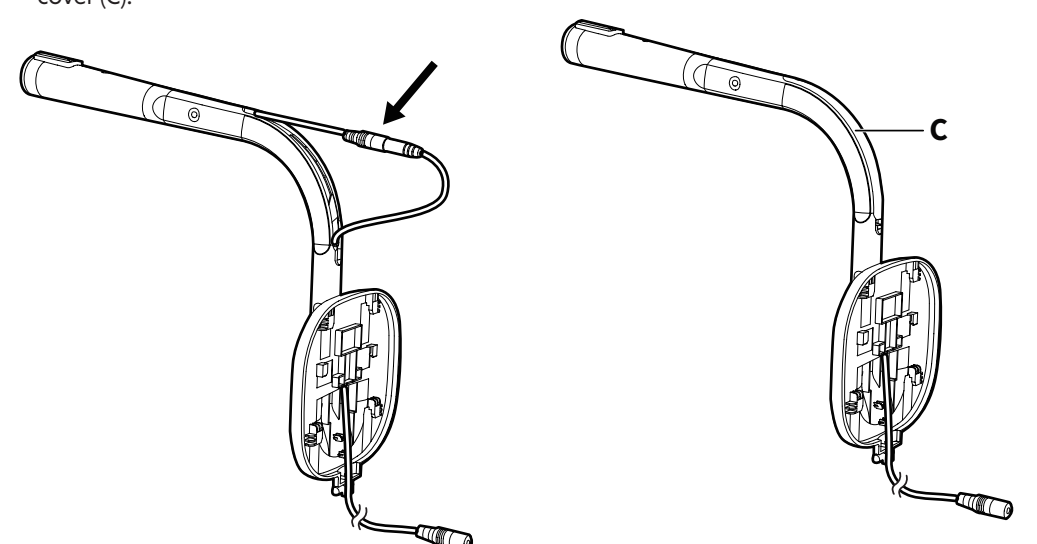
- Wall mount should be 1m above the bed sheet level or baby, and 1.7m above the floor. You can use the mounting template (a paper ruler) for measurement.
- Wall mount should install on the long side of the bed.

Install the wall mount

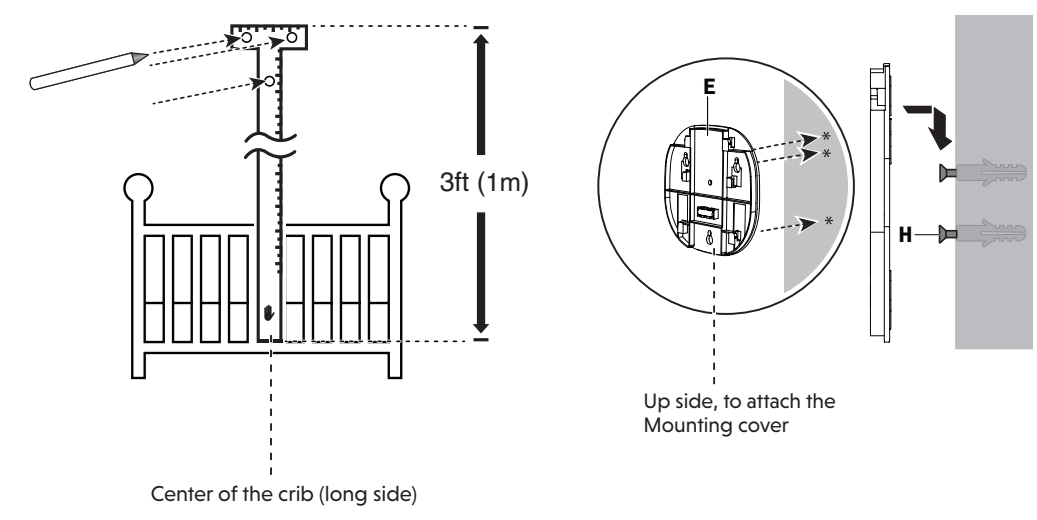
- Insert the First extension (A) onto the Second extension (B), aligning the slot in between. Make sure the DC socket is out on opening of the Second extension and ready for connection.
- Insert the Second extension (B) onto the Mounting cover (D).
- Let the cable jack of the Extension cable pass through from the back of the Mounting cover (D), to the opening of the Second extension (B).



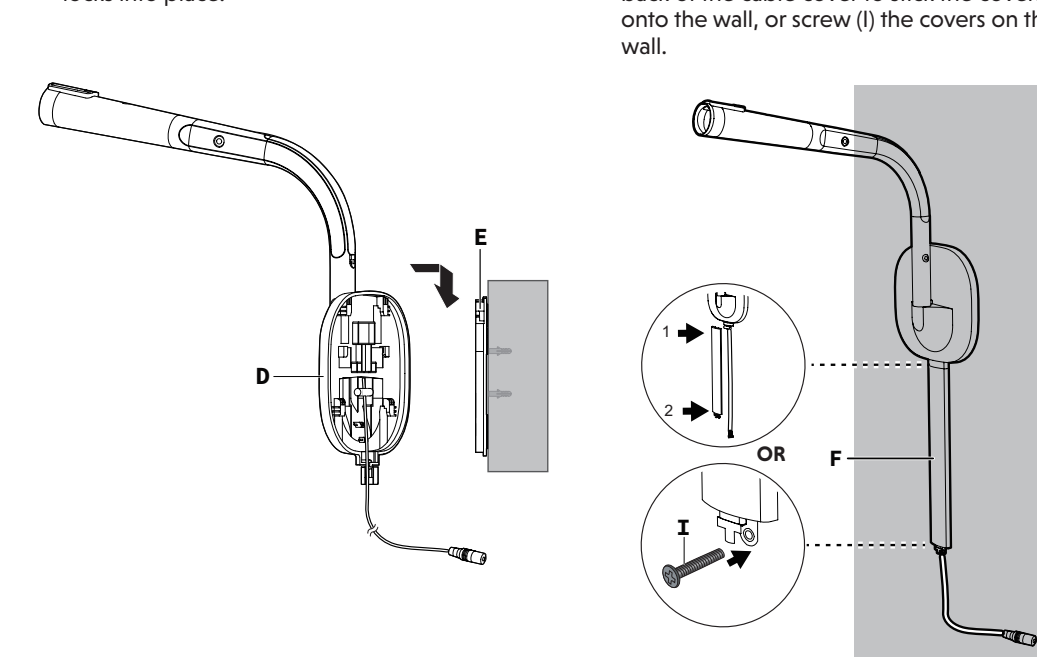
- Connect the cable jack with the DC socket, then secure the cable with the Extension cover (C).



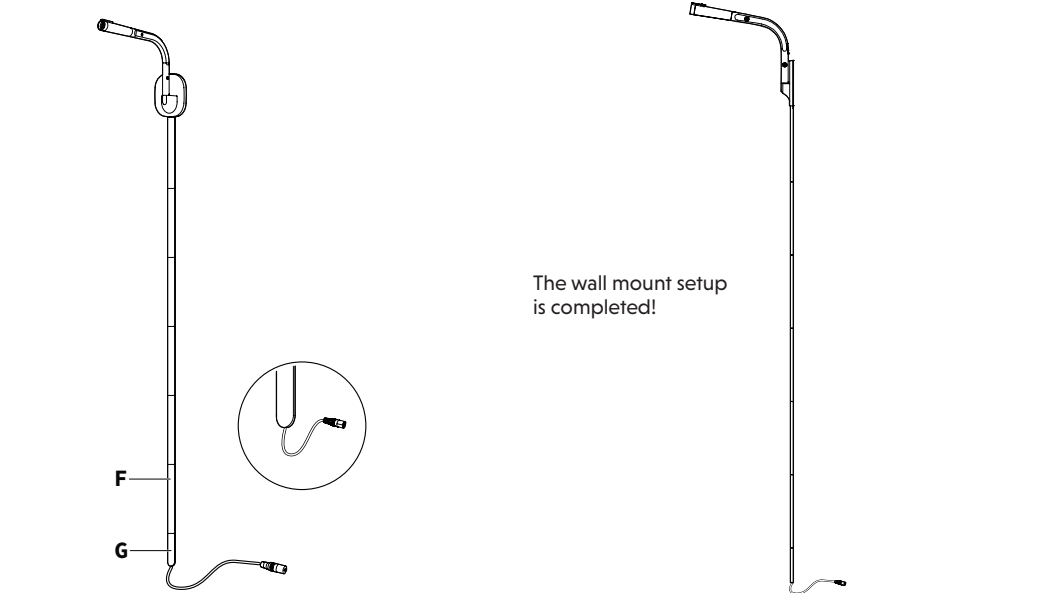
- Use Mounting template to measure the location of the wall mount, and place the Mounting bracket (E) on the wall and mark 3 holes for the screws. Then, drill three holes on the wall (7/32 inch drill bit).
- Insert 3 pieces of standard Wall mount screws (H) and Wall plugs (I) into the holes. Tighten the screws until only 1/4 inch of the screws are exposed. Then, attach the Mounting bracket (E) onto the wall.



- Place the Mounting cover (D) on the Mounting bracket (E), and then slide it downward until it locks into place.



- Install the End cable cover (G) to F) at last.



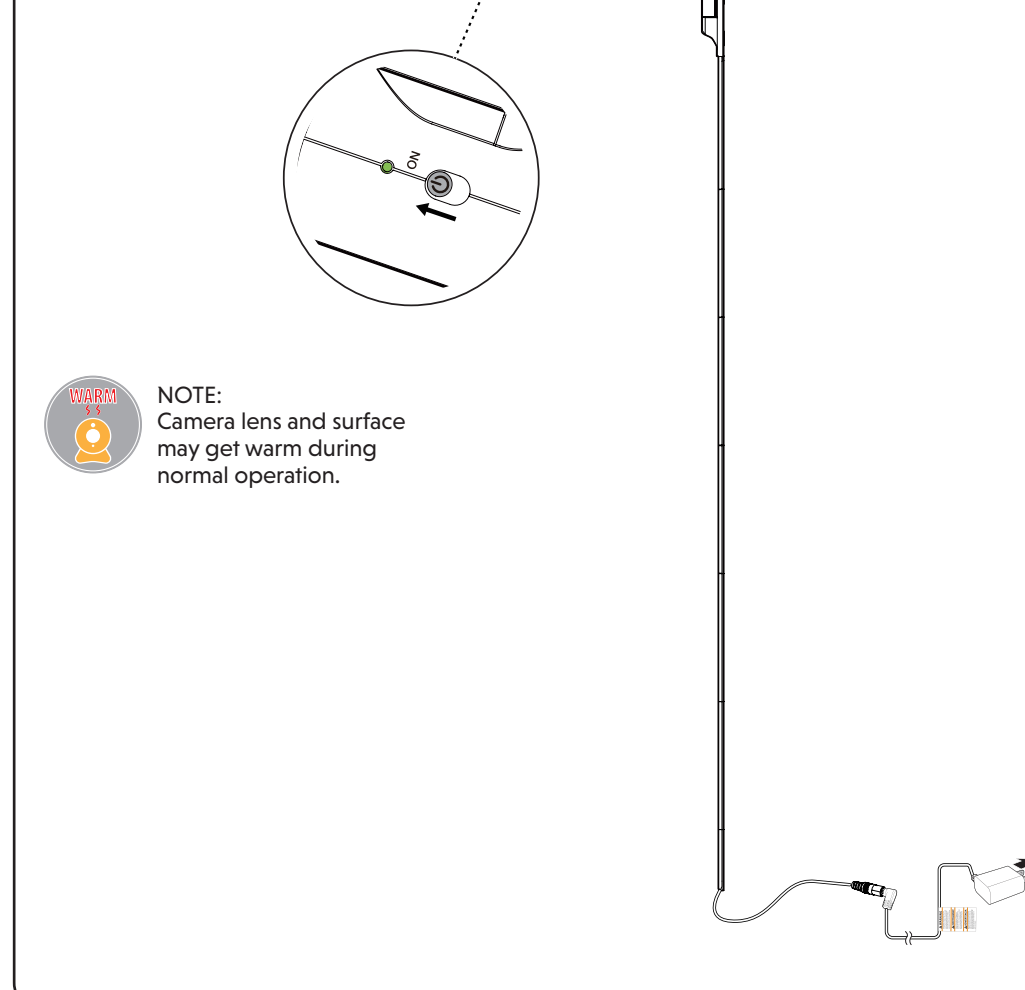
INSTALL AND POWER ON THE BABY UNIT

Install the Baby Unit onto the First extension, and connect the adapter to the end of the cable and the power supply to power up the Baby Unit.

Slide the switch to **ON** to power your Baby Unit on.

NOTES

- When powering up, the Baby Unit's status LED turns on. It will turn off after a while and remains off.
- The status LED is set to off by default.



NOTE: Camera lens and surface may get warm during normal operation.

PARENT UNIT ICONS

Main Menu	Options	Status icons
Night light	<ul style="list-style-type: none"> Turn on or turn off night light. Select a night light color. Adjust night light brightness. Set a night light timer. 	<ul style="list-style-type: none"> Direct mode <ul style="list-style-type: none"> The parent unit and baby unit connect to each other directly. Red bars indicate no connection. Router mode <ul style="list-style-type: none"> The parent unit and baby unit connect via the home Wi-Fi network. The red icon(s) on the baby unit or parent unit, indicates no connection between the respective unit(s) and the router. Night vision is turned on. Motion detection alert is turned on. Sound detection alert is turned on. Melodies and soothing sounds are playing. Night light is turned on. Auto night light brightness is activated. Temperature alert is turned on. Parent unit is muted.
Melodies and soothing sounds	<ul style="list-style-type: none"> Select play all melodies, or play one of the five melodies and five soothing sounds. You can also set the timer to stop playing after 15, 30 or 60 minutes, or playing non-stop. 	<ul style="list-style-type: none"> Humidity is lower than 30%. Humidity is within 30-60%. Humidity is higher than 60%. Temperature is lower than 68°F. Temperature is within 68°F and 75°F. Temperature is higher than 75°F. Battery level indicator.
Alerts - Sound, motion and temperature	<ul style="list-style-type: none"> Select the sound and motion sensitivity level. Turn on/off sound and motion detection alerts. Select maximum and minimum temperature for alert range. Turn on/off temperature alert. 	
Parent unit settings	<ul style="list-style-type: none"> Adjust parent unit screen brightness. Adjust Low Battery Alert Tone. Adjust No Link Alert Tone. Turn on/off Dim mode. 	
Baby unit settings	<ul style="list-style-type: none"> Turn on/off Night Vision. Turn on/off baby unit Status LED. Adjust baby unit speaker volume. 	
General settings	<ul style="list-style-type: none"> Connect to home Wi-Fi network. Connect mobile phone. Reset Settings to factory default. Software Update. 	

All rights reserved. 12/22. RM5887HD_US_O5G_V1

VTech Telecommunications, Inc. and its suppliers assume no responsibility for any damage or loss resulting from the use of this user's manual. VTech Telecommunications, Inc. and its suppliers assume no responsibility for any loss or claims by third parties that may arise through the use of this product.

Company: VTech Telecommunications, Inc.
Address: 9020 SW Washington Square Road - Ste 555 Tigard, OR 97223, United States
Phone: 1 (800) 595-9511 in the U.S. or 1 (800) 267-7377 in Canada

Parent unit battery: 3.7V 5000mAh, 18.5Wh Lithium-ion battery
Parent unit power adapter: Output: 5V DC, 2A
Baby unit power adapter: Output: 5V DC, 1.5A

Power requirement

Normal effective range

Maximum power allowed by FCC and IC. Actual operating range may vary according to environmental conditions at time of use.

5" Color LCD (195 1280x720 pixels)

Channels

11

Transmit frequency

Baby unit: 2412 - 2462 MHz

Parent unit: 2412 - 2462 MHz

Channels

11

Transmit frequency

Baby unit: 2412 - 2462 MHz

Parent unit: 2412 - 2462 MHz

Channels

11

Transmit frequency

Baby unit: 2412 - 2462 MHz

Parent unit: 2412 - 2462 MHz

Channels

11

Transmit frequency

Baby unit: 2412 - 2462 MHz

Parent unit: 2412 - 2462 MHz

Channels

11

Transmit frequency

Baby unit: 2412 - 2462 MHz

Parent unit: 2412 - 2462 MHz

Channels

11

Transmit frequency

Baby unit: 2412 - 2462 MHz

Parent unit: 2412 - 2462 MHz

Channels

11

Transmit frequency

Baby unit: 2412 - 2462 MHz

Parent unit: 2412 - 2462 MHz

Channels

11

Transmit frequency

Baby unit: 2412 - 2462 MHz

Parent unit: 2412 - 2462 MHz

TECHNICAL SPECIFICATIONS

DISCLAIMER AND LIMITATION OF LIABILITY

