

Model: IC3121 HS ANT0

Antenna description:

This Sleeve Dipole Antenna is optimized and used in the Handset unit. This antenna is directly soldered to the ANT0 RF output in the main PCB.

Model Number	Description
IC3121 HS ANT0	1.9GHZ Sleeve Dipole Antenna

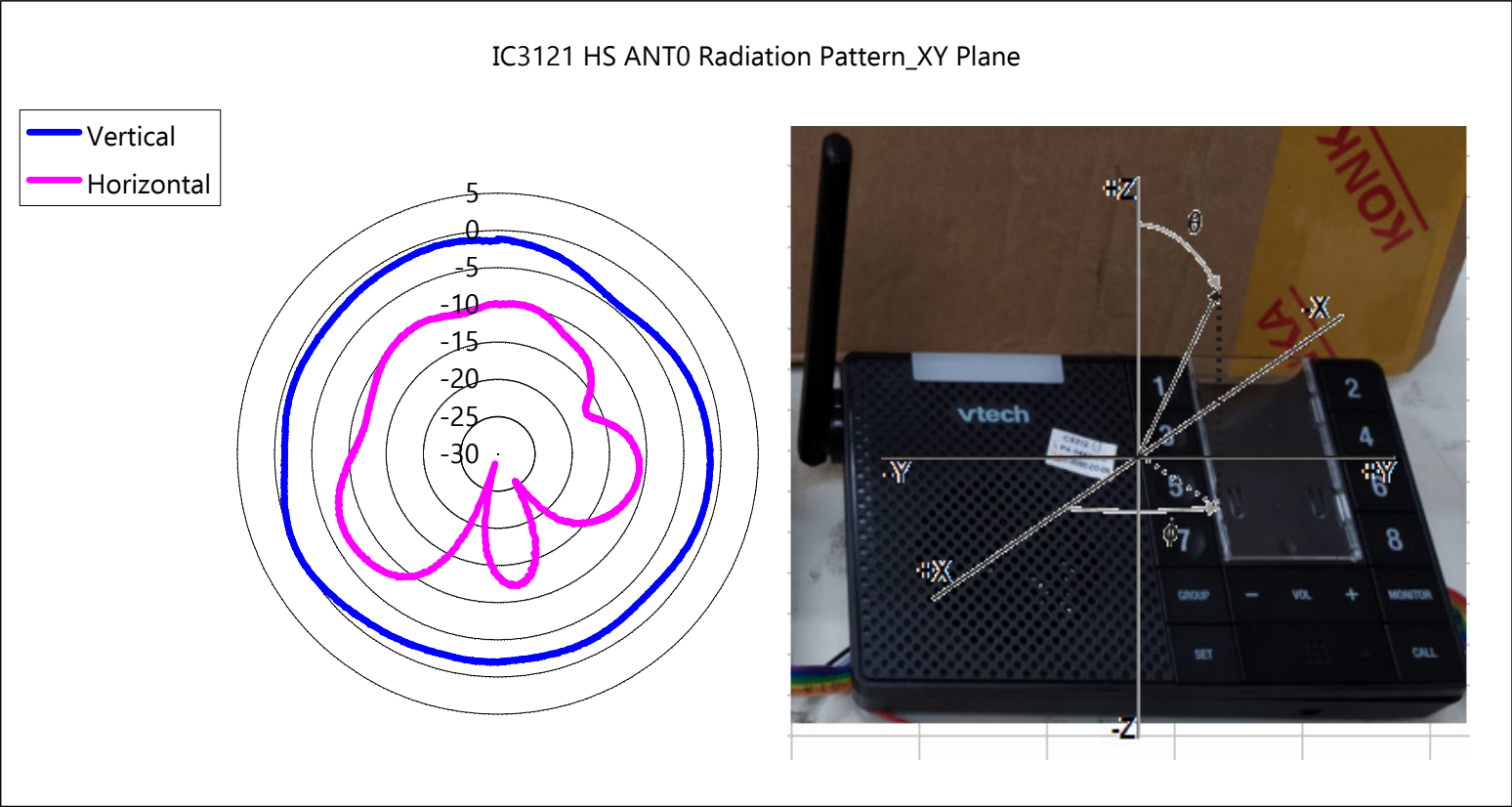
Specification:

Operation Frequency Range	1921.536 to 1928.448 MHZ
Maximum Gain	0 dBi
Type	Sleeve Dipole Antenna
Operation bandwidth	70MHz
Nominal Impedance	~50 ohms
Manufacturer	Vtech Telecommunications Ltd
Manufacturer address	23/F, Tai Ping Industrial Centre, Blk1, 57 Ting Kok Road, Tai Po, Hong Kong
Model number	ANT-IC3121-P-DE-0

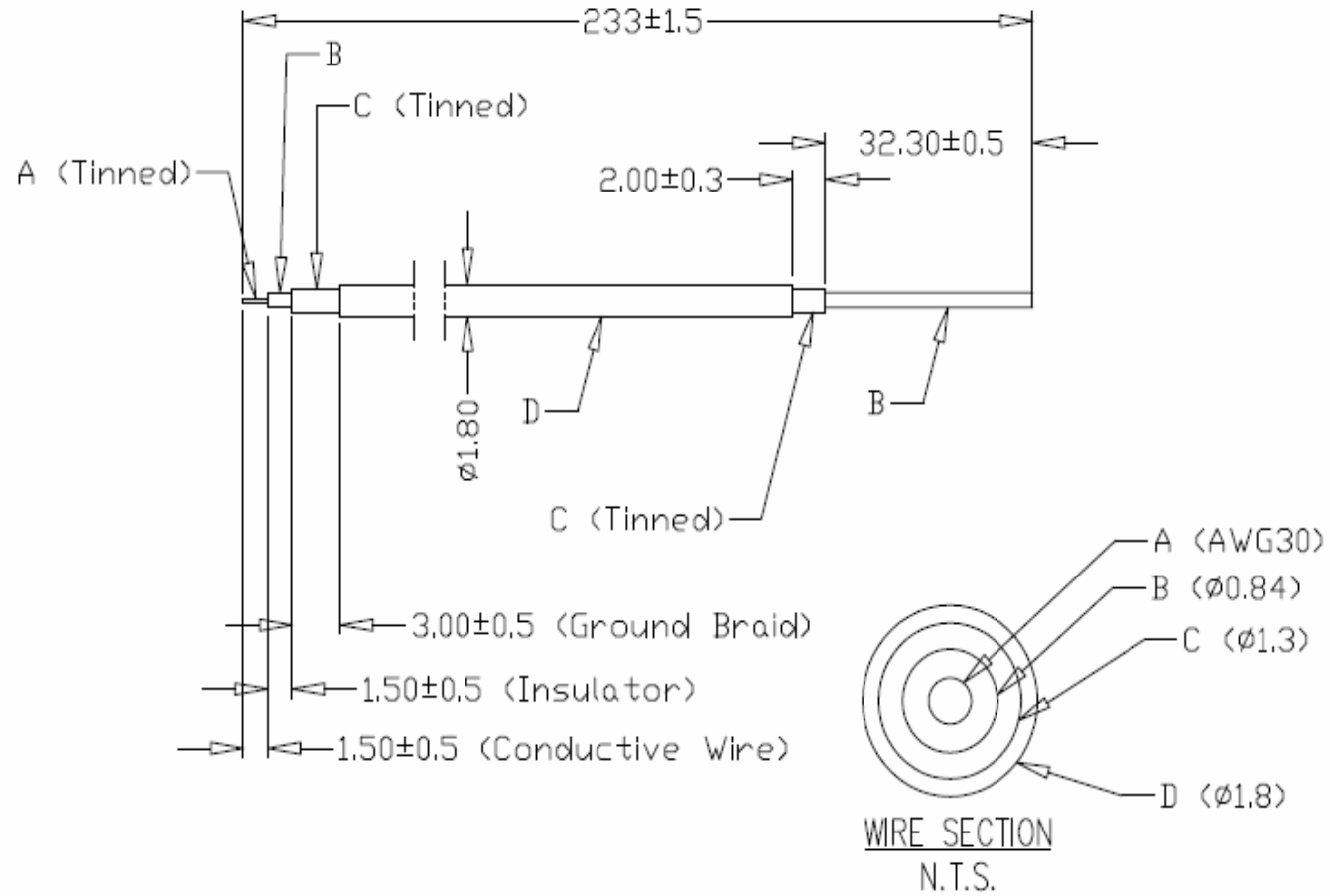
***NOTE: Frequency and Orientation with maximum Antenna Gain.**

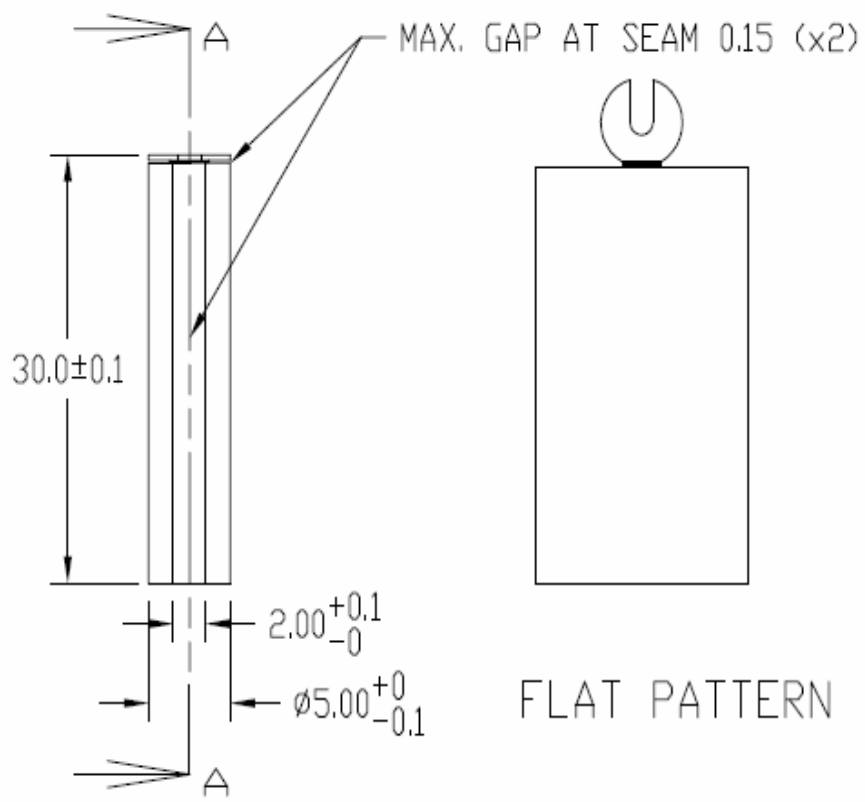
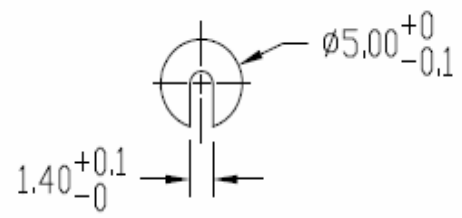
Frequency: 1924.992 MHZ

	Vertical	Horizontal
Antenna Gain (dBi)	0.00	-6.91



IC3121 HS ANT0 Dimensions in mm





Model: IC3121 HS ANT_1

Antenna description:

This monopole antenna is optimized and used in the Handset unit. This antenna is directly soldered to the ANT_1 RF output in the main PCB.

Model Number	Description
IC3121 HS ANT_1	1.9GHZ Monopole Antenna

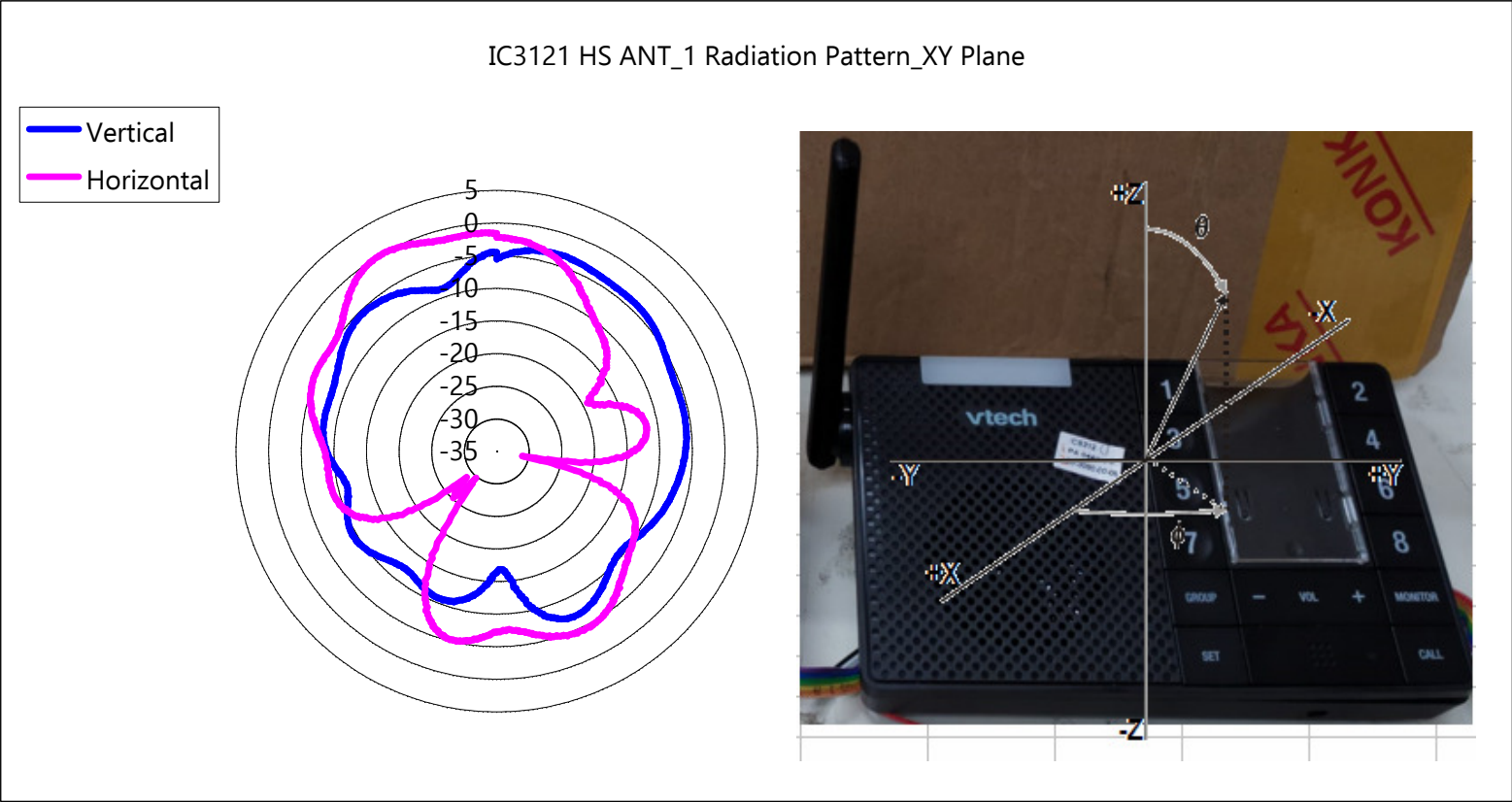
Specification:

Operation Frequency Range	1921.536 to 1928.448 MHZ
Maximum Gain	0 dBi
Type	Monopole
Operation bandwidth	70MHz
Nominal Impedance	~50 ohms
Manufacturer	Vtech Telecommunications Ltd
Manufacturer address	23/F, Tai Ping Industrial Centre, Blk1, 57 Ting Kok Road, Tai Po, Hong Kong
Model number	ANT-IC3121-P-DE-1

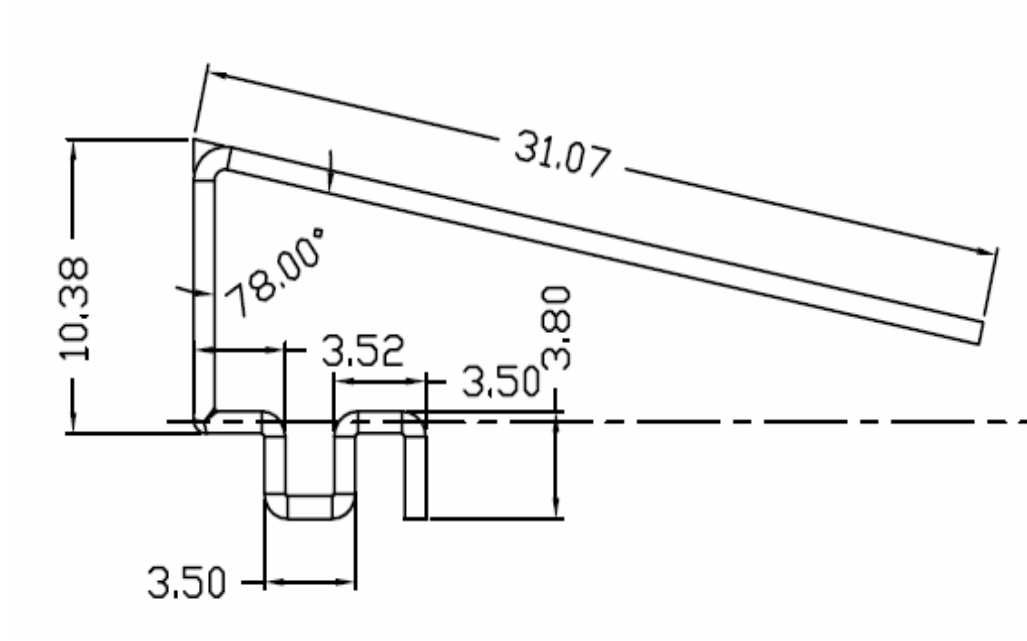
***NOTE: Frequency and Orientation with maximum Antenna Gain.**

Frequency: 1924.992 MHZ

	Vertical	Horizontal
Antenna Gain (dBi)	-3.30	0.00



IC3121 HS ANT_1 Dimensions in mm:



Model: IC3121 BS ANT0

Antenna description:

This Sleeve Dipole Antenna is optimized and used in the Base unit. This antenna is directly soldered to the ANT0 RF output in the main PCB.

Model Number	Description
IC3121 Base ANT0	1.9GHZ Sleeve Dipole Antenna

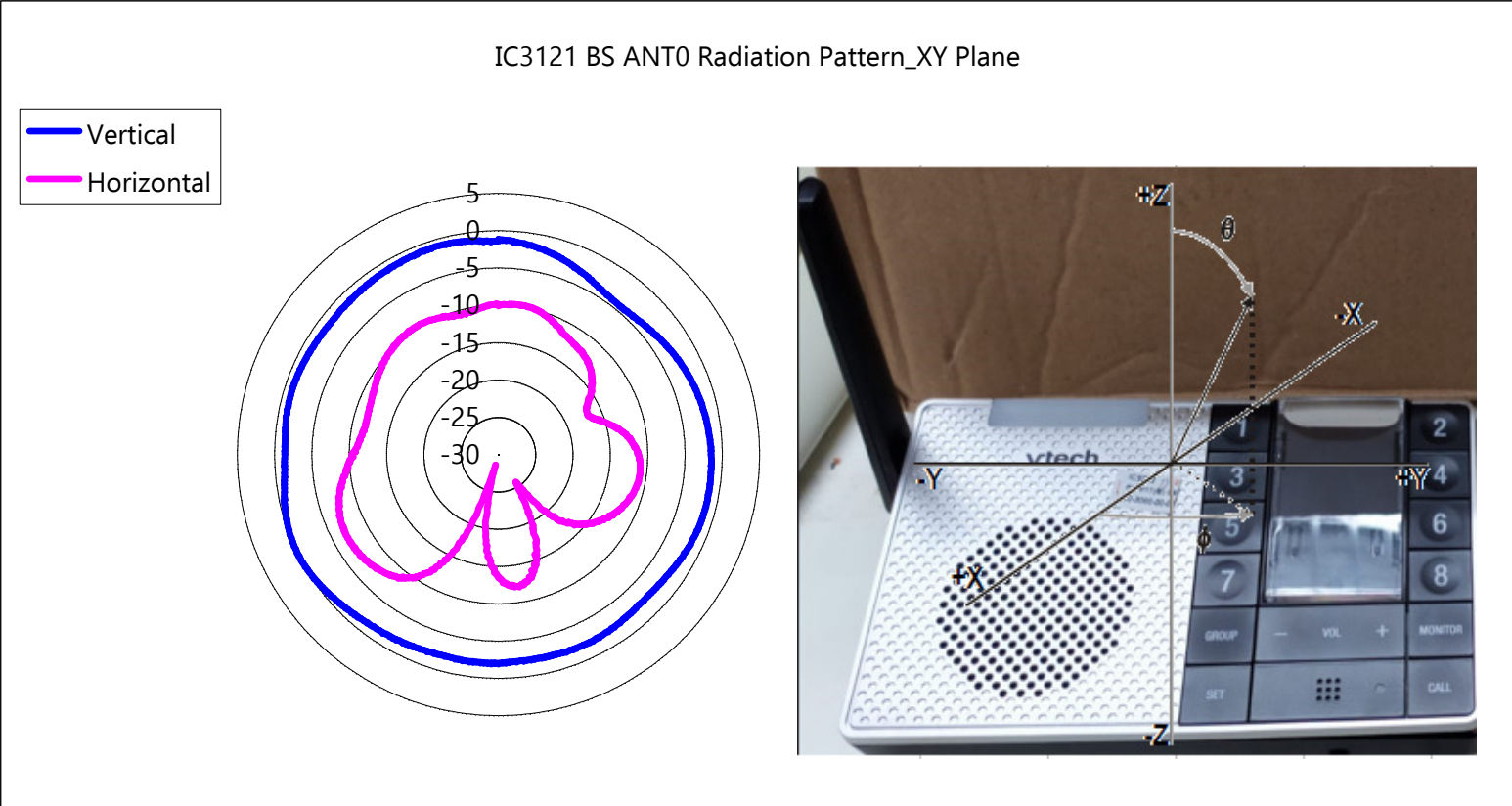
Specification:

Operation Frequency Range	1921.536 to 1928.448 MHZ
Maximum Gain	0 dBi
Type	Sleeve Dipole Antenna
Operation bandwidth	70MHz
Nominal Impedance	~50 ohms
Manufacturer	Vtech Telecommunications Ltd
Manufacturer address	23/F, Tai Ping Industrial Centre, Blk1, 57 Ting Kok Road, Tai Po, Hong Kong
Model number	ANT-IC3121-F-DE-0

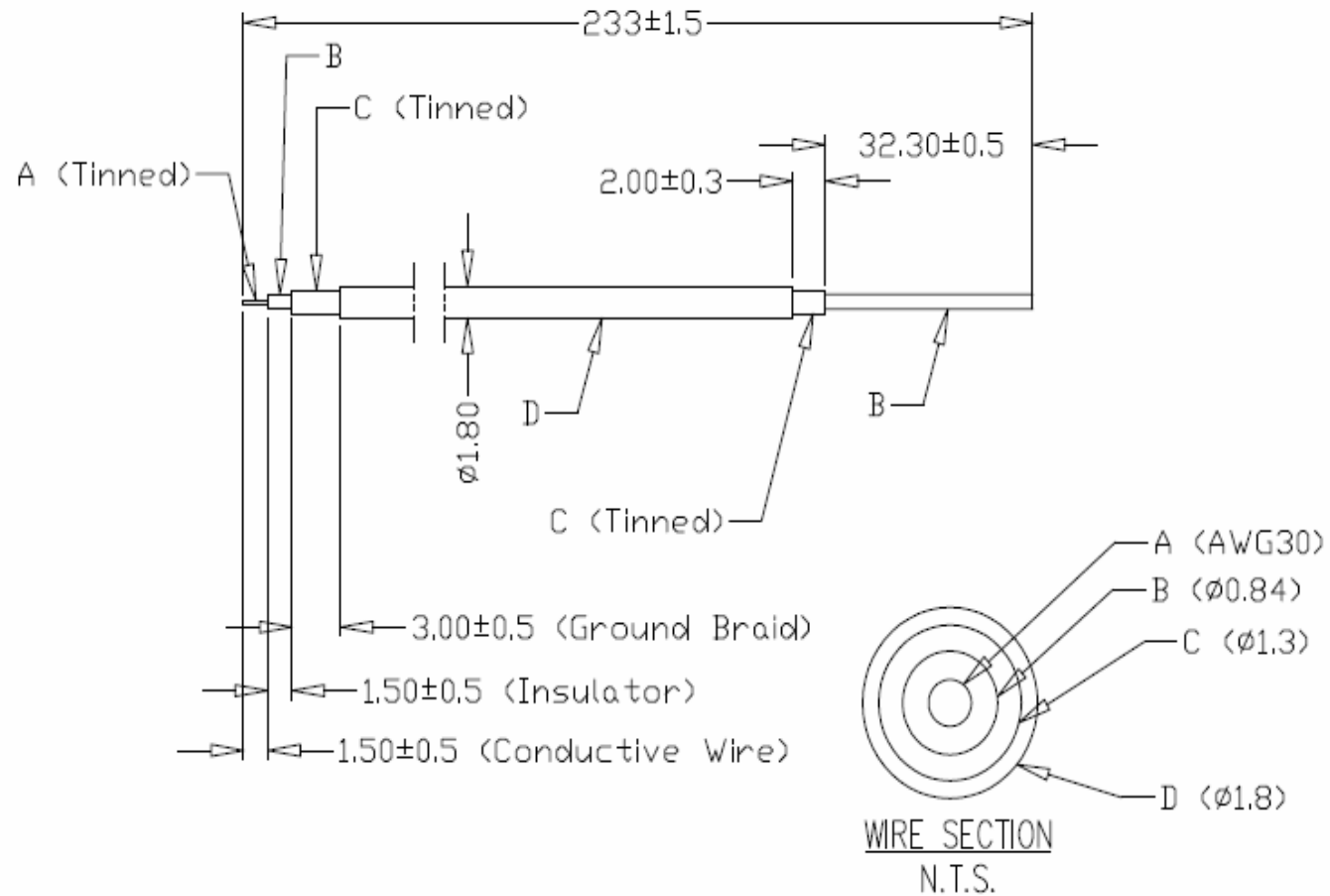
***NOTE: Frequency and Orientation with maximum Antenna Gain.**

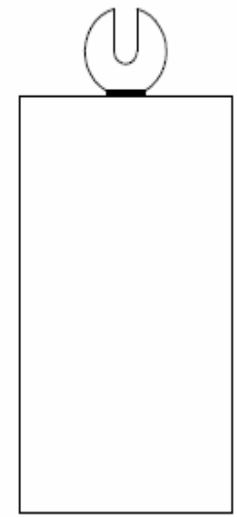
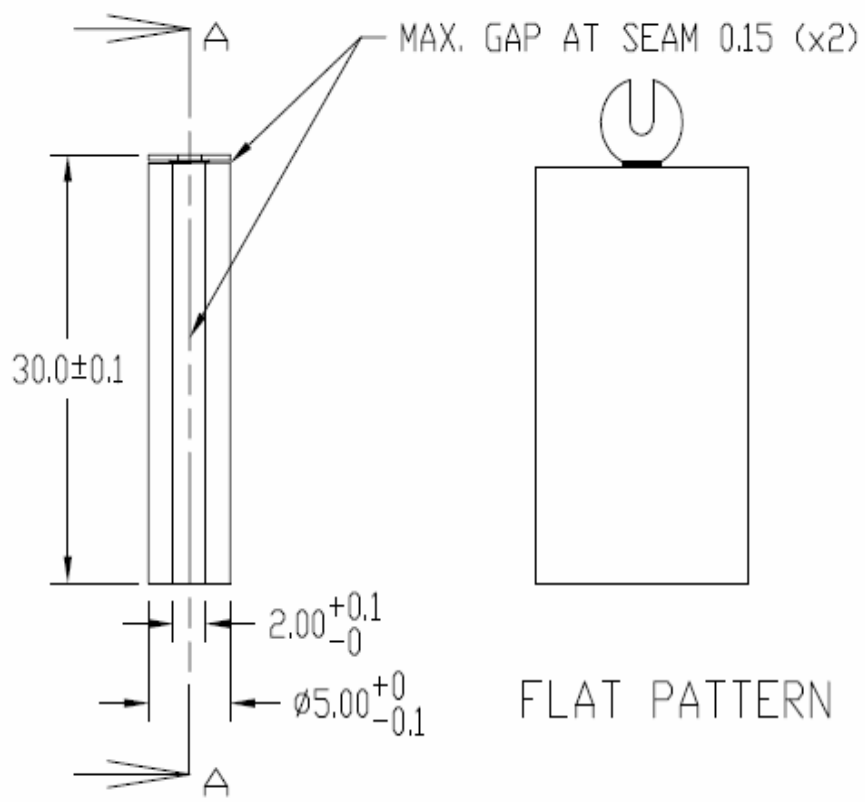
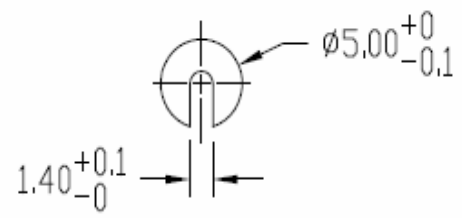
Frequency: 1924.992 MHZ

	Vertical	Horizontal
Antenna Gain (dBi)	0.00	-6.91



IC3121 BS ANT0 Dimensions in mm





FLAT PATTERN

Model: IC3121 BS ANT_1

Antenna description:

This monopole antenna is optimized and used in the Base unit. This antenna is directly soldered to the ANT_1 RF output in the main PCB.

Model Number	Description
IC3121 Base ANT_1	1.9GHZ Monopole Antenna

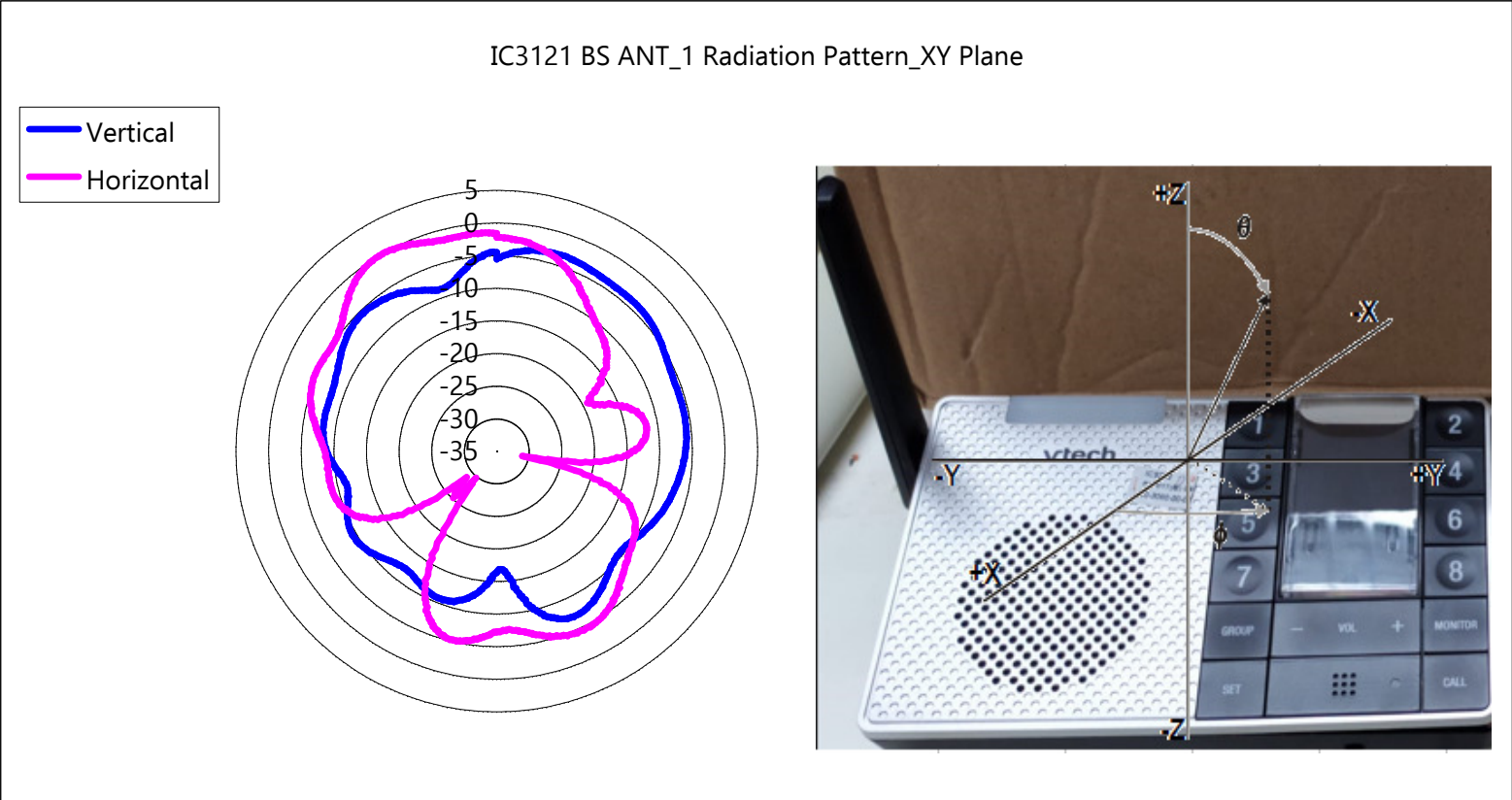
Specification:

Operation Frequency Range	1921.536 to 1928.448 MHZ
Maximum Gain	0 dBi
Type	Monopole
Operation bandwidth	70MHz
Nominal Impedance	~50 ohms
Manufacturer	Vtech Telecommunications Ltd
Manufacturer address	23/F, Tai Ping Industrial Centre, Blk1, 57 Ting Kok Road, Tai Po, Hong Kong
Model number	ANT-IC3121-F-DE-1

***NOTE: Frequency and Orientation with maximum Antenna Gain.**

Frequency: 1924.992 MHZ

	Vertical	Horizontal
Antenna Gain (dBi)	-3.30	0.00



IC3121 BS ANT_1 Dimensions in mm:

