

Go to [www.vtechphones.com](http://www.vtechphones.com) to register your product for enhanced warranty support and latest VTech product news.

VC2105  
5" Smart Nursery  
Over-the-Crib Mount Monitor



For more support information

**vtech**  
Quick start guide



VC2105

### Congratulations

on purchasing your new VTech product.  
Before using this baby monitor, please read the **Important safety instructions**.  
For support, shopping, and everything new at VTech, visit our website at [www.vtechphones.com](http://www.vtechphones.com). In Canada, visit [www.vtechcanada.com](http://www.vtechcanada.com).

### What does HD Video Monitor do?

VTech 5" Smart Nursery Over-the-Crib Mount Monitor allows you to stay close to your baby when you are on the move or away. This monitor is Wi-Fi enabled, using your home wireless network to stream live video and audio through the 1080p baby unit and 5-inch color screen parent unit. It allows you to maintain a constant connection to your baby.

You can also monitor from your smartphone or mobile tablet.  
VTech 5" Smart Wi-Fi 1080p Video Monitor uses **MyVTech Baby Plus** app to let you instantly see and hear what's happening with your baby from anywhere in the world. The app can be downloaded from the App Store or the Google Play™ Store.

## IMPORTANT SAFETY INSTRUCTIONS

The applied nameplate is located at the bottom of the baby unit's base. When using your equipment, basic safety precautions should always be followed to reduce the risk of fire, electric shock and injury, including the following:

- Follow all warnings and instructions marked on the product.
- Adult setup is required.
- CAUTION:** Do not install the baby unit at a height above 6.5 feet (2 meters).
- This product is intended as an aid. It is not a substitute for responsible and proper adult supervision and should not be used as such.
- This product is not intended for use as a medical monitor.
- Do not use this product near water, for example, near to a bath, sink, swimming pool or shower.
- CAUTION:** Use only the battery provided. There may be a risk of explosion if a wrong type of battery is used for the parent unit. The battery cannot be subjected to high or low extreme temperature and low air pressure at high altitude during use, storage or transportation. Disposal of battery in fire or a hot oven, mechanically crushing or cutting the battery can result in an explosion. Leaving the battery in an extremely high temperature surrounding environment can result in an explosion or the leakage of flammable liquid or gas. Battery subjected to extremely low air pressure may result in an explosion or the leakage of flammable liquid or gas. Dispose of used battery according to the information in **The RBRC seal**.

8. Use only the power adapters included with this product. Incorrect power adapter polarity or voltage can seriously damage the product.

**Power adapter information:**  
Baby Unit Output: 5V DC 1.5A  
VTech Telecommunications Ltd.  
Model: V707EUS05150  
Parent Unit Output: 5V DC 2A  
VTech Telecommunications Ltd.  
Model: V707EUS05200

**Rechargeable battery information:**  
3.7V 5000mAh, 18.5Wh Lithium-ion battery  
Zhuhai Great Power Energy Co., Ltd.  
Model: GSP0690-3Ah-3.7V-Li-IP

- The power adapter is intended to be correctly oriented in a vertical or floor mount position. The prongs are not designed to hold the plug in place if it is plugged into a ceiling, under-the-table or cabinet outlet.
- For pluggable equipment, the socket-outlet (power adapter) should be installed near the equipment and should be easily accessible.
- Unplug this product from the wall outlet before cleaning. Do not use liquid or aerosol cleaners. Use a damp cloth for cleaning.
- Do not modify the power adapters or replace with other adapters, as this causes a hazardous situation.
- Do not allow anything to rest on the power cords. Do not install this product where the cords may be walked on or crimped.
- This product should be operated only from the type of power source indicated on the marking label. If you are not sure of the type of power supply in your home, consult your dealer or electricity supply provider.
- Do not overheat wall outlets or use an extension cord.
- Do not place this product on an unstable table, shelf, stand or other unstable surfaces.
- This product should not be placed in any area where proper ventilation is not provided. Slots and openings in the back or bottom of this product are provided for ventilation. To protect them from overheating, these openings must not be blocked by placing the product on a soft surface such as a bed, sofa or rug. This product should never be placed near or over a radiator or heat source.
- Never push objects of any kind into this product through the slots because they may touch dangerous voltage points or create a short circuit. Never spill liquid of any kind on the product.

### SAVE THESE INSTRUCTIONS

- Use and store the product at a temperature between 32°F (0°C) and 104°F (40°C).
- Mishandling batteries can cause burn, fire or explosion hazards.
- Batteries should not be exposed to excessive heat such as bright sunshine or fire.
- Do not expose the product to extreme cold, heat or direct sunlight. Do not put the product close to a heating source.

- Warning—Strangulation Hazard—Children** have STRANGLING cords. Keep this cord out of the reach of children (more than 3 ft (0.9m) away). Do not remove warning label on the adapter cord.
- Never place the camera unit(s) inside the baby's crib or playpen. Never cover the camera unit(s) or parent unit with anything such as a towel or a blanket.
- Other electronic products may cause interference with your camera unit. Try installing your camera unit as far away from these electronic devices as possible: wireless routers, radios, cellular telephones, intercoms, room monitors, televisions, personal computers, kitchen appliances and cordless telephones.

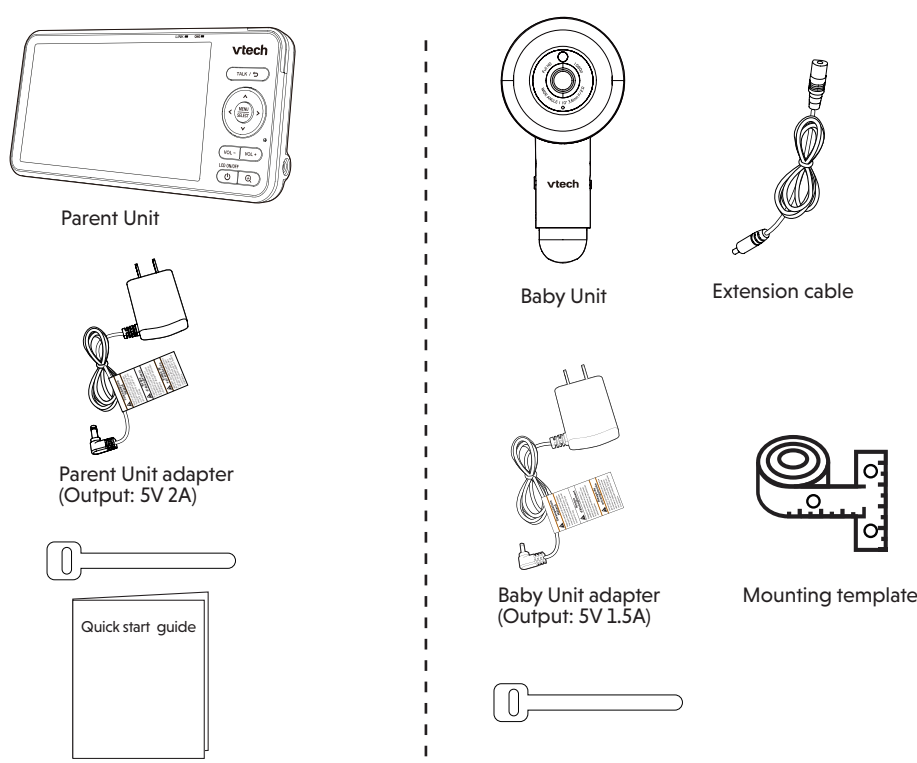
**Precautions for users of implanted cardiac pacemakers**  
Cardiac pacemakers (applies only to digital cordless devices): Wireless Technology Research, LLC (WTR), an independent research entity, led a multidisciplinary evaluation of the interference between portable wireless devices and implanted cardiac pacemakers. Supported by the U.S. Food and Drug Administration, WTR recommends to physicians that:

- Pacemaker patients**
  - Should keep wireless devices at least six inches from the pacemaker.
  - Should NOT place wireless devices directly over the pacemaker, such as in a breast pocket when it is turned ON. WTR's evaluation did not identify any risk to bystanders with pacemakers from other persons using wireless devices.

**Electromagnetic fields (EMF)**  
This VTech product complies with all standards regarding electromagnetic fields (EMF). If handled properly and according to the instructions in this user's manual, the product is safe to be used based on scientific evidence available today.

## WHAT'S IN THE BOX

Your baby monitor package contains the following items. Save your sales receipts and original packaging in the event warranty service is necessary.



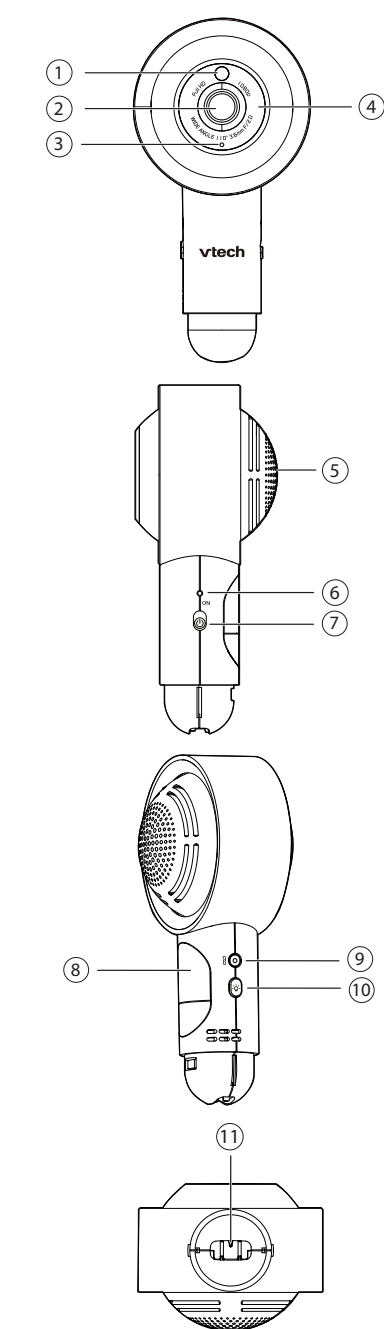
### Requirements

#### For mobile access:

MyVTech Baby Plus mobile app	
Network	Wi-Fi
Wi-Fi router	2.4GHz 802.11 b/g/n
Internet connection	1.5 Mbps @ 720p or 2.5 Mbps @ 1080p upload bandwidth per baby unit

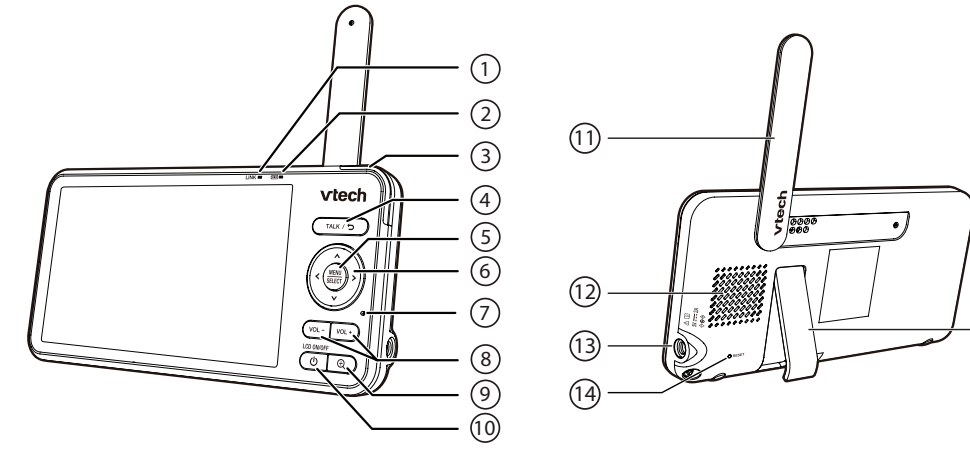
## OVERVIEW

### Baby unit overview



- Light sensor**
- Camera lens**
- Microphone**
- Infrared LEDs**
  - Allow you to see clearly in a dark environment.
- Speaker**
- LED indicator**
  - Steadily on, then off, when the Baby Unit is connected to the Parent Unit.
- ON/OFF switch**
  - Power it on or off.
- Night light**
- Link**
  - Reserve for pairing the Parent Unit.
- Night light switch**
  - Press to turn the night light on or off.
- Power connector**

### Parent unit overview



- LINK LED light**
  - On when the parent unit is linked to the baby unit.
  - Flashes when the link to the baby unit has lost.
- LED light**
  - On when the parent unit is connected to AC power, and the battery is charging.
  - Flashes when the parent unit battery is low and needs to be charged.
- 3-level sound indicator light**
  - Green: low sound level is detected by the baby unit.
  - Green and amber: moderate sound level is detected by the baby unit.
  - Green, amber and red: high sound level is detected by the baby unit.
- TALK /**
  - Press and hold to talk to the baby unit.
  - While in a sub-menu, press to return to the previous menu.
- MENU | SELECT**
  - Press to enter the main menu.
  - While in a menu, press to choose an item, or save a setting.
- Arrow keys**
  - Press to navigate left, right, up and down within the main and sub-menus.
  - While viewing a zoomed image, press to move the viewed image left, right, up and down.
- Microphone**
- VOL - | VOL +**
  - Increase or decrease parent unit volume.
- Zoom**
  - Press to zoom in/out.
  - While in a sub-menu, press to view the help menu.
- Power | LCD ON/OFF**
- Antenna**
- Speaker**
- Power jack**
- RESET**
  - Force reboot the parent unit.
- Stand**

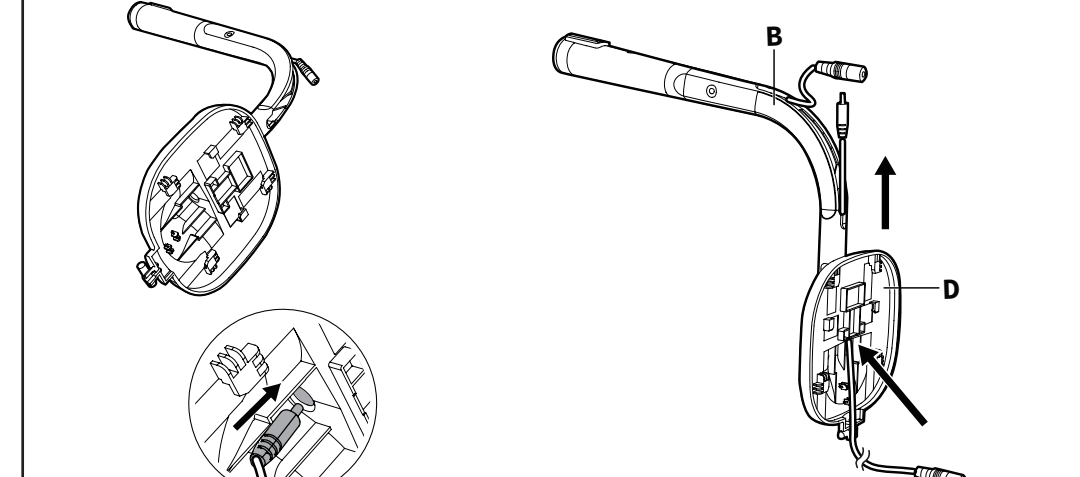
## MOUNT THE BABY UNIT

### Cautions:

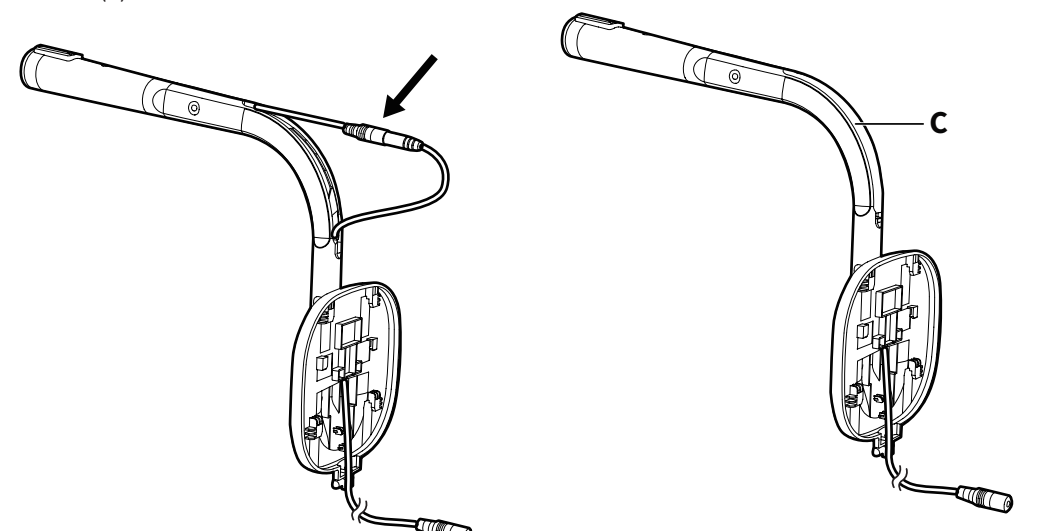
- Wall mount should be 1m above the bed sheet level or baby, and 1.7m above the floor. You can use the mounting template (A paper ruler) for measurement.
- Wall mount should install on the long side of the bed.

### Install the wall mount

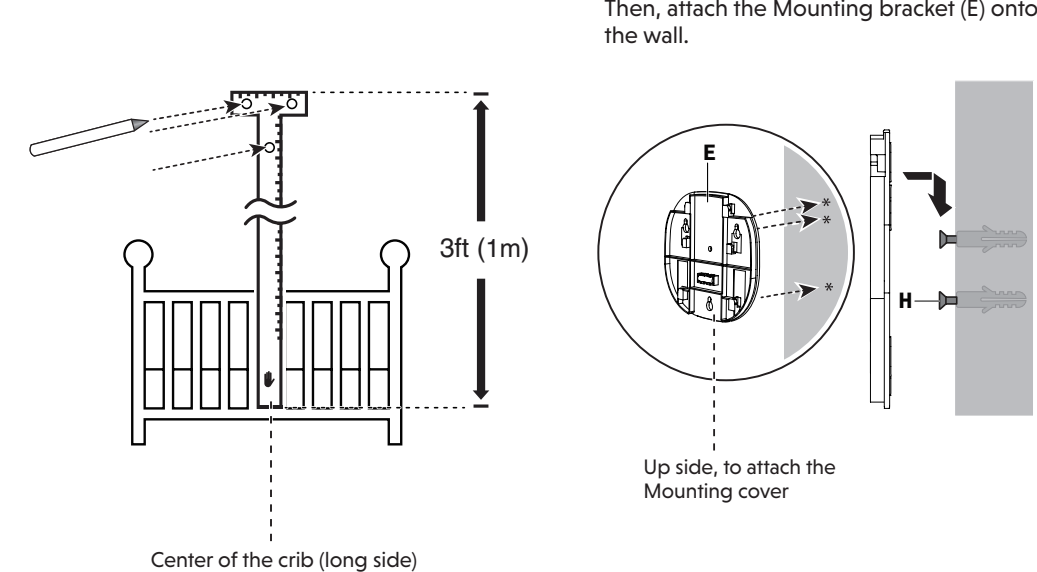
- Insert the First extension (A) onto the Second extension (B), aligning the slot in between. Make sure the DC socket is out on opening of the Second extension and ready for connection.
- Insert the Second extension (B) onto the Mounting cover (D).
- Let the cable jack of the Extension cable pass through from the back of the Mounting cover (D), to the opening of the Second extension (B).



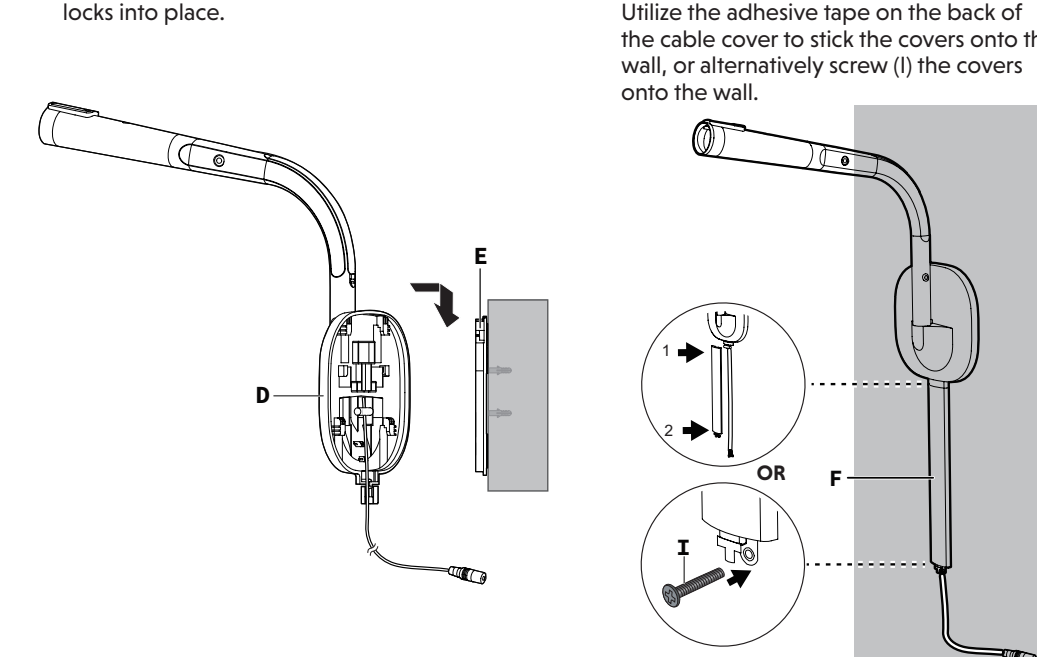
- Connect the cable jack with the DC socket, then secure the cable with the Extension cover (C).



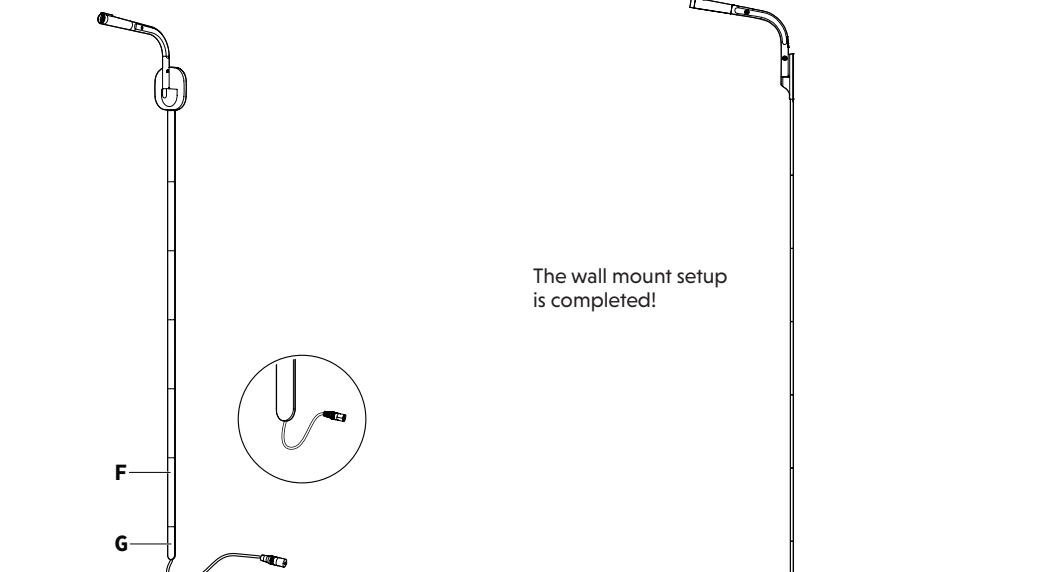
- Use Mounting template to measure the location of the wall mount, and to mark the 3 holes for the screws. Then, drill three holes on the wall (7/32 inch drill bit).
- Insert 3 plastic screw anchors (H) into the pre-drilled holes, then insert the screws (I) into the wall anchors. Tighten the screws until only 1/4 inch of the screws are exposed. Then, attach the Mounting bracket (E) onto the wall.



- Place the Mounting cover (D) on the Mounting bracket (E), and then slide it downward until it locks into place.
- Install the Cable covers (F) to prevent baby from touching the cable. Utilize the adhesive tape on the back of the cable cover to stick the covers onto the wall, or alternatively screw (I) the covers onto the wall.



- Install the End cable cover (G to F) at last.



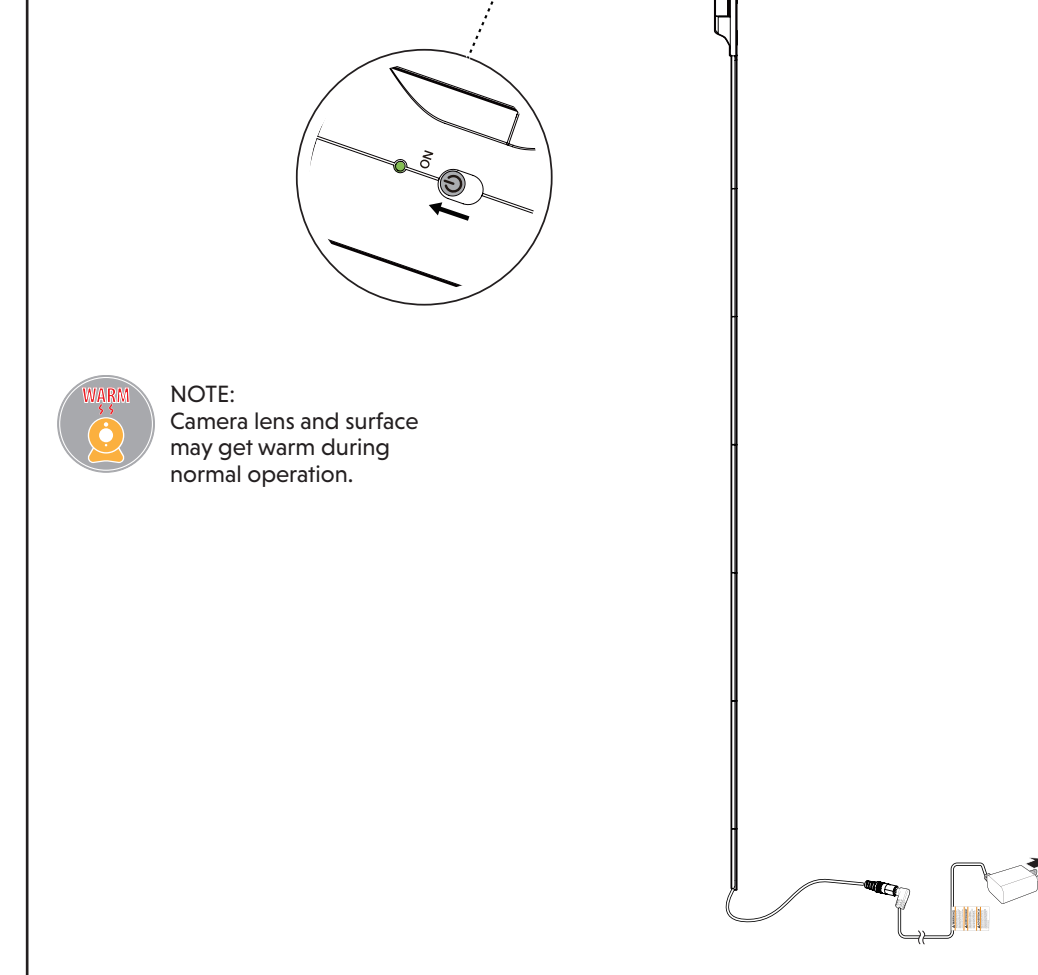
## INSTALL AND POWER ON THE BABY UNIT

Install the Baby Unit onto the First extension, and connect the adapter to the end of the cable and the power supply to power up the Baby Unit.

Slide the switch to **ON** to power your Baby Unit on.

### NOTES

- When powering up, the Baby Unit's status LED turns on. It will turn off after a while and remains off.
- The status LED is set to off by default.



## DOWNLOAD APP FOR MOBILE ACCESS

- Download the free **MyVTech Baby Plus** mobile app and install it to a mobile device, then use your mobile device and the mobile app to monitor your baby remotely.
  - Press **MENU/SELECT** when the parent unit is idle.
  - Go to **Settings** > **Connect Mobile Phone**.
  - Scan the QR code in the parent unit to download the app into your mobile device if you have not installed the app yet.
  - Follow the instructions in the mobile app to set up and pair your baby unit to the mobile app.

Alternatively, you can download the mobile app from the App Store or Google Play store.

### Install MyVTech Baby Plus mobile app

- Browse the App Store or the Google Play store.
- Search for the mobile app with the keyword "myvtech baby plus".
- Download and install the **MyVTech Baby Plus** mobile app to your mobile device.

OR  
Scan the QR codes on the right to get the app.

**NOTE**  
Make sure your mobile device meets the minimum requirement for the mobile app.

**Minimum requirement**  
The mobile app is compatible with:  
• Android™ 6.0 or later; and  
• iOS 12 or later.

- After installing the mobile app, follow the instructions in the mobile app and parent unit to set up and pair your baby unit.

### In your mobile device:

- Tap **+** to run the mobile app in your mobile device, and then create a user account.
- We recommend that you use common webmail services, such as Google Gmail for registration of your user account. Check your email (and Spam folder), and activate your new camera account via the email link, then sign in to your account.
- Follow the instructions in the mobile app to pair the camera. Tap **≡**, then **Add Camera** in the mobile app to get started.

Specifications are subject to change without notice.  
© 2023 VTech Communications, Inc.  
All rights reserved. 02/23\_VC2105\_US\_05G\_V1



VTech is a trademark or registered trademark of VTech in the U.S. and other countries and is used under license.  
App Store is a trademark of Apple Inc., registered in the U.S. and other countries.  
Android™ and Google Play™ are trademarks of Google Inc.

Parent unit battery: 3.7V 5000mAh, 18.5Wh Lithium-ion battery  
Parent unit power adapter: Output: 5V DC, 2A  
Baby unit power adapter: Output: 5V DC, 1.5A

Maximum power allowed by FCC and IC: Actual operating range may vary according to environmental conditions at time of use.  
VTech Communications, Inc. and its suppliers assume no responsibility for any loss or claims by third parties that may arise through the use of this product.  
Company: VTech Communications, Inc.  
Address: 9020 SW Washington Square Road - Ste 555 Tigard, OR 97223, United States  
Phone: 1 (800) 595-9511 in the U.S. or 1 (800) 267-7377 in Canada

**DISCLAIMER AND LIMITATION OF LIABILITY**

VTech Communications, Inc. and its suppliers assume no responsibility for any loss or claims by third parties that may arise through the use of this product.  
Company: VTech Communications, Inc.  
Address: 9020 SW Washington Square Road - Ste 555 Tigard, OR 97223, United States  
Phone: 1 (800) 595-9511 in the U.S. or 1 (800) 267-7377 in Canada

Parent unit battery: 3.7V 5000mAh, 18.5Wh Lithium-ion battery  
Parent unit power adapter: Output: 5V DC, 2A  
Baby unit power adapter: Output: 5V DC, 1.5A

Maximum power allowed by FCC and IC: Actual operating range may vary according to environmental conditions at time of use.  
VTech Communications, Inc. and its suppliers assume no responsibility for any loss or claims by third parties that may arise through the use of this product.  
Company: VTech Communications, Inc.  
Address: 9020 SW Washington Square Road - Ste 555 Tigard, OR 97223, United States  
Phone: 1 (800) 595-9511 in the U.S. or 1 (800) 267-7377 in Canada

**TECHNICAL SPECIFICATIONS**

Channels	11
Transmit frequency	Parent unit: 2412 - 2462 MHz Baby unit: 2412 - 2462 MHz
LCD	5" Color LCD (IPS 1280x720 pixels)
Normal effective range	Maximum power allowed by FCC and IC: Actual operating range may vary according to environmental conditions at time of use.
Power requirement	Baby unit power adapter: Output: 5V DC, 1.5A Parent unit power adapter: Output: 5V DC, 2A Parent unit battery: 3.7V 5000mAh, 18.5Wh Lithium-ion battery