

## Model: VG232 Base DECT6.0 Antenna

### Antenna description:

This wire monopole antenna is optimized and used in the Base unit. This antenna is directly soldered to the DECT6.0 RF output in the main PCB.

Model Number	Description
VG232 Base DECT6.0 ANT	1.9GHz monopole antenna

### Specification:

<b>Operation Frequency Range</b>	1921.536 to 1928.448 MHz
<b>Maximum Gain</b>	0 dBi
<b>Type</b>	Monopole
<b>Operation bandwidth</b>	70MHz
<b>Nominal Impedance</b>	~50 ohms
<b>Manufacturer</b>	Vtech Telecommunications Ltd
<b>Manufacturer address</b>	23/F, Tai Ping Industrial Centre, Blk1, 57 Ting Kok Road, Tai Po, Hong Kong
<b>Model number</b>	ANT-VG232-F-DE-0

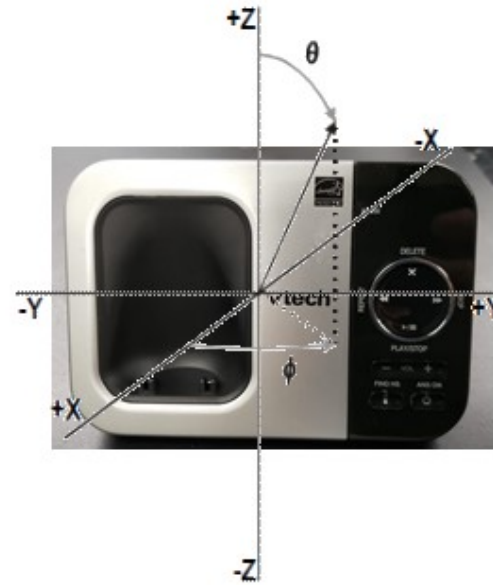
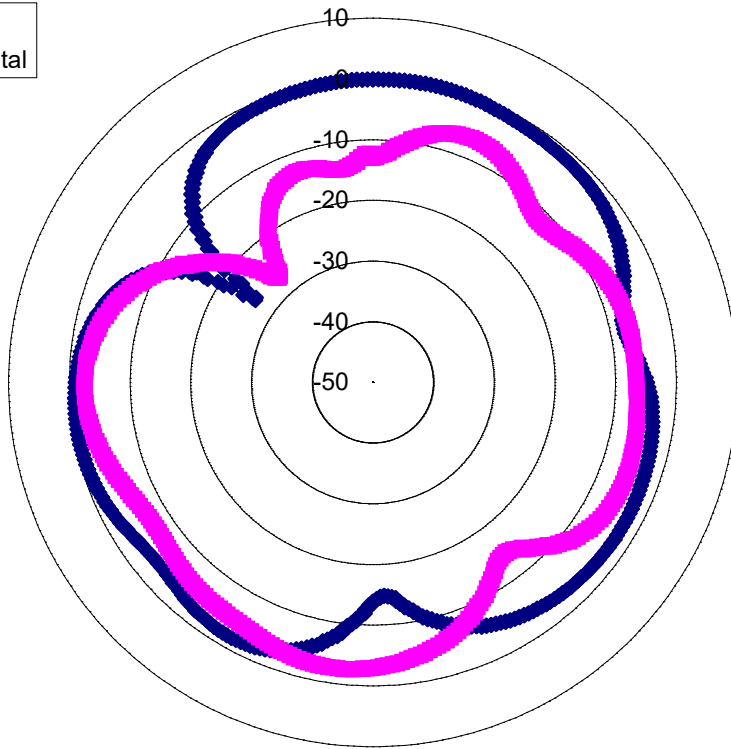
\*NOTE: Frequency and Orientation with maximum Antenna Gain.

Frequency: 1924.992 MHz

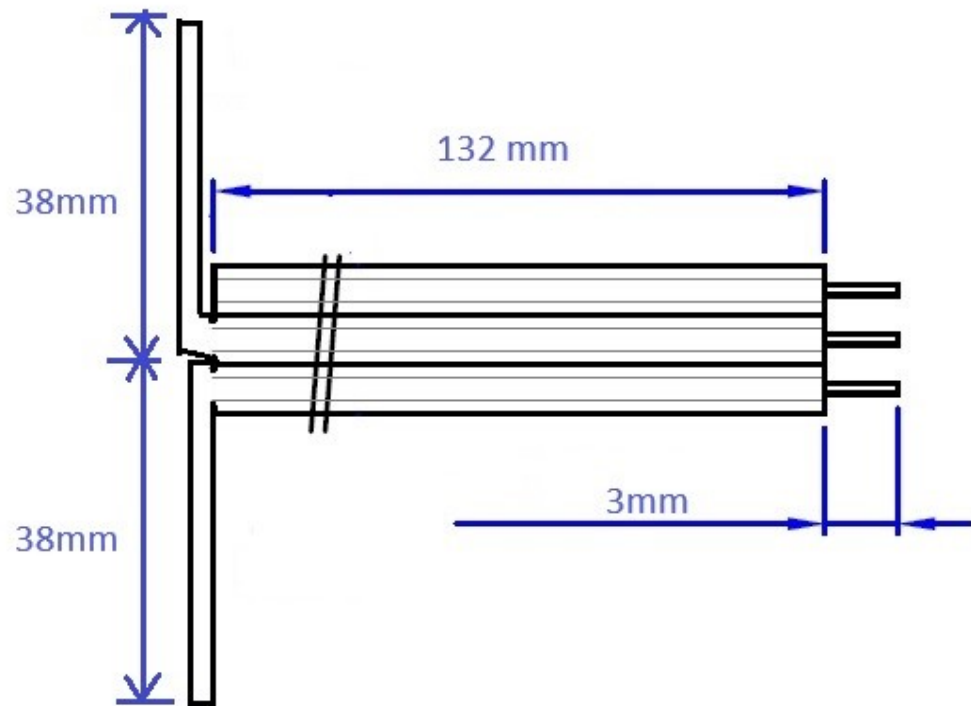
	Vertical	Horizontal
Antenna Gain (dBi)	0.00	-2.48

VG232 BS DECT6.0 Radiation Pattern\_XY Plane

◆ Vertical  
■ Horizontal



VG232 Base DECT 6.0 Antenna Dimensions in mm



## Model: VG232 Base Bluetooth Antenna

### Antenna description:

This printed F antenna is optimized and used in the Base unit. This antenna is directly soldered to the Bluetooth RF output in the main PCB.

Model Number	Description
VG232 Base BT ANT	2.4GHz Printed F Antenna

### Specification:

<b>Operation Frequency Range</b>	2402 to 2480 MHz
<b>Maximum Gain</b>	-1 dBi
<b>Type</b>	Printed F Antenna
<b>Operation bandwidth</b>	90MHz
<b>Nominal Impedance</b>	~50 ohms
<b>Manufacturer</b>	Vtech Telecommunications Ltd
<b>Manufacturer address</b>	23/F, Tai Ping Industrial Centre, Blk1, 57 Ting Kok Road, Tai Po, Hong Kong
<b>Model number</b>	ANT-VG232-F-BT-0

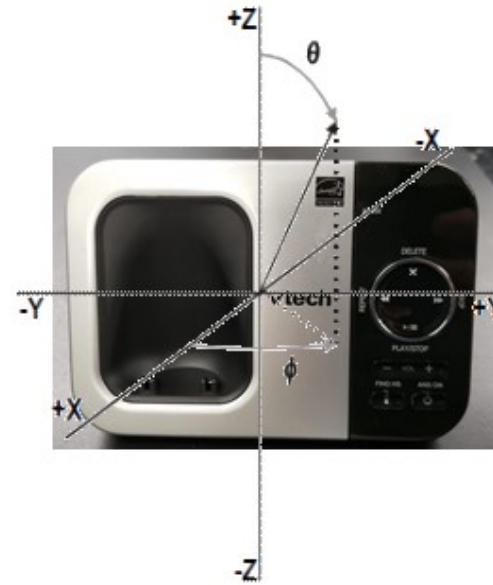
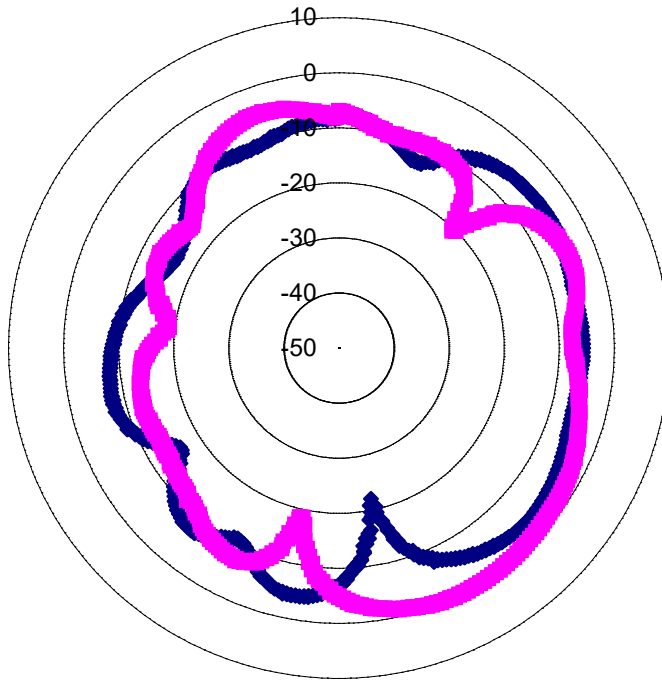
\*NOTE: Frequency and Orientation with maximum Antenna Gain.

Frequency: 2440MHz

	Vertical	Horizontal
Antenna Gain (dBi)	-4.48	-1.00

VG232 Base BT ANT Radiation Pattern\_XY Plane

— Vertical  
— Horizontal



VG232 Base BT ANT Dimensions in mm

