

[VTECH]

[2.4GHz Dipole Antenna]

Model: VM928 BU

Antenna description:

This dipole antenna is optimized and used in the Baby unit in the baby monitor models. This antenna is directly soldered to the RF output in the main PCB.

Ordering information:

Model Number	Description
VM928 BU	2.4GHz Dipole Antenna

Specification:

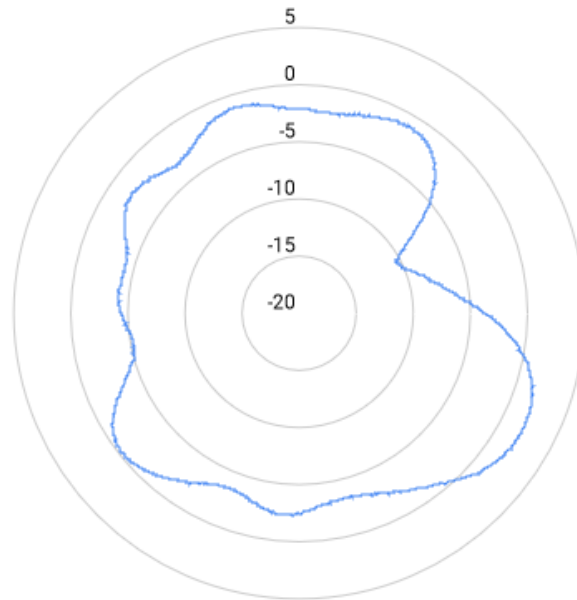
Operation Frequency Range	2405-2475 MHz
Maximum Gain	2 dBi
Type	Dipole
Operation bandwidth	70MHz
Nominal Impedance	~50 ohms
Connectors	-
Dimensions	91.1x Ø10.1mm
Manufacturer	Vtech Telecommunications Ltd
Manufacturer address	23/F, Tai Ping Industrial Centre, Blk 1, 57 Ting Kok Road, Tai Po, Hong Kong
Model number	ANT-VM901-F-WI-1

[VTECH]

[2.4GHz Dipole Antenna]

Antenna pattern (2436MHz) (the frequency with maximum gain)

XY plane (gain theta)



Coordination:



[VTECH]

[2.4GHz Dipole Antenna]

Physical Dimension:

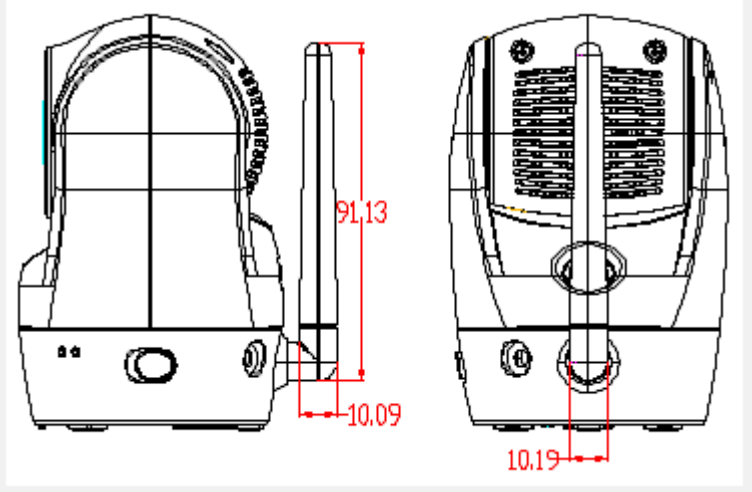


Figure 1 Physical dimension (mm)