

TEST REPORT

Report No.: 23100845HKG-001

VTech Telecommunications Ltd.

Application For Certification
(Class II Permissive Change)

FCC ID: EW780-2770-01

IC: 1135B-80277001

Transceiver

Prepared and Checked by:

Approved by:

Signed on File

Leung Chun Ning, Peter
Assistant Engineer

Wong Cheuk Ho, Herbert
Assistant Supervisor

Date: November 15, 2023

Intertek's standard Terms and Conditions can be obtained at our website <http://www.intertek.com/terms/>.

This test report only allows to be revised within the retention period unless further standard or the requirement was noticed.

This report is for the exclusive use of Intertek's Client and is provided pursuant to the agreement between Intertek and its Client. Intertek's responsibility and liability are limited to the terms and conditions of the agreement. Intertek assumes no liability to any party, other than to the Client in accordance with the agreement, for any loss, expense or damage occasioned by the use of this report. Only the Client is authorized to permit copying or distribution of this report and then only in its entirety. Any use of the Intertek name or one of its marks for the sale or advertisement of the tested material, product or service must first be approved in writing by Intertek. The observations and test results in this report are relevant only to the sample tested. This report by itself does not imply that the material, product, or service is or has ever been under an Intertek certification program.

© 2017 Intertek

TEST REPORT

GENERAL INFORMATION

Grantee:	VTech Telecommunications Ltd.
Grantee Address:	23/F, Tai Ping Industrial Centre, Block 1, 57 Ting Kok Road, Tai Po, Hong Kong.
Contact Person:	Michael Tsui
Tel:	(852) 2680 1000
Fax:	(852) 2680 5398
E-mail:	michael_tsui@vtech.com
Manufacturer:	VTech (Dongguan) Telecommunications Limited
Manufacturer Address:	VTech Science Park, Xia Ling Bei Management Zone, Liaobu, Dongguan, Guangdong, China.
Brand Name:	VTech
Model:	BC8113
HVIN:	35-201877
PMN:	BC8113
Type of EUT:	Low Power Communication Device Transmitter
Description of EUT:	Soother
Serial Number:	N/A
FCC ID / IC:	EW780-2770-01 / 1135B-80277001
Date of Sample Submitted:	November 03, 2023
Date of Test:	November 03, 2023 to November 15, 2023
Report No.:	23100845HKG-001
Report Date:	November 15, 2023
Environmental Conditions:	Temperature: +10 to 40°C Relative Humidity: 10 to 90%
Conclusion:	Test was conducted by client submitted sample. The submitted sample as received complied with the 47 CFR Part 15 / RSS-210 Issue 10 Certification.

TEST REPORT

SUMMARY OF TEST RESULT

Test Specification	Reference	Results
Transmitter Power Line Conducted Emissions	15.207 / RSS-Gen 8.8	Complied
Radiated Emission	15.249, 15.209 /	Complied
Radiated Emission on the Bandedge	RSS-210 B.10, RSS-Gen 8.9	
Radiated Emission in Restricted Bands	15.205 / RSS-Gen 8.10	Complied

For all technical data, which can be referred to Annex B – Report cover sheet.

For electronic filing, the Annex B – Report cover sheet is saved with filename: Annex B.pdf.

The equipment under test is found to be complying with the following standards:

FCC Part 15, October 1, 2021 Edition

RSS-210 Issue 10 Amendment 1, April 2020

RSS-Gen Issue 5 Amendment 2, February 2021

- Note:
1. The EUT uses a permanently attached antenna which, in accordance to section 15.203, is considered sufficient to comply with the pervisions of this section.
 2. Pursuant to FCC part 15 Section 15.215(c), the 20 dB bandwidth of the emission was contained within the frequency band designated (mentioned as above) which the EUT operated. The effects, if any, from frequency sweeping, frequency hopping, other modulation techniques and frequency stability over excepted variations in temperature and supply voltage were considered.

TEST REPORT

TABLE OF CONTENTS

1.0 GENERAL DESCRIPTION 5

 1.1 Product Description5

 1.2 Related Submittal(s) Grants/Purpose of Change.....5

 1.3 Test Methodology5

 1.4 Test Facility.....5

2.0 SYSTEM TEST CONFIGURATION..... 6

 2.1 Justification6

 2.2 EUT Exercising Software.....6

 2.3 Special Accessories.....6

 2.4 Measurement Uncertainty.....6

 2.5 Support Equipment List and Description6

3.0 EMISSION RESULTS..... 7

 3.1 Field Strength Calculation7

 3.2 Radiated Emission Configuration Photograph.....8

 3.3 Radiated Emission Data8

 3.4 Conducted Emission Configuration Photograph8

 3.5 Conducted Emission Data8

4.0 EQUIPMENT PHOTOGRAPHS..... 20

5.0 PRODUCT LABELLING..... 20

6.0 TECHNICAL SPECIFICATIONS 20

7.0 INSTRUCTION MANUAL 20

8.0 MISCELLANEOUS INFORMATION 21

 8.1 Measured Bandwidth / Radiated Emission on the Bandedge.....21

 8.2 Discussion of Pulse Desensitization28

 8.3 Calculation of Average Factor28

 8.4 Emissions Test Procedures.....29

 8.5 Occupied Bandwidth32

 8.5 Occupied Bandwidth33

 8.5 Occupied Bandwidth34

9.0 CONFIDENTIALITY REQUEST..... 35

10.0 EQUIPMENT LIST 35

TEST REPORT

1.0 GENERAL DESCRIPTION

1.1 Product Description

The Equipment Under Test is a Soother. The EUT operates at frequency range of 2402MHz to 2480MHz. The EUT is powered by 120VAC.

Antenna Type: Internal, Integral, PCB antenna
Peak antenna gain: 0dBi

For electronic filing, the brief circuit description is saved with filename: descri.pdf.

1.2 Related Submittal(s) Grants/Purpose of Change

The purpose of Change is saved in "Purpose of Change.pdf".

1.3 Test Methodology

Both AC mains line-conducted and radiated emission measurements were performed according to the procedures in ANSI C63.10 (2013). All radiated measurements were performed in an 3m Chamber. Preliminary scans were performed in the 3m Chamber only to determine worst case modes. All radiated tests were performed at an antenna to EUT distance of 3 meters, unless stated otherwise in the "**Justification Section**" of this Application.

1.4 Test Facility

The 3m Chamber and conducted measurement facility used to collect the radiated data is located at Workshop No. 3, G/F., World-Wide Industrial Centre, 43-47 Shan Mei Street, Fo Tan, Sha Tin, N.T., Hong Kong SAR, China. This test facility and site measurement data have been placed on file with the FCC and IC No. 2042H, CABID is "HKAP01".

TEST REPORT

2.0 SYSTEM TEST CONFIGURATION

2.1 Justification

The system was configured for testing in a typical fashion (as a customer would normally use it), and in the confines as outlined in ANSI C63.10 (2013).

The device was powered by 120VAC.

For maximizing emissions, the EUT was rotated through 360°, the antenna height was varied from 1 meter to 4 meters above the ground plane, and the antenna polarization was changed. This step by step procedure for maximizing emissions led to the data reported in Exhibit 3.0.

The rear of unit shall be flushed with the centre of the table.

The equipment under test (EUT) was configured for testing in a typical fashion (as a customer would normally use it). The EUT was mounted to a plastic stand if necessary and placed on the wooden turntable, which enabled the engineer to maximize emissions through its placement in the three orthogonal axes.

2.2 EUT Exercising Software

The EUT exercise program (if any) used during radiated testing was designed to exercise the various system components in a manner similar to a typical use.

2.3 Special Accessories

There are no special accessories necessary for compliance of this product.

2.4 Measurement Uncertainty

Decision Rule for compliance: For FCC/IC standard, the measured value must be within the limits of applicable standard without accounting for the measurement uncertainty. For EN/IEC/HKTA/HKTC standard, conformity rules will be used as per standard directly excepted EN/IEC 61000-3-2, EN/IEC 61000-3-3, HKTA1004, HKCA1008, HKTA1019, HKTA1020, HKTA1041 and HKTA1044. For these excepted or not mentioned standards, CI 4.2.2 of ILAC-G8:09/2019 decision rules will be reference and guard band will be equal to our measurement uncertainty with 95% confidence level ($k=2$). In case, the measured value is within guard band region, undetermined decision will be used.

Uncertainty and Compliance - Unless the standard specifically states that measured values are to be extended by the measurement uncertainty in determining compliance, all compliance determinations are based on the actual measured value.

2.5 Support Equipment List and Description

Not Applicable

TEST REPORT

3.0 EMISSION RESULTS

Data is included of the worst-case configuration (the configuration which resulted in the highest emission levels). A sample calculation, configuration photographs and data tables of the emissions are included.

3.1 Field Strength Calculation

The field strength is calculated by adding the Antenna Factor and Cable Factor, and subtracting the Amplifier Gain (if any), Average Factor (optional) from the measured reading.

The basic equation with a sample calculation is as follows:

$$FS = RA + AF + CF - AG - AV$$

where

- FS = Field Strength in dB μ V/m
- RA = Receiver Amplitude (including preamplifier) in dB μ V
- AF = Antenna Factor in dB
- CF = Cable Attenuation Factor in dB
- AG = Amplifier Gain in dB
- AV = Average Factor in dB

In the following table(s), the reading shown on the data table reflects the preamplifier gain. An example for the calculations in the following table is as follows:

$$FS = RR + LF$$

where

- FS = Field Strength in dB μ V/m
- RR = RA - AG - AV in dB μ V
- LF = CF + AF in dB

Assume a receiver reading of 52.0 dB μ V is obtained. The antenna factor of 7.4 dB and cable factor of 1.6 dB are added. The amplifier gain of 29.0 dB and average factor of 5.0 dB are subtracted, giving a field strength of 27.0 dB μ V/m. This value in dB μ V/m was converted to its corresponding level in μ V/m.

RA = 52.0 dB μ V/m	
AF = 7.4 dB	RR = 18.0 dB μ V
CF = 1.6 dB	LF = 9.0 dB
AG = 29.0 dB	
AV = 5.0 dB	
FS = RR + LF	
FS = 18 + 9 = 27 dB μ V/m	

Level in μ V/m = Common Antilogarithm [(27 dB μ V/m)/20] = 22.4 μ V/m

TEST REPORT

3.2 Radiated Emission Configuration Photograph

The worst case in radiated emission was found at 14880.000 MHz

For electronic filing, the worst-case radiated emission configuration photographs are saved with filename: radiated photos.pdf.

3.3 Radiated Emission Data

The data on the following page lists the significant emission frequencies, the limit and the margin of compliance. Numbers with a minus sign are below the limit.

Judgment: Passed by 2.8 dB

3.4 Conducted Emission Configuration Photograph

The worst case in line-conducted emission was found at 0.434 MHz

For electronic filing, the worst-case line-conducted configuration photographs are saved with filename: conducted photo.pdf.

3.5 Conducted Emission Data

For electronic filing, the graph and data table of conducted emission is saved with filename: conducted.pdf.

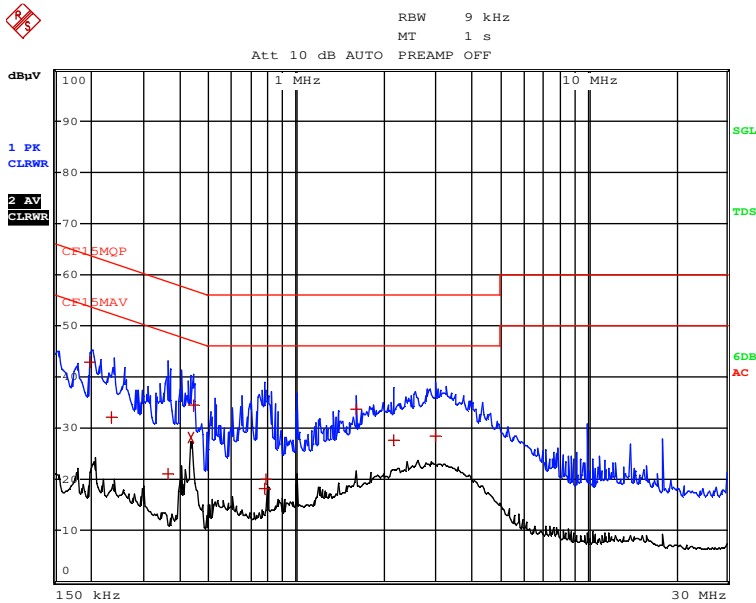
Judgment: Pass by 19.0 dB

TEST REPORT

CONDUCTED EMISSION

Model: BC8113
Date of Test: November 15, 2023
Worst-Case Operating Mode: Bluetooth Audio Playing + Light

EDIT PEAK LIST (Final Measurement Results)				
TRACE	FREQUENCY	LEVEL	dB μ V	DELTA LIMIT
Trace1:	CF15MQP			
Trace2:	CF15MAV			
Trace3:	---			
TRACE	FREQUENCY	LEVEL	dB μ V	DELTA LIMIT
1 Quasi Peak	199.5 kHz	42.78	N	-20.84
1 Quasi Peak	235.5 kHz	32.07	N	-30.18
1 Quasi Peak	361.5 kHz	21.13	N	-37.56
2 CISPR Average	433.5 kHz	28.18	N	-18.99
1 Quasi Peak	442.5 kHz	34.45	L1	-22.56
1 Quasi Peak	775.5 kHz	18.32	L1	-37.67
1 Quasi Peak	789 kHz	20.12	L1	-35.87
1 Quasi Peak	1.599 MHz	33.63	N	-22.36
1 Quasi Peak	2.1705 MHz	27.66	L1	-28.33
1 Quasi Peak	3.012 MHz	28.39	L1	-27.60



Note: Measurement Uncertainty is ± 4.2 dB at a level of confidence of 95%.

TEST REPORT

RADIATED EMISSIONS

Model: BC8113
Date of Test: November 15, 2023
Worst-Case Operating Mode: Transmitting (Bluetooth BLE 1M)

Table 1

Pursuant to FCC Part 15 Section 15.249 / RSS-210 B10.0 Requirement

Lowest Channel

Polari- zation	Frequency (MHz)	Reading (dBμV)	Pre-Amp Gain (dB)	Antenna Factor (dB)	Net at 3m - Average (dBμV/m)	Average Limit at 3m (dBμV/m)	Margin (dB)
H	2402.000	70.4	33	29.4	66.8	94.0	-27.2
V	4804.000	32.1	33	34.9	34.0	54.0	-20.0
V	7206.000	37.4	33	37.9	42.3	54.0	-11.7
H	9608.000	33.7	33	40.4	41.1	54.0	-12.9
V	12010.000	37.0	33	40.5	44.5	54.0	-9.5
V	14412.000	40.7	33	40.0	47.7	54.0	-6.3

Polari- zation	Frequency (MHz)	Reading (dBμV)	Pre-Amp Gain (dB)	Antenna Factor (dB)	Net at 3m - Peak (dBμV/m)	Peak Limit at 3m (dBμV/m)	Margin (dB)
H	2402.000	102.0	33	29.4	98.4	114.0	-15.6
V	4804.000	49.6	33	34.9	51.5	74.0	-22.5
V	7206.000	44.0	33	37.9	48.9	74.0	-25.1
H	9608.000	39.6	33	40.4	47.0	74.0	-27.0
V	12010.000	43.3	33	40.5	50.8	74.0	-23.2
V	14412.000	47.0	33	40.0	54.0	74.0	-20.0

- NOTES: 1. Peak Detector Data unless otherwise stated.
 2. Average detector is applied according to ANSI C63.10.
 3. All measurements were made at 3 meters.
 4. Negative value in the margin column shows emission below limit.
 5. Horn antenna is used for the emission over 1000MHz.
 6. Emissions within the restricted band meets the requirement of FCC Part 15 Section 15.205 / RSS-Gen Section 8.10.
 7. Measurement Uncertainty is ±5.3dB at a level of confidence of 95%.

TEST REPORT

RADIATED EMISSIONS

Model: BC8113
Date of Test: November 15, 2023
Worst-Case Operating Mode: Transmitting (Bluetooth BLE 1M)

Table 2

Pursuant to FCC Part 15 Section 15.249 / RSS-210 B10.0 Requirement

Middle Channel

Polarization	Frequency (MHz)	Reading (dBμV)	Pre-Amp Gain (dB)	Antenna Factor (dB)	Net at 3m - Average (dBμV/m)	Average Limit at 3m (dBμV/m)	Margin (dB)
H	2440.000	69.8	33	29.4	66.2	94.0	-27.8
V	4880.000	31.7	33	34.9	33.6	54.0	-20.4
V	7320.000	37.8	33	37.9	42.7	54.0	-11.3
H	9760.000	30.1	33	40.4	37.5	54.0	-16.5
V	12200.000	37.5	33	40.5	45.0	54.0	-9.0
V	14640.000	42.0	33	38.4	47.4	54.0	-6.6

Polarization	Frequency (MHz)	Reading (dBμV)	Pre-Amp Gain (dB)	Antenna Factor (dB)	Net at 3m - Peak (dBμV/m)	Peak Limit at 3m (dBμV/m)	Margin (dB)
H	2440.000	103.1	33	29.4	99.5	114.0	-14.5
V	4880.000	50.4	33	34.9	52.3	74.0	-21.7
V	7320.000	44.0	33	37.9	48.9	74.0	-25.1
H	9760.000	46.7	33	40.4	54.1	74.0	-19.9
V	12200.000	43.3	33	40.5	50.8	74.0	-23.2
V	14640.000	48.6	33	38.4	54.0	74.0	-20.0

- NOTES: 1. Peak Detector Data unless otherwise stated.
 2. Average detector is applied according to ANSI C63.10.
 3. All measurements were made at 3 meters.
 4. Negative value in the margin column shows emission below limit.
 5. Horn antenna is used for the emission over 1000MHz.
 6. Emissions within the restricted band meets the requirement of FCC Part 15 Section 15.205 / RSS-Gen Section 8.10.
 7. Measurement Uncertainty is ±5.3dB at a level of confidence of 95%.

TEST REPORT

RADIATED EMISSIONS

Model: BC8113
Date of Test: November 15, 2023
Worst-Case Operating Mode: Transmitting (Bluetooth BLE 1M)

Table 3

Pursuant to FCC Part 15 Section 15.249 / RSS-210 B10.0 Requirement

Highest Channel

Polarization	Frequency (MHz)	Reading (dBμV)	Pre-Amp Gain (dB)	Antenna Factor (dB)	Net at 3m - Average (dBμV/m)	Average Limit at 3m (dBμV/m)	Margin (dB)
H	2480.000	71.4	33	29.4	67.8	94.0	-26.2
V	4960.000	37.9	33	34.9	39.8	54.0	-14.2
V	7440.000	28.9	33	37.9	33.8	54.0	-20.2
H	9920.000	37.3	33	40.4	44.7	54.0	-9.3
V	12400.000	43.0	33	40.5	50.5	54.0	-3.5
V	14880.000	45.8	33	38.4	51.2	54.0	-2.8

Polarization	Frequency (MHz)	Reading (dBμV)	Pre-Amp Gain (dB)	Antenna Factor (dB)	Net at 3m - Peak (dBμV/m)	Peak Limit at 3m (dBμV/m)	Margin (dB)
H	2480.000	103.4	33	29.4	99.8	114.0	-14.2
V	4960.000	56.1	33	34.9	58.0	74.0	-16.0
V	7440.000	46.1	33	37.9	51.0	74.0	-23.0
H	9920.000	43.8	33	40.4	51.2	74.0	-22.8
V	12400.000	48.6	33	40.5	56.1	74.0	-17.9
V	14880.000	52.7	33	38.4	58.1	74.0	-15.9

- NOTES:
1. Peak Detector Data unless otherwise stated.
 2. Average detector is applied according to ANSI C63.10.
 3. All measurements were made at 3 meters.
 4. Negative value in the margin column shows emission below limit.
 5. Horn antenna is used for the emission over 1000MHz.
 6. Emissions within the restricted band meets the requirement of FCC Part 15 Section 15.205 / RSS-Gen Section 8.10.
 7. Measurement Uncertainty is ±5.3dB at a level of confidence of 95%.

TEST REPORT

RADIATED EMISSIONS

Model: BC8113
Date of Test: November 15, 2023
Worst-Case Operating Mode: Transmitting (Bluetooth BLE 2M)

Table 4

Pursuant to FCC Part 15 Section 15.249 / RSS-210 B10.0 Requirement

Lowest Channel

Polarization	Frequency (MHz)	Reading (dBμV)	Pre-Amp Gain (dB)	Antenna Factor (dB)	Net at 3m - Average (dBμV/m)	Average Limit at 3m (dBμV/m)	Margin (dB)
H	2402.000	68.4	33	29.4	64.8	94.0	-29.2
V	4804.000	28.6	33	34.9	30.5	54.0	-23.5
V	7206.000	32.9	33	37.9	37.8	54.0	-16.2
H	9608.000	36.5	33	40.4	43.9	54.0	-10.1
V	12010.000	39.8	33	40.5	47.3	54.0	-6.7
V	14412.000	43.2	33	40.0	50.2	54.0	-3.8

Polarization	Frequency (MHz)	Reading (dBμV)	Pre-Amp Gain (dB)	Antenna Factor (dB)	Net at 3m - Peak (dBμV/m)	Peak Limit at 3m (dBμV/m)	Margin (dB)
H	2402.000	101.8	33	29.4	98.2	114.0	-15.8
V	4804.000	45.5	33	34.9	47.4	74.0	-26.6
V	7206.000	38.5	33	37.9	43.4	74.0	-30.6
H	9608.000	42.2	33	40.4	49.6	74.0	-24.4
V	12010.000	46.3	33	40.5	53.8	74.0	-20.2
V	14412.000	52.6	33	40.0	59.6	74.0	-14.4

- NOTES: 1. Peak Detector Data unless otherwise stated.
2. Average detector is applied according to ANSI C63.10.
3. All measurements were made at 3 meters.
4. Negative value in the margin column shows emission below limit.
5. Horn antenna is used for the emission over 1000MHz.
6. Emissions within the restricted band meets the requirement of FCC Part 15 Section 15.205 / RSS-Gen Section 8.10.
7. Measurement Uncertainty is ±5.3dB at a level of confidence of 95%.

TEST REPORT

RADIATED EMISSIONS

Model: BC8113
Date of Test: November 15, 2023
Worst-Case Operating Mode: Transmitting (Bluetooth BLE 2M)

Table 5

Pursuant to FCC Part 15 Section 15.249 / RSS-210 B10.0 Requirement

Middle Channel

Polarization	Frequency (MHz)	Reading (dBμV)	Pre-Amp Gain (dB)	Antenna Factor (dB)	Net at 3m - Average (dBμV/m)	Average Limit at 3m (dBμV/m)	Margin (dB)
H	2440.000	68.8	33	29.4	65.2	94.0	-28.8
V	4880.000	28.5	33	34.9	30.4	54.0	-23.6
V	7320.000	33.4	33	37.9	38.3	54.0	-15.7
H	9760.000	36.1	33	40.4	43.5	54.0	-10.5
V	12200.000	40.0	33	40.5	47.5	54.0	-6.5
V	14640.000	44.6	33	38.4	50.0	54.0	-4.0

Polarization	Frequency (MHz)	Reading (dBμV)	Pre-Amp Gain (dB)	Antenna Factor (dB)	Net at 3m - Peak (dBμV/m)	Peak Limit at 3m (dBμV/m)	Margin (dB)
H	2440.000	102.3	33	29.4	98.7	114.0	-15.3
V	4880.000	46.8	33	34.9	48.7	74.0	-25.3
V	7320.000	39.1	33	37.9	44.0	74.0	-30.0
H	9760.000	42.4	33	40.4	49.8	74.0	-24.2
V	12200.000	45.9	33	40.5	53.4	74.0	-20.6
V	14640.000	51.0	33	38.4	56.4	74.0	-17.6

- NOTES: 1. Peak Detector Data unless otherwise stated.
2. Average detector is applied according to ANSI C63.10.
3. All measurements were made at 3 meters.
4. Negative value in the margin column shows emission below limit.
5. Horn antenna is used for the emission over 1000MHz.
6. Emissions within the restricted band meets the requirement of FCC Part 15 Section 15.205 / RSS-Gen Section 8.10.
7. Measurement Uncertainty is ±5.3dB at a level of confidence of 95%.

TEST REPORT

RADIATED EMISSIONS

Model: BC8113
Date of Test: November 15, 2023
Worst-Case Operating Mode: Transmitting (Bluetooth BLE 2M)

Table 6

Pursuant to FCC Part 15 Section 15.249 / RSS-210 B10.0 Requirement

Highest Channel

Polarization	Frequency (MHz)	Reading (dBμV)	Pre-Amp Gain (dB)	Antenna Factor (dB)	Net at 3m - Average (dBμV/m)	Average Limit at 3m (dBμV/m)	Margin (dB)
H	2480.000	69.9	33	29.4	66.3	94.0	-27.7
V	4960.000	31.9	33	34.9	33.8	54.0	-20.2
V	7440.000	35.9	33	37.9	40.8	54.0	-13.2
H	9920.000	29.1	33	40.4	36.5	54.0	-17.5
V	12400.000	41.0	33	40.5	48.5	54.0	-5.5
V	14880.000	43.4	33	38.4	48.8	54.0	-5.2

Polarization	Frequency (MHz)	Reading (dBμV)	Pre-Amp Gain (dB)	Antenna Factor (dB)	Net at 3m - Peak (dBμV/m)	Peak Limit at 3m (dBμV/m)	Margin (dB)
H	2480.000	103.3	33	29.4	99.7	114.0	-14.3
V	4960.000	52.4	33	34.9	54.3	74.0	-19.7
V	7440.000	41.5	33	37.9	46.4	74.0	-27.6
H	9920.000	47.1	33	40.4	54.5	74.0	-19.5
V	12400.000	47.4	33	40.5	54.9	74.0	-19.1
V	14880.000	53.0	33	38.4	58.4	74.0	-15.6

- NOTES: 1. Peak Detector Data unless otherwise stated.
2. Average detector is applied according to ANSI C63.10.
3. All measurements were made at 3 meters.
4. Negative value in the margin column shows emission below limit.
5. Horn antenna is used for the emission over 1000MHz.
6. Emissions within the restricted band meets the requirement of FCC Part 15 Section 15.205 / RSS-Gen Section 8.10.
7. Measurement Uncertainty is ±5.3dB at a level of confidence of 95%.

TEST REPORT

RADIATED EMISSIONS

Model: BC8113
Date of Test: November 15, 2023
Worst-Case Operating Mode: Transmitting (Bluetooth 3.0)

Table 7

Pursuant to FCC Part 15 Section 15.249 / RSS-210 B10.0 Requirement

Lowest Channel

Polari- zation	Frequency (MHz)	Reading (dBμV)	Pre-Amp Gain (dB)	Antenna Factor (dB)	Net at 3m - Average (dBμV/m)	Average Limit at 3m (dBμV/m)	Margin (dB)
H	2402.000	90.8	33	29.4	87.2	94.0	-6.8
V	4804.000	40.3	33	34.9	42.2	54.0	-11.8
V	7206.000	36.3	33	37.9	41.2	54.0	-12.8
H	9608.000	37.8	33	40.4	45.2	54.0	-8.8
V	12010.000	36.0	33	40.5	43.5	54.0	-10.5
V	14412.000	40.7	33	40.0	47.7	54.0	-6.3

Polari- zation	Frequency (MHz)	Reading (dBμV)	Pre-Amp Gain (dB)	Antenna Factor (dB)	Net at 3m - Peak (dBμV/m)	Peak Limit at 3m (dBμV/m)	Margin (dB)
H	2402.000	102.4	33	29.4	98.8	114.0	-15.2
V	4804.000	50.1	33	34.9	52.0	74.0	-22.0
V	7206.000	47.0	33	37.9	51.9	74.0	-22.1
H	9608.000	48.0	33	40.4	55.4	74.0	-18.6
V	12010.000	49.5	33	40.5	57.0	74.0	-17.0
V	14412.000	54.0	33	40.0	61.0	74.0	-13.0

- NOTES: 1. Peak Detector Data unless otherwise stated.
2. Average detector is applied according to ANSI C63.10.
3. All measurements were made at 3 meters.
4. Negative value in the margin column shows emission below limit.
5. Horn antenna is used for the emission over 1000MHz.
6. Emissions within the restricted band meets the requirement of FCC Part 15 Section 15.205 / RSS-Gen Section 8.10.
7. Measurement Uncertainty is ±5.3dB at a level of confidence of 95%.

TEST REPORT

RADIATED EMISSIONS

Model: BC8113
Date of Test: November 15, 2023
Worst-Case Operating Mode: Transmitting (Bluetooth 3.0)

Table 8

Pursuant to FCC Part 15 Section 15.249 / RSS-210 B10.0 Requirement

Middle Channel

Polarization	Frequency (MHz)	Reading (dBμV)	Pre-Amp Gain (dB)	Antenna Factor (dB)	Net at 3m - Average (dBμV/m)	Average Limit at 3m (dBμV/m)	Margin (dB)
H	2440.000	92.4	33	29.4	88.8	94.0	-5.2
V	4880.000	42.9	33	34.9	44.8	54.0	-9.2
V	7320.000	33.7	33	37.9	38.6	54.0	-15.4
H	9760.000	39.5	33	40.4	46.9	54.0	-7.1
V	12200.000	35.9	33	40.5	43.4	54.0	-10.6
V	14640.000	42.8	33	38.4	48.2	54.0	-5.8

Polarization	Frequency (MHz)	Reading (dBμV)	Pre-Amp Gain (dB)	Antenna Factor (dB)	Net at 3m - Peak (dBμV/m)	Peak Limit at 3m (dBμV/m)	Margin (dB)
H	2440.000	102.8	33	29.4	99.2	114.0	-14.8
V	4880.000	51.2	33	34.9	53.1	74.0	-20.9
V	7320.000	45.5	33	37.9	50.4	74.0	-23.6
H	9760.000	49.8	33	40.4	57.2	74.0	-16.8
V	12200.000	49.0	33	40.5	56.5	74.0	-17.5
V	14640.000	56.4	33	38.4	61.8	74.0	-12.2

- NOTES: 1. Peak Detector Data unless otherwise stated.
 2. Average detector is applied according to ANSI C63.10.
 3. All measurements were made at 3 meters.
 4. Negative value in the margin column shows emission below limit.
 5. Horn antenna is used for the emission over 1000MHz.
 6. Emissions within the restricted band meets the requirement of FCC Part 15 Section 15.205 / RSS-Gen Section 8.10.
 7. Measurement Uncertainty is ±5.3dB at a level of confidence of 95%.

TEST REPORT

RADIATED EMISSIONS

Model: BC8113
Date of Test: November 15, 2023
Worst-Case Operating Mode: Transmitting (Bluetooth 3.0)

Table 9

Pursuant to FCC Part 15 Section 15.249 / RSS-210 B10.0 Requirement

Highest Channel

Polarization	Frequency (MHz)	Reading (dBμV)	Pre-Amp Gain (dB)	Antenna Factor (dB)	Net at 3m - Average (dBμV/m)	Average Limit at 3m (dBμV/m)	Margin (dB)
H	2480.000	93.3	33	29.4	89.7	94.0	-4.3
V	4960.000	49.6	33	34.9	51.5	54.0	-2.5
V	7440.000	33.0	33	37.9	37.9	54.0	-16.1
H	9920.000	39.8	33	40.4	47.2	54.0	-6.8
V	12400.000	35.9	33	40.5	43.4	54.0	-10.6
V	14880.000	42.5	33	38.4	47.9	54.0	-6.1

Polarization	Frequency (MHz)	Reading (dBμV)	Pre-Amp Gain (dB)	Antenna Factor (dB)	Net at 3m - Peak (dBμV/m)	Peak Limit at 3m (dBμV/m)	Margin (dB)
H	2480.000	103.5	33	29.4	99.9	114.0	-14.1
V	4960.000	55.6	33	34.9	57.5	74.0	-16.5
V	7440.000	44.7	33	37.9	49.6	74.0	-24.4
H	9920.000	50.8	33	40.4	58.2	74.0	-15.8
V	12400.000	49.6	33	40.5	57.1	74.0	-16.9
V	14880.000	56.1	33	38.4	61.5	74.0	-12.5

- NOTES: 1. Peak Detector Data unless otherwise stated.
2. Average detector is applied according to ANSI C63.10.
3. All measurements were made at 3 meters.
4. Negative value in the margin column shows emission below limit.
5. Horn antenna is used for the emission over 1000MHz.
6. Emissions within the restricted band meets the requirement of FCC Part 15 Section 15.205 / RSS-Gen Section 8.10.
7. Measurement Uncertainty is ±5.3dB at a level of confidence of 95%.

TEST REPORT

RADIATED EMISSIONS

Model: BC8113
Date of Test: November 15, 2023
Worst-Case Operating Mode: Bluetooth Audio Playing + Light

Table 10

Pursuant to FCC Part 15 Section 15.209 / RSS-GEN 8.9 Requirement

Polarization	Frequency (MHz)	Reading (dBμV)	Pre-amp (dB)	Antenna Factor (dB)	Net at 3m (dBμV/m)	Limit at 3m (dBμV/m)	Margin (dB)
V	30.972	24.6	16	10.0	18.6	40.0	-21.4
V	61.888	30.8	16	10.0	24.8	40.0	-15.2
V	66.012	30.8	16	9.0	23.8	40.0	-16.2
V	70.012	36.4	16	7.0	27.4	40.0	-12.6
V	74.014	32.8	16	6.0	22.8	40.0	-17.2
H	131.852	21.6	16	14.0	19.6	43.5	-23.9
H	384.142	28.0	16	24.0	36.0	46.0	-10.0
H	560.876	19.4	16	28.0	31.4	46.0	-14.6

- NOTES: 1. Quasi-Peak Detector Data unless otherwise stated.
 2. All measurements were made at 3 meters.
 3. Negative value in the margin column shows emission below limit.
 4. Horn antenna is used for the emission over 1000MHz.
 5. Emissions within the restricted band meets the requirement of FCC Part 15 Section 15.205 / RSS-Gen Section 8.10.
 6. Measurement Uncertainty is ±5.3dB at a level of confidence of 95%.

TEST REPORT

4.0 EQUIPMENT PHOTOGRAPHS

For electronic filing, the photographs are saved with filename: external photos.pdf and internal photos.pdf.

5.0 PRODUCT LABELLING

For electronics filing, the FCC ID label artwork and the label location are saved with filename: label.pdf.

6.0 TECHNICAL SPECIFICATIONS

For electronic filing, the block diagram and schematic of the tested EUT are saved with filename: block.pdf and circuit.pdf respectively.

7.0 INSTRUCTION MANUAL

For electronic filing, a preliminary copy of the Instruction Manual is saved with filename: manual.pdf.

This manual will be provided to the end-user with each unit sold/leased in the United States and Canada.

TEST REPORT

8.0 MISCELLANEOUS INFORMATION

The miscellaneous information includes details of the test procedure and measured bandwidth / calculation of factor such as pulse desensitization and averaging factor (calculation and timing diagram).

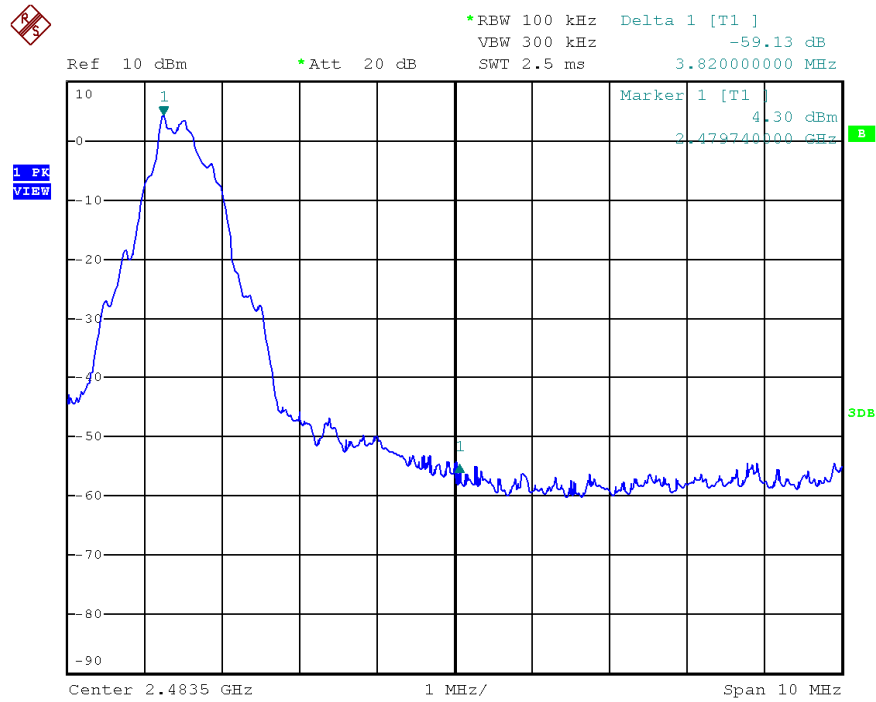
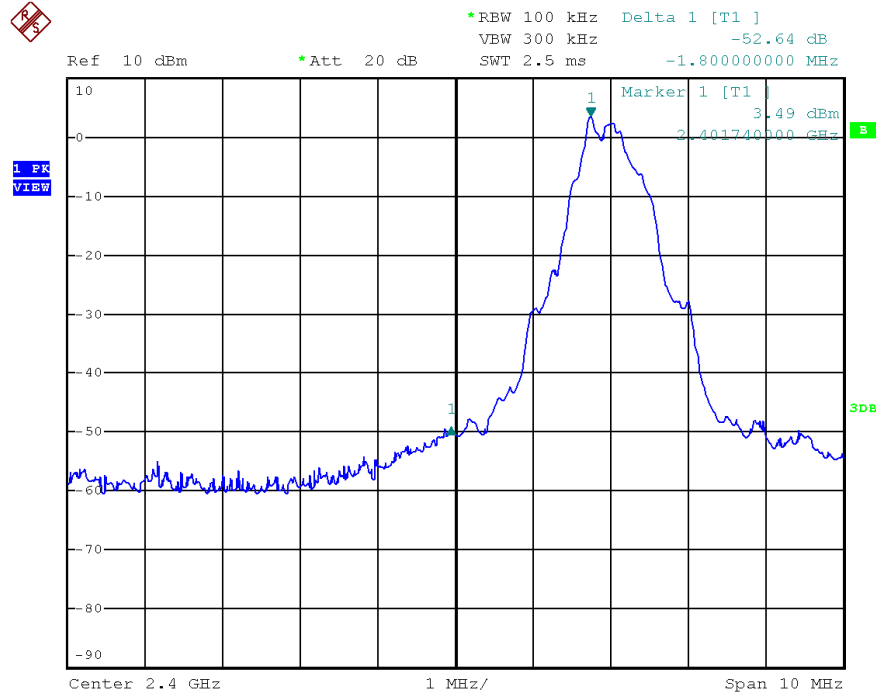
8.1 Radiated Emission on the Bandedge

From the following plots, they show that the fundamental emissions are confined in the specified band (2400MHz to 2483.5MHz). In case of the fundamental emissions are within two standard bandwidths from the bandedge, the delta measurement technique is used for determining bandedge compliance. Standard bandwidth is the bandwidth specified by ANSI C63.10 (2013) for frequency being measured.

Emissions radiated outside of the specified frequency bands, except harmonics, are attenuated by 50dB below the level of the fundamental or to the general radiated emissions limits in Section 15.209 / RSS-Gen 8.9, whichever is the lesser attenuation, which meet the requirement of Part 15.249(d) / RSS-210 B.10.

TEST REPORT

PEAK MEASUREMENT (Bluetooth 4.0 BLE 1M)



TEST REPORT

PEAK MEASUREMENT (Bluetooth 4.0 BLE 1M)

Bandedge compliance is determined by applying marker-delta method, i.e. (Bandedge Plot).

Lower bandedge

Peak Resultant field strength = Fundamental emissions (peak value) – delta from the plot

$$= 98.4 \text{ dB}\mu\text{V/m} - 52.6 \text{ dB}$$

$$= 45.8 \text{ dB}\mu\text{V/m}$$

Average Resultant field strength = Fundamental emissions (average value) – delta from the plot

$$= 66.8 \text{ dB}\mu\text{V/m} - 52.6 \text{ dB}$$

$$= 14.2 \text{ dB}\mu\text{V/m}$$

Upper bandedge

Peak Resultant field strength = Fundamental emissions (peak value) – delta from the plot

$$= 99.8 \text{ dB}\mu\text{V/m} - 59.1 \text{ dB}$$

$$= 40.7 \text{ dB}\mu\text{V/m}$$

Average Resultant field strength = Fundamental emissions (average value) – delta from the plot

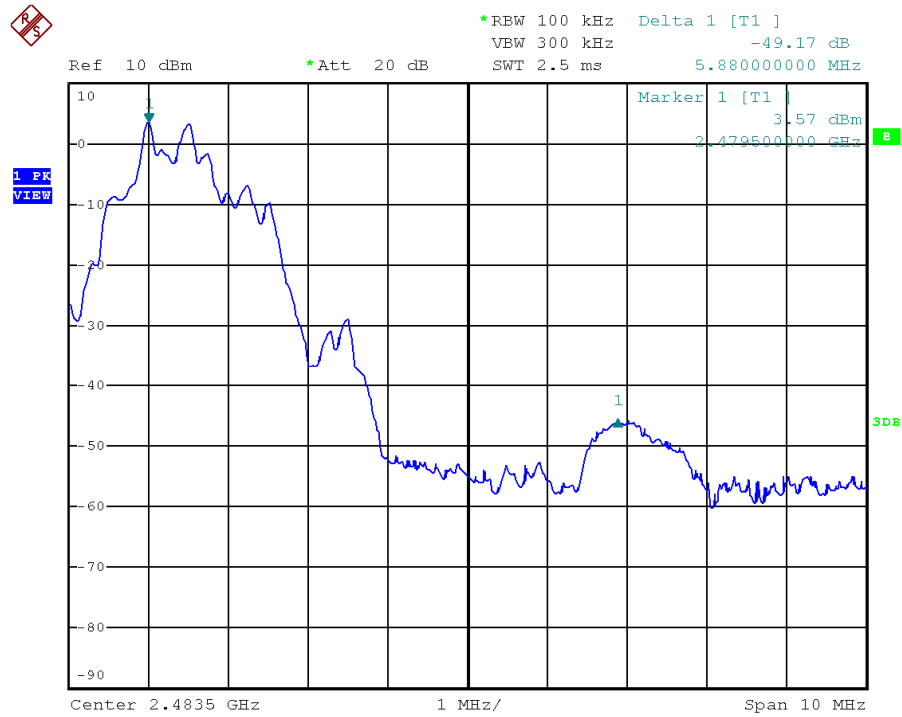
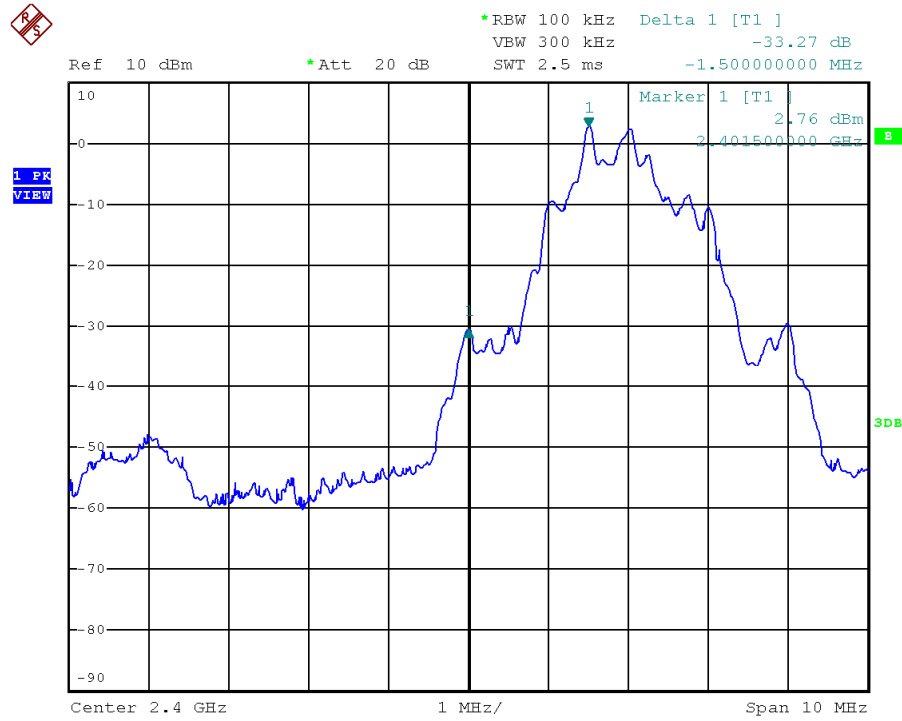
$$= 67.8 \text{ dB}\mu\text{V/m} - 59.1 \text{ dB}$$

$$= 8.7 \text{ dB}\mu\text{V/m}$$

The resultant field strength meets the general radiated emission limit in Section 15.209, which does not exceed 74 dB μ V/m (Peak Limit) and 54 dB μ V/m (Average Limit).

TEST REPORT

PEAK MEASUREMENT (Bluetooth 4.0 BLE 2M)



TEST REPORT

PEAK MEASUREMENT (Bluetooth 4.0 BLE 2M)

Bandedge compliance is determined by applying marker-delta method, i.e. (Bandedge Plot).

Lower bandedge

Peak Resultant field strength = Fundamental emissions (peak value) – delta from the plot

$$= 98.2 \text{ dB}\mu\text{V/m} - 33.3 \text{ dB}$$

$$= 64.9 \text{ dB}\mu\text{V/m}$$

Average Resultant field strength = Fundamental emissions (average value) – delta from the plot

$$= 64.8 \text{ dB}\mu\text{V/m} - 33.3 \text{ dB}$$

$$= 31.5 \text{ dB}\mu\text{V/m}$$

Upper bandedge

Peak Resultant field strength = Fundamental emissions (peak value) – delta from the plot

$$= 99.7 \text{ dB}\mu\text{V/m} - 49.2 \text{ dB}$$

$$= 50.5 \text{ dB}\mu\text{V/m}$$

Average Resultant field strength = Fundamental emissions (average value) – delta from the plot

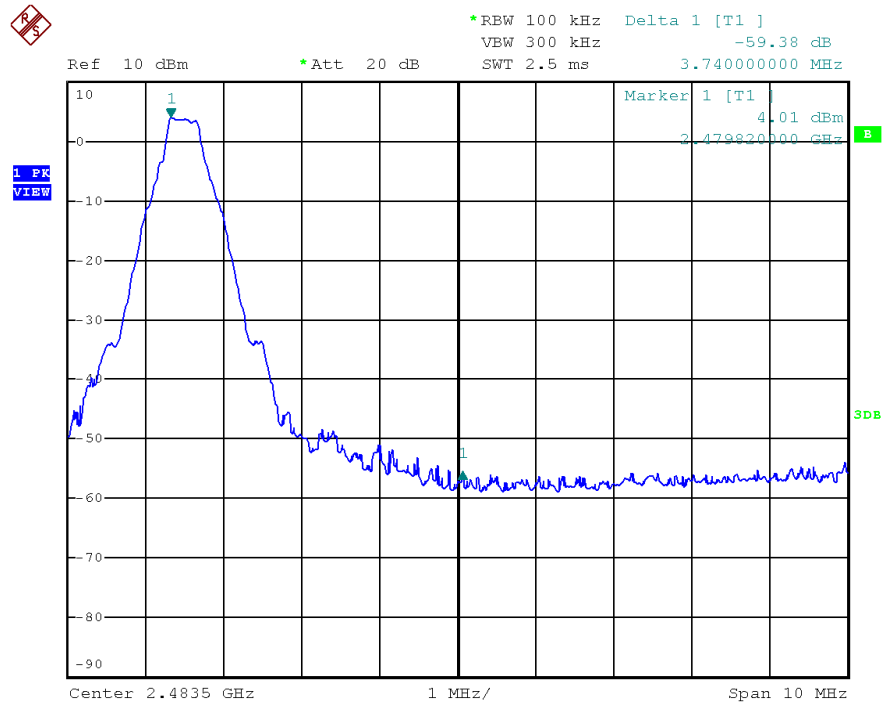
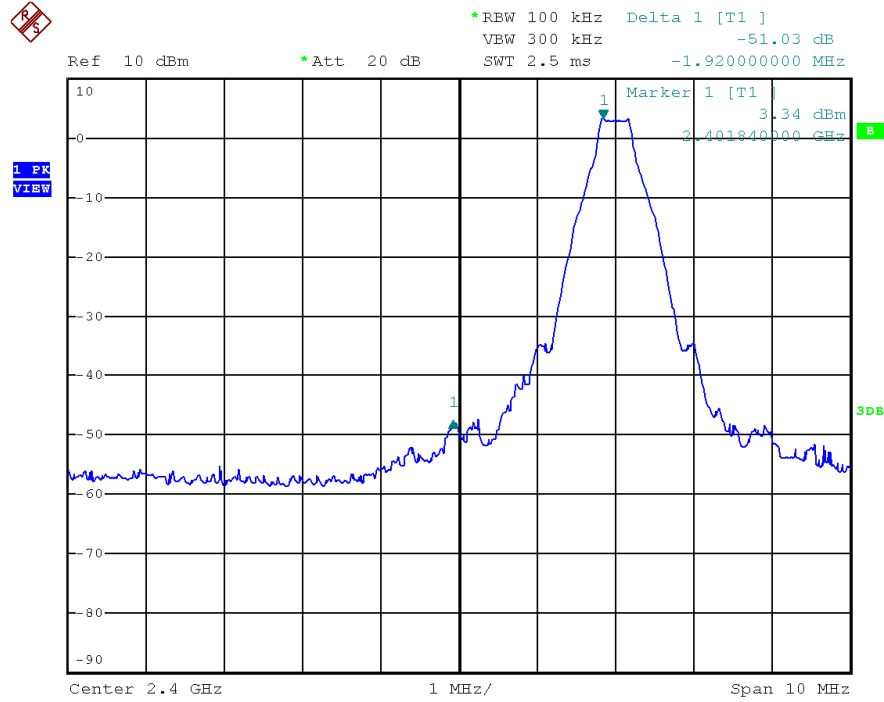
$$= 66.3 \text{ dB}\mu\text{V/m} - 49.2 \text{ dB}$$

$$= 17.1 \text{ dB}\mu\text{V/m}$$

The resultant field strength meets the general radiated emission limit in Section 15.209, which does not exceed 74 dB μ V/m (Peak Limit) and 54 dB μ V/m (Average Limit).

TEST REPORT

PEAK MEASUREMENT (Bluetooth 3.0)



TEST REPORT

PEAK MEASUREMENT (Bluetooth 3.0)

Bandedge compliance is determined by applying marker-delta method, i.e. (Bandedge Plot).

Lower bandedge

Peak Resultant field strength = Fundamental emissions (peak value) – delta from the plot

$$= 98.8 \text{ dB}\mu\text{V/m} - 51.0 \text{ dB}$$

$$= 47.8 \text{ dB}\mu\text{V/m}$$

Average Resultant field strength = Fundamental emissions (average value) – delta from the plot

$$= 87.2 \text{ dB}\mu\text{V/m} - 51.0 \text{ dB}$$

$$= 36.2 \text{ dB}\mu\text{V/m}$$

Upper bandedge

Peak Resultant field strength = Fundamental emissions (peak value) – delta from the plot

$$= 99.9 \text{ dB}\mu\text{V/m} - 59.4 \text{ dB}$$

$$= 40.5 \text{ dB}\mu\text{V/m}$$

Average Resultant field strength = Fundamental emissions (average value) – delta from the plot

$$= 89.7 \text{ dB}\mu\text{V/m} - 59.4 \text{ dB}$$

$$= 30.3 \text{ dB}\mu\text{V/m}$$

The resultant field strength meets the general radiated emission limit in Section 15.209, which does not exceed 74 dB μ V/m (Peak Limit) and 54 dB μ V/m (Average Limit).

TEST REPORT

8.2 Discussion of Pulse Desensitization

Pulse desensitivity is not applicable for this device. The effective period (Teff) is approximately 625 μ s for a digital "1" bit which illustrated on technical specification, with a resolution bandwidth (3dB) of 3MHz, so the pulse desensitivity factor is 0dB.

8.3 Calculation of Average Factor

N/A

TEST REPORT

8.4 Emissions Test Procedures

The following is a description of the test procedure used by Intertek Testing Services Hong Kong Ltd. in the measurements of transmitter operating under the Part 15, Subpart C rules.

The transmitting equipment under test (EUT) is placed on a wooden turntable which is four feet in diameter and approximately 0.8m in height above the ground plane for emission measurement at or below 1GHz and 1.5m in height above the ground plane for emission measurement above 1GHz. During the radiated emissions test, the turntable is rotated and any cables leaving the EUT are manipulated to find the configuration resulting in maximum emissions. The EUT is adjusted through all three orthogonal axis to obtain maximum emission levels. The antenna height and polarization are also varied during the testing to search for maximum signal levels. The height of the antenna is varied from one to four meters.

Detector function for radiated emissions is in peak mode. Average readings, when required, are taken by measuring the duty cycle of the equipment under test and subtracting the corresponding amount in dB from the measured peak readings. A detailed description for the calculation of the average factor can be found in Exhibit 8.3.

The frequency range scanned is from the lowest radio frequency signal generated in the device which is greater than 9 kHz to the tenth harmonic of the highest fundamental frequency or 40 GHz, whichever is lower. For line conducted emissions, the range scanned is 150 kHz to 30 MHz.

The EUT is warmed up for 15 minutes prior to the test.

AC power to the unit is varied from 85% to 115% nominal and variation in the fundamental emission field strength is recorded. If battery powered, a new, fully charged battery is used.

Conducted measurements were made as described in ANSI C63.10 (2013).

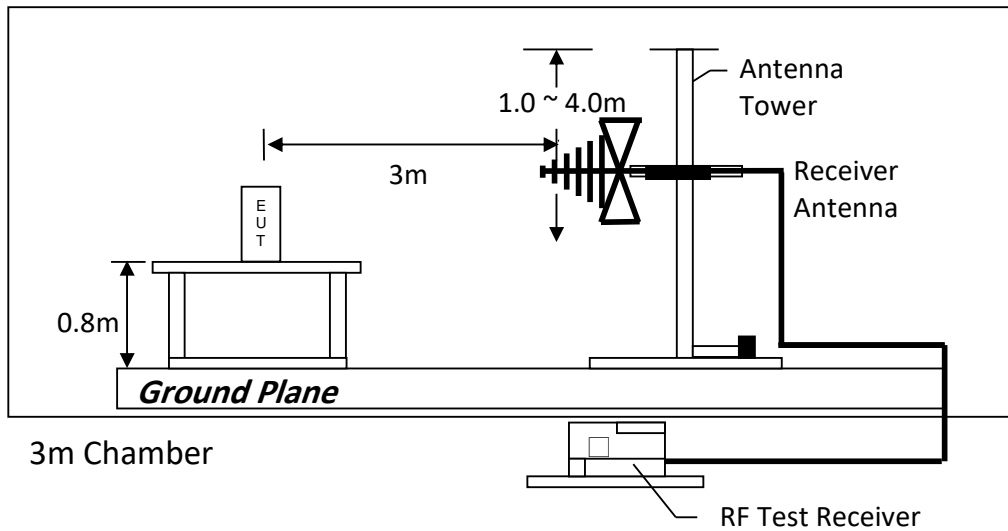
The IF bandwidth used for measurement of radiated signal strength was 100 kHz or greater when frequency is below 1000 MHz. Where pulsed transmissions of short enough pulse duration warrant, a greater bandwidth is selected according to the recommendations of Hewlett Packard Application Note 150-2. A discussion of whether pulse desensitivity is applicable to this unit is included in this report (See Exhibit 8.1). Above 1000 MHz, a resolution bandwidth of 3 MHz is used.

Transmitter measurements are normally conducted at a measurement distance of three meters. However, to assure low enough noise floor in the forbidden bands and above 1 GHz, signals are acquired at a distance of one meter or less. All measurements are extrapolated to three meters using inverse scaling, unless otherwise reported. Measurements taken at a closer distance are so marked.

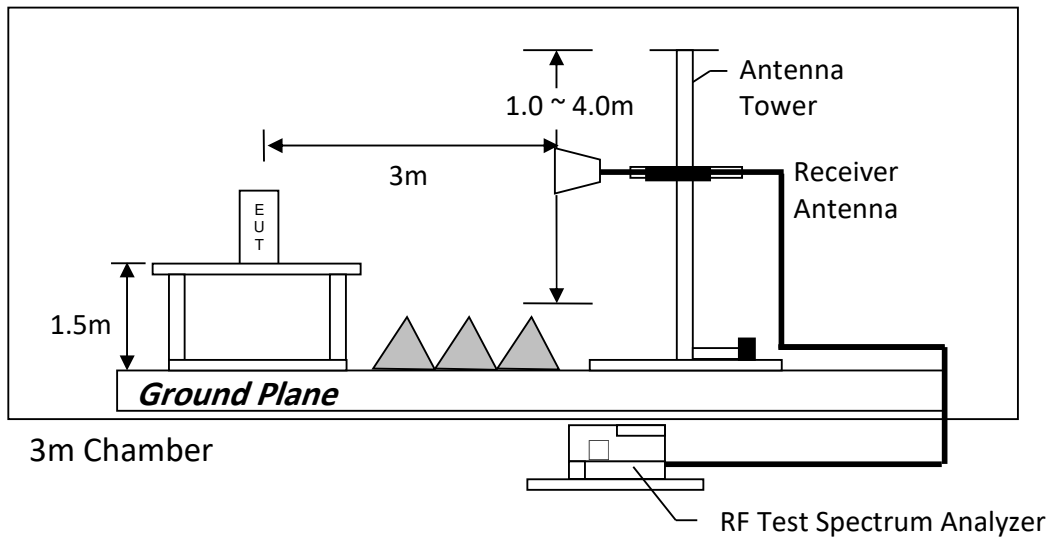
TEST REPORT

8.4.1 Radiated Emission Test Setup

The figure below shows the test setup, which is utilized to make these measurements.



Test setup of radiated emissions up to 1GHz



Test setup of radiated emissions above 1GHz

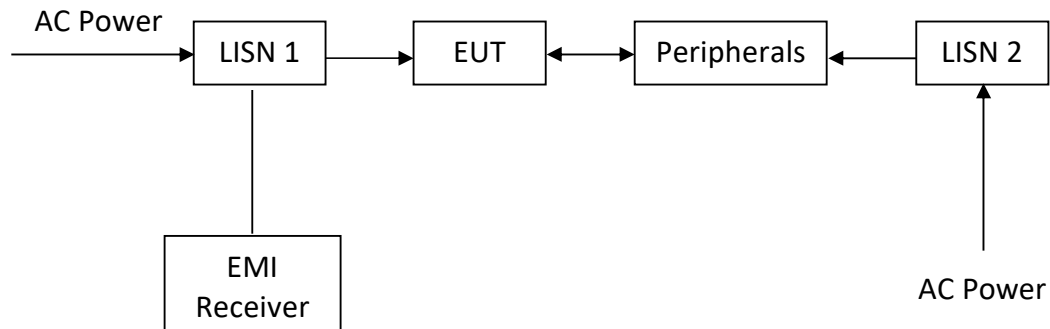
TEST REPORT

8.4.2 Conducted Emission Test Procedures

For tabletop equipment, the EUT along with its peripherals were placed on a 1.0m(W)×1.5m(L) and 0.8m in height wooden table. For floor-standing equipment, the EUT and all cables were insulated, if required, from the ground plane by up to 12 mm of insulating material. The EUT was adjusted to maintain a 0.4 meter space from a vertical reference plane. The EUT was connected to power mains through a line impedance stabilization network (LISN), which provided 50 ohm coupling impedance for measuring instrument and the chassis ground was bounded to the horizontal ground plane of shielded room. The excess power cable between the EUT and the LISN was bundled.

All connecting cables of EUT and peripherals were moved to find the maximum emission.

8.4.3 Conducted Emission Test Setup



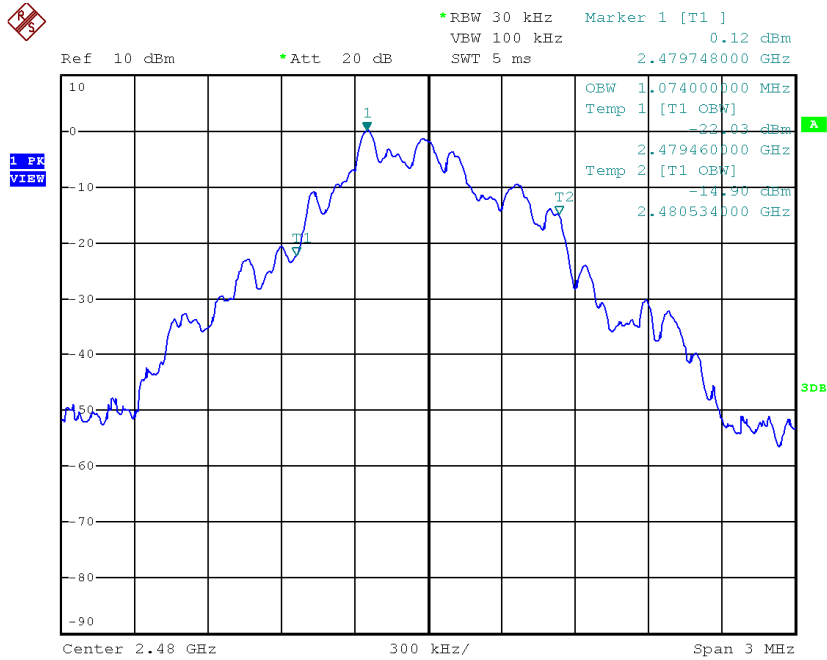
TEST REPORT

8.5 Occupied Bandwidth

Occupied Bandwidth Results: (Bluetooth 4.0 BLE 1M)

Bluetooth (MHz)	Occupied Bandwidth (kHz)
Low Channel: 2402	1056
Middle Channel: 2442	1050
High Channel: 2480	1074

The worst case is shown as below



TEST REPORT

8.5 Occupied Bandwidth (Cont'd)

Occupied Bandwidth Results: (Bluetooth 4.0 BLE 2M)

Bluetooth (MHz)	Occupied Bandwidth (kHz)
Low Channel: 2402	2060
Middle Channel: 2442	2050
High Channel: 2480	2060

The worst case is shown as below



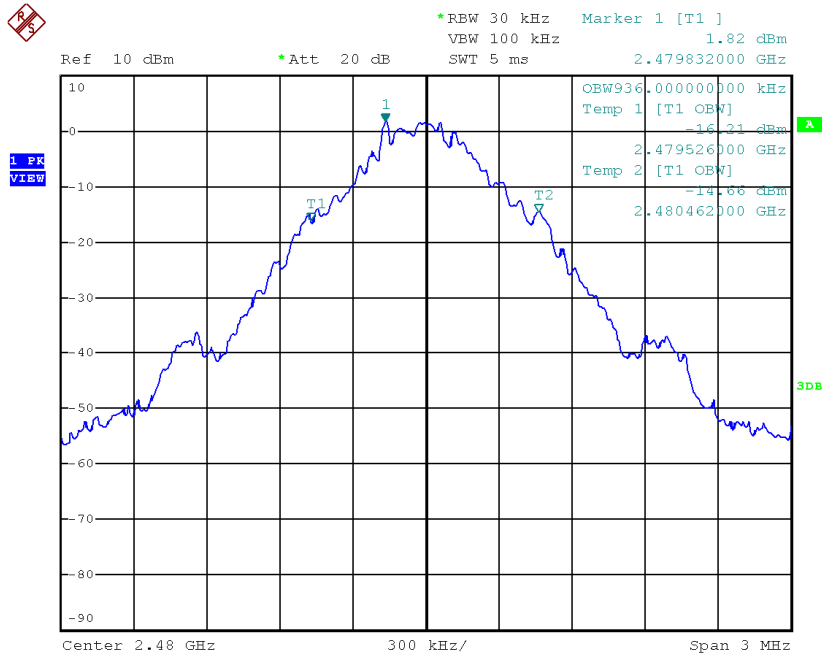
TEST REPORT

8.5 Occupied Bandwidth (Cont'd)

Occupied Bandwidth Results: (Bluetooth 3.0)

Bluetooth (MHz)	Occupied Bandwidth (kHz)
Low Channel: 2402	906
Middle Channel: 2442	906
High Channel: 2480	936

The worst case is shown as below



TEST REPORT

9 CONFIDENTIALITY REQUEST

For electronic filing, a preliminary copy of the confidentiality request is saved with filename: request.pdf.

10 EQUIPMENT LIST

1) Radiated Emissions Test

Equipment	Signal and Spectrum Analyzer (10Hz to 40GHz)	Biconical Antenna (30MHz to 300MHz)	EMI Test Receiver 7GHz
Registration No.	EW-3016	EW-3242	EW-3481
Manufacturer	ROHDESCHWARZ	EMCO	ROHDESCHWARZ
Model No.	FSV40	3110C	ESR7
Calibration Date	December 13, 2022	May 26, 2021	December 21, 2021
Calibration Due Date	December 13, 2023	November 26, 2023	December 21, 2023

Equipment	Log Periodic Antenna	Double Ridged Guide Antenna	Active Loop H-field (9kHz to 30MHz)
Registration No.	EW-3243	EW-1133	EW-3326
Manufacturer	EMCO	EMCO	EMCO
Model No.	3148B	3115	6502
Calibration Date	June 03, 2021	May 26, 2021	December 13, 2021
Calibration Due Date	December 30, 2023	November 26, 2023	December 13, 2023

Equipment	RF Preamplifier (9kHz to 6000MHz)	2.4GHz Notch Filter	14m Double Shield RF Cable (9kHz - 6GHz)
Registration No.	EW-3006b	EW-3435	EW-2376
Manufacturer	SCHWARZBECK	MICROWAVE	RADIALL
Model No.	BBV9718	N0324413	n m/br56/bnc m 14m
Calibration Date	February 15, 2022	June 16, 2022	January 26, 2022
Calibration Due Date	November 15, 2023	December 16, 2023	January 26, 2024

Equipment	RF Cable 14m (1GHz to 26.5GHz)	14m Double Shield RF Cable (20MHz to 6GHz)	Pyramidal Horn Antenna
Registration No.	EW-2781	EW-2074	EW-0905
Manufacturer	GREATBILLION	RADIALL	EMCO
Model No.	SMA m/SHF5MPU /SMA m ra14m,26G	N(m)-RG142-BNC(m) L=14M	3160-09
Calibration Date	November 24, 2021	December 10, 2021	July 20, 2021
Calibration Due Date	November 24, 2023	December 10, 2023	November 20, 2023

TEST REPORT

2) Conducted Emissions Test

Equipment	RF Cable 240cm (RG142) (9kHz to 30MHz)	Artificial Mains Network	EMI Test Receiver 7GHz
Registration No.	EW-2454	EW-2501	EW-3481
Manufacturer	RADIALL	ROHDESCHWARZ	ROHDESCHWARZ
Model No.	Bnc m st / 142 / bnc mra 240cm	ENV-216	ESR7
Calibration Date	June 13, 2023	September 11, 2021	December 21, 2021
Calibration Due Date	June 13, 2024	December 11, 2023	December 21, 2023

3) Bandedge / OBW Measurement

Equipment	5m RF Cable (40GHz)	EMI Test Receiver 7GHz
Registration No.	EW-2701	EW-3481
Manufacturer	RADIALL	ROHDESCHWARZ
Model No.	Sma m-m 5m 40G	ESR7
Calibration Date	November 24, 2021	December 21, 2021
Calibration Due Date	November 24, 2023	December 21, 2023

4) Control Software for Radiated Emission

Software Information	
Software Name	EMC32
Manufacturer	ROHDESCHWARZ
Software version	10.50.40

END OF TEST REPORT