

Go to [www.vtechphones.com](http://www.vtechphones.com) to register your product for enhanced warranty support and latest VTech product news.



RM9751

Wi-Fi 1080p  
Yellow Daisy Baby Camera

For more support information:



RM9751

## vttech® Quick start guide

### Congratulations

on purchasing your new VTech product. Before using this HD video monitor, please read **Important safety instructions**.

For support, shopping, and everything new at VTech, visit our website at [www.vtechphones.com](http://www.vtechphones.com). In Canada, visit [www.vtechcanada.com](http://www.vtechcanada.com).

### What does HD Video Monitor do?

Wi-Fi 1080p Yellow Daisy Baby Camera allows you to stay close to your baby when you are on the move or away. This monitor is Wi-Fi enabled, using your home wireless network to stream live video and audio through the 1080p baby camera and mobile devices. It allows you to maintain a constant connection to your baby. Wi-Fi 1080p Yellow Daisy Baby Camera uses **MyVTech Baby Pro** app to let you instantly see and hear what's happening with your baby from anywhere in the world. The app can be downloaded from the App Store or the Google Play™ Store.

You can also monitor from your smartphone and mobile tablet. VTech 5" Smart Wi-Fi 1080p Video Monitor uses **MyVTech Baby Pro** app to let you instantly see and hear what's happening with your baby from anywhere in the world. The app can be downloaded from the App Store or the Google Play™ Store.

## IMPORTANT SAFETY INSTRUCTIONS

The applied nameplate is located at the bottom of the camera's base. When using your equipment, basic safety precautions should always be followed to reduce the risk of fire, electric shock and injury, including the following:

- Follow all warnings and instructions marked on the product.
- Adult setup is required.
- CAUTION:** Do not install the camera at a height above 2 meters.
- This product is not a substitute for adult supervision of the infant. Supervising the infant is the parent's or caregiver's responsibility. This product could cease operating, and therefore you should not assume it will continue working properly for any given period of time. Further, this is not a medical device and should not be used as such. This product is intended to assist you in supervising your baby.
- Do not use this product near water. For example, do not use it next to a bath tub, wash bowl, kitchen sink, laundry tub or swimming pool, or in a wet basement or shower.
- Use only the adapters included with this product. Incorrect adapter polarity or voltage can seriously damage the product.

Power adapters information:  
Camera Output: 5V 1A;  
VTech Telecommunications Ltd.;  
Model: VT05EU05100

- The power adapters are intended to be correctly oriented in a vertical or floor mount position. The prongs are not designed to hold the plug in place if it is plugged into a ceiling, under-the-table or cabinet outlet.
- For pluggable equipment, the socket-outlet shall be installed near the equipment and shall be easily accessible.
- Unplug this product from the wall outlet before cleaning.
- Do not use liquid or aerosol cleaners. Use a damp cloth for cleaning. Do not cut off the power adapters to replace them with other plugs, as this causes a hazardous situation.
- Do not allow anything to rest on the power cords. Do not install this product where the cords may be walked on or crimped.
- This product should be operated only from the type of power source indicated on the marking label. If you are not sure of the type of power supply in your home, consult your dealer or local power company.
- Do not overload wall outlets or use an extension cord.
- Do not place this product on an unstable table, shelf, stand or other unstable surfaces.
- This product should not be placed in any area where proper ventilation is not provided. Slots and openings in the back or bottom of this product are provided for ventilation. To protect them from overheating, these openings must not be blocked by placing the product on a soft surface such as a bed, sofa or rug. This product should never be placed near or over a radiator or heat register.
- Never push objects of any kind into this product through the slots because they may touch dangerous voltage points or create a short circuit. Never spill liquid of any kind on the product.
- To reduce the risk of electric shock, do not disassemble this product, but take it to an authorized service facility. Opening or removing parts of the product other than specified access doors may expose you to dangerous voltages or other risks. Incorrect reassembling can cause electric shock when the product is subsequently used.
- You should test the sound reception every time you turn on the units or move one of the components.
- Periodically examine all components for damage.
- There is a very low risk of privacy loss when using certain electronic devices, such as cameras, cordless telephones, etc. To protect your privacy, make sure the product has never been used before purchase, reset the camera periodically by powering off and then powering on the units, and power off the camera if you will not use it for some time.
- Children should be supervised to ensure that they do not play with the product.

- The product is not intended for use by persons (including children) with reduced physical, sensory or mental capabilities, or lack of experience and knowledge, unless they have been given supervision or instruction concerning use of the appliance by a person responsible for their safety.

### SAVE THESE INSTRUCTIONS

#### Cautions

- Use and store the product at a temperature between 32oF (0oC) and 104oF (40oC).
- Do not expose the product to extreme cold, heat or direct sunlight. Do not put the product close to a heating source.

- Warning—Strangulation Hazard—Children have STRANGLED in cords.** Keep this cord out of the reach of children (more than 3 ft (0.9m) away). Do not remove this tag.

- Never place the camera(s) inside the baby's crib or playpen. Never cover the camera(s) with anything such as a towel or a blanket.

- Other electronic products may cause interference with your camera. Try installing your camera as far away from these electronic devices as possible: wireless routers, radios, cellular telephones, intercoms, room monitors, televisions, personal computers, kitchen appliances and cordless telephones.

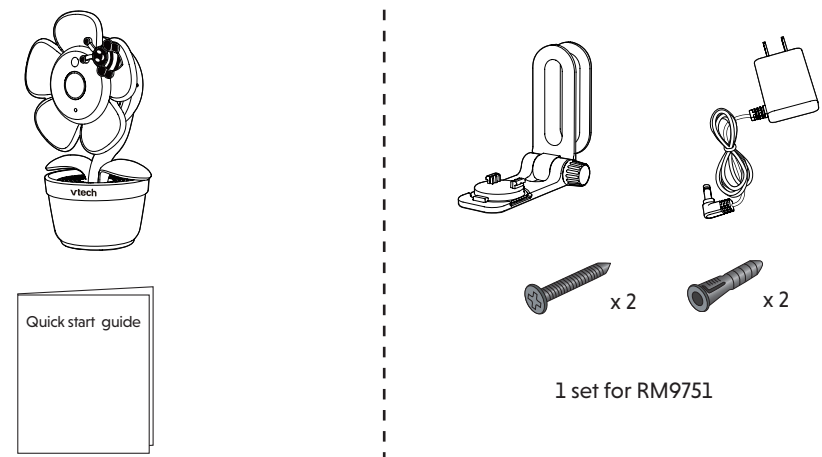
**Precautions for users of implanted cardiac pacemakers**  
Cardiac pacemakers (applies only to digital cordless devices):  
Wireless Technology Research, LLC (WTR), an independent research entity, led a multidisciplinary evaluation of the interference between portable wireless devices and implanted cardiac pacemakers. Supported by the U.S. Food and Drug Administration, WTR recommends to physicians that:

- Pacemaker patients**
    - Should keep wireless devices at least six inches from the pacemaker.
    - Should NOT place wireless devices directly over the pacemaker, such as in a breast pocket, when it is turned ON.
- WTR's evaluation did not identify any risk to bystanders with pacemakers from other persons using wireless devices.

**Electromagnetic fields (EMF)**  
This VTech product complies with all standards regarding electromagnetic fields (EMF), if handled properly and according to the instructions in this user's manual. The product is safe to be used based on scientific evidence available today.

## WHAT'S IN THE BOX

Your baby monitor package contains the following items. Save your sales receipt and original packaging in the event warranty service is necessary.



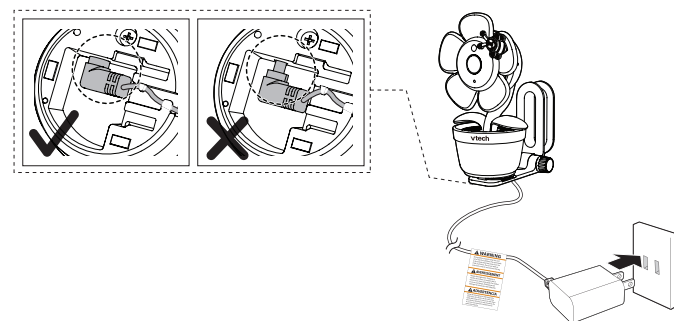
1 set for RM9751

## CONNECT AND POWER ON THE CAMERA

### NOTES

- Use only the power adapter supplied with this product.
- If the camera is connected to a switch controlled electric outlet, make sure the switch is on.
- Connect the power adapters in a vertical or floor mount position only. The adapters' prongs are not designed to hold the weight of the camera, so do not connect them to any ceiling, under-the-table, or cabinet outlets. Otherwise, the adapters may not properly connect to the outlets.
- To maintain compliance with the FCC's RF exposure guidelines, place the camera at least 20cm from nearby persons.

Connect the power adapter to the camera and a power supply, then the camera powers on automatically.



## DOWNLOAD APP FOR MOBILE ACCESS

### Start monitoring from anywhere.

Download the free MyVTech Baby Pro mobile app and install it to a mobile device, then use your mobile device and the mobile app to monitor your areas remotely.



**App Compatibility**  
• Android™ 6.0 or later  
• iOS 12 or later.

### After installing the Baby Care App...

- Sign up for an account
- Pair the camera with your mobile device
- Monitor your baby using a wide range of features

## PAIR THE CAMERA WITH YOUR MOBILE DEVICE

### On Baby Care App

#### Before you start...

- Connect your mobile device to a 2.4GHz Wi-Fi network for a better connection and smoother video streaming.
- Enable the Location Service of your mobile device for the purpose of camera setup.

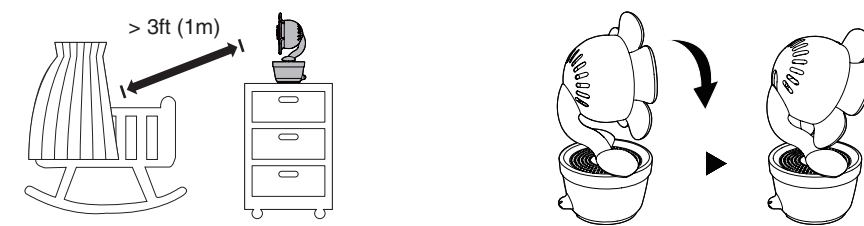
### With a 2.4GHz Wi-Fi network and enabled Location Service...

You can start to pair the camera with your own mobile device following the instructions in the app. Upon the successful pairing, you can hear and watch your baby via your mobile device.

#### Tips:

- Move the camera and the Wi-Fi router closer to each other in order to strengthen the network signal.
- It takes up around 1 minute to search the camera.

## POSITION THE CAMERA



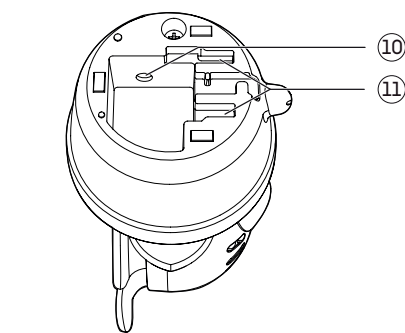
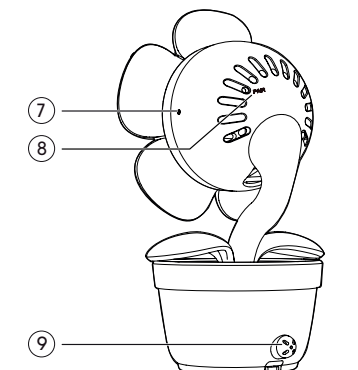
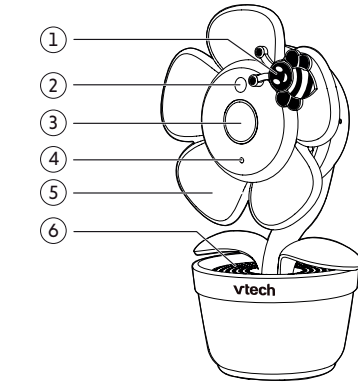
#### Tips:

- You can find the wall mounting tutorial video and step-by-step guide by visiting our Online Manual. It takes up around 1 minute to search the camera.

Pan and Tilt your camera

## OVERVIEW

### Camera



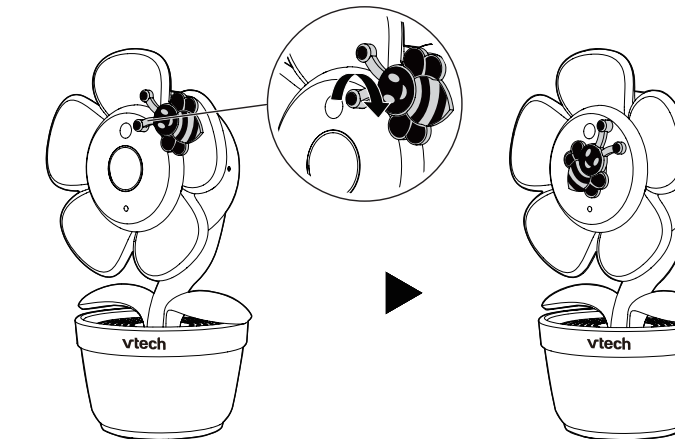
- Bee cover**
- Light sensor**
- Camera lens**
- Microphone**
- Night Light**
- Speaker**
- Status LED**
- PAIR**

- Press and hold for three seconds to enter pairing mode.
- Reset the baby unit to factory default.
  - Press and hold PAIR key until you hear a beep sound.
  - Release the PAIR key, and then press the PAIR key again five times until you hear another beep sound.
  - The baby unit will sound another beep when the reset completes. Then, the baby unit will reboot.

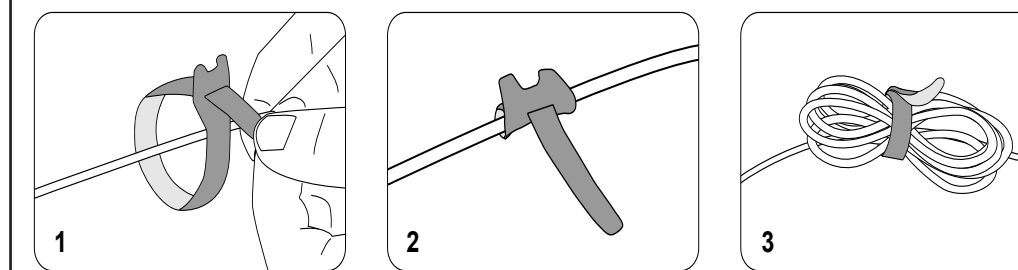
- Temperature sensor**
- Power jack**
- Wall mount slots**

## PRIVACY MODE

Designed for extra peace of mind, turn on Privacy Mode for a moment of peace and quiet. When the Privacy Mode is turned on, audio transmission and video monitoring will be disabled so motion recording, motion detection, and sound detection will be temporarily unavailable.



## CABLE MANAGEMENT



# PROTECT YOUR PRIVACY AND ONLINE SECURITY

VTech cares about your privacy and peace of mind. That's why we've put together a list of industry-recommended best practices to help keep your wireless connection private and your devices protected when online.

Ensure your wireless connection is secure

- Before installing a device, ensure your router's wireless signal is encrypted by selecting the "WPA2-PSK with AES" setting in your router's wireless security menu.

Change default settings

- Change your wireless router's default wireless network name (SSID) to something unique.
- Change default passwords to unique, strong passwords. A strong password:
  - Is at least 10 characters long.
  - Does not contain dictionary words or personal information.
  - Contains a mix of uppercase letters, lowercase letters, special characters and numbers.

Keep your devices up to date

- Download security patches from manufacturers as soon as they become available. This will ensure you always have the latest security updates.
- If the feature is available, enable automatic updates for future releases.

Disable Universal Plug and Play (UPnP) on your router

- UPnP enabled on a router can limit the effectiveness of your firewall by allowing other network devices to open inbound ports without any intervention or approval from you. A virus or other malware program could use this function to compromise security for the entire network.

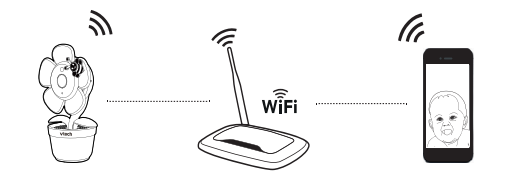
For more information on wireless connections and protecting your data, please review the following resources from industry experts:

1. Federal Communications Commission: Wireless Connections and Bluetooth Security Tips – [www.fcc.gov/consumers/guides/how-protect-yourself-online](http://www.fcc.gov/consumers/guides/how-protect-yourself-online).
2. U.S. Department of Homeland Security: Before You Connect a New Computer to the Internet – [www.us-cert.gov/ncas/tips/ST15-003.3](http://www.us-cert.gov/ncas/tips/ST15-003.3).
3. Federal Trade Commission: Using IP Cameras Safely – <https://www.consumer.ftc.gov/articles/0382-using-ip-cameras-safely>.
4. Wi-Fi Alliance: Discover Wi-Fi Security – <http://www.wi-fi.org/discover-wi-fi/security>.

# HOW THE SYSTEM WORKS ?

Your home Wi-Fi network provides Internet connection to your camera so that you can monitor and control your camera whenever you are through the MyVTECH Baby Pro App.

Your Wi-Fi router (not included) provides the Internet connectivity, which serves as a communicating channel.



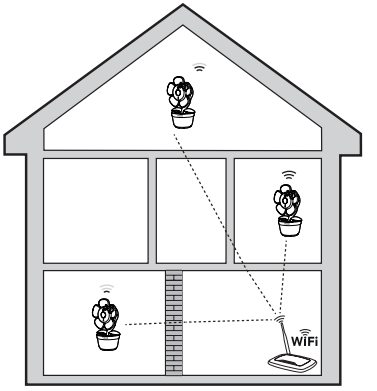
Mobile access or Wi-Fi connection

# TEST THE LOCATION FOR THE CAMERA

If you plan to install your camera to a designated location, and will use your home Wi-Fi network to connect your mobile device, test whether your selected monitoring areas have good Wi-Fi signal strength. Adjust the direction and distance between your camera, mobile device and Wi-Fi router until you have identified a suitable location with good connection.

Note:

- Depending on surroundings and obstructing factors, such as the effect distance and internal walls have on signal strength, you may experience reduced Wi-Fi signal.



# FCC AND IC REGULATIONS

FCC Part 15  
This equipment has been tested and found to comply with the requirements for a Class B digital device under Part 15 of the Federal Communications Commission (FCC) rules. These requirements are intended to provide reasonable protection against harmful interference in a residential installation. This equipment generates, uses and can radiate radio frequency energy and, if not installed and used in accordance with the instructions, may cause harmful interference to radio communications. However, there is no guarantee that interference will not occur in a particular installation. If this equipment does cause harmful interference to radio or television reception, which can be determined by turning the equipment off and on, the user is encouraged to try to correct the interference by one or more of the following measures:

- Reorient or relocate the receiving antenna.
- Increase the separation between the equipment and receiver.
- Connect the equipment into an outlet on a circuit different from that to which the receiver is connected.
- Consult the dealer or an experienced radio/TV technician for help.

WARNING: Changes or modifications to this equipment not expressly approved by the party responsible for compliance could void the user's authority to operate the equipment.

This device complies with Part 15 of the FCC rules. Operation is subject to the following two conditions: (1) this device may not cause harmful interference, and (2) this device must accept any interference received, including interference that may cause undesired operation.

To ensure safety of users, the FCC has established criteria for the amount of radio frequency energy that can be safely absorbed by a user or bystander according to the intended usage of the product. This product has been tested and found to comply with the FCC criteria. The camera shall be installed and used such that parts of all persons' body are maintained at a distance of approximately 8 in (20 cm) or more.

This Class B digital apparatus complies with Canadian requirement: CAN ICES-3 (B)/NMB-3(B)

Industry Canada  
This device contains licence-exempt transmitter(s)/ receiver(s) that comply with Innovation, Science and Economic Development Canada's licence-exempt RSS(s). Operation is subject to the following two conditions: (1) This device may not cause interference. (2) This device must accept any interference, including interference that may cause undesired operation of the device.  
The term "IC:" before the certification/registration number only signifies that the Industry Canada technical specifications were met.  
This product meets the applicable Innovation, Science and Economic Development Canada technical specifications.

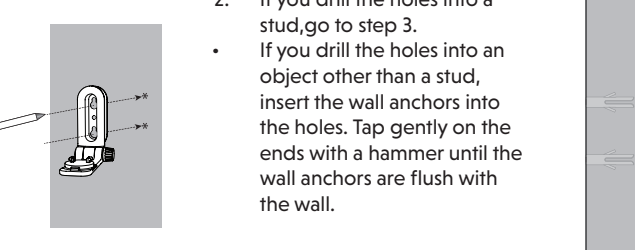
RF radiation exposure statement  
The product complies with FCC RF radiation exposure limits set forth for an uncontrolled environment. The camera should be installed and operated with a minimum distance of 8 in (20 cm) between the camera and all persons' body. Use of other accessories may not ensure compliance with FCC RF exposure guidelines. This equipment complies also with Industry Canada RSS-102 with respect to Canada's Health Code 6 for Exposure of Humans to RF Fields.

# MOUNT THE CAMERA (OPTIONAL)

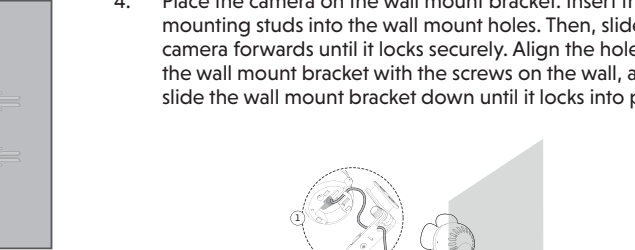
Notes:

- Check for reception strength and the camera viewing angle before drilling the holes.
- The types of screws and anchors you need depend on the composition of the wall. You may need to purchase the screws and anchors separately to mount your camera.

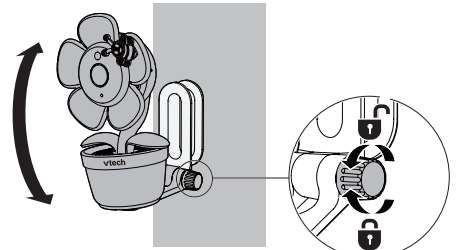
1. Place the wall mount bracket on a wall and then use a pencil to mark the top and the bottom holes as shown. Remove the wall mount bracket and drill two holes in the wall (7/32 inch drill bit).
2. If you drill the holes into a stud, go to step 3.
- If you drill the holes into an object other than a stud, insert the wall anchors into the holes. Tap gently on the ends with a hammer until the wall anchors are flush with the wall.



3. Insert the screws into the holes and tighten the screws until only 1/4 inch of the screws are exposed.
4. Place the camera on the wall mount bracket. Insert the mounting studs into the wall mount holes. Then, slide the camera forwards until it locks securely. Align the holes on the wall mount bracket with the screws on the wall, and slide the wall mount bracket down until it locks into place.



5. You can maximize your camera viewing angles by tilting the wall mount bracket. Hold the camera, and then rotate the knob in an anti-clockwise direction. This will loosen the joint of the wall mount bracket. Tilt your camera up or down to adjust to your preferred angle. Then, rotate the knob in a clockwise direction to tighten the joint and secure the angle.



# DISCLAIMER AND LIMITATION OF LIABILITY

VTech and its suppliers assume no responsibility for any damage or loss resulting from the use of this handbook. VTech and its suppliers assume no responsibility for any loss or claims by third parties that may arise through the use of this software. VTech and its suppliers assume no responsibility for any damage or loss caused by deletion of data as a result of malfunction, dead battery, or repairs. Be sure to make backup copies of important data on other media to protect against data loss.

THIS DEVICE COMPLIES WITH PART 15 OF THE FCC RULES. OPERATION IS SUBJECT TO THE FOLLOWING TWO CONDITIONS: (1) THIS DEVICE MAY NOT CAUSE HARMFUL INTERFERENCE, AND (2) THIS DEVICE MUST ACCEPT ANY INTERFERENCE RECEIVED, INCLUDING INTERFERENCE THAT MAY CAUSE UNDESIRABLE OPERATION.

## CAN ICES-3 (B)/NMB-3(B)

Caution: Changes or modifications not expressly approved by the party responsible for compliance could void the user's authority to operate the equipment.

Warranty: Please visit our website at [vtechphones.com](http://vtechphones.com) for full details of the warranty provided in your country.

# LIMITED WARRANTY

What does this limited warranty cover?

The manufacturer of this VTech product, VTech Communications, Inc. ("VTech"), warrants to the holder of a valid proof of purchase ("you") that the Product and all accessories provided by VTech in sales package ("Product") are free from material defects in material and workmanship, pursuant to the following terms and conditions, when installed and used normally and in accordance with operating instructions. This limited warranty extends only to the Consumer for Products purchased and used in the United States of America and Canada.

What will VTech do if the Product is not free from defects in materials and workmanship during the limited warranty period ("Materially Defective Product")?

During the limited warranty period, VTech's authorized service representative will replace, without charge, a Materially Defective Product. If we choose to replace the Product, we may replace it with a new or refurbished Product of the same or similar design. VTech will return replacement products to you in working condition. VTech will retain defective parts, modules, or equipment. Replacement of the Product, at VTech's option, is your exclusive remedy. You should expect the replacement to take approximately 30 days.

How long is the limited warranty period?  
The limited warranty period for the product extends for ONE (1) YEAR from date of purchase (90 days on products purchased as Refurbished). This limited warranty also applies to replacement Products for a period of either (a) 90 days from the date the replacement Product is shipped to you or (b) the time remaining on the original one-year limited warranty (90-day limited warranty on products that are purchased as Refurbished). Whichever is longer.

\*Refurbished products purchased from our online store carry a 90-day replacement warranty.

What is not covered by this limited warranty?  
This limited warranty does not cover:

1. Product that has been subjected to misuse, accident, shipping or other physical damage, improper installation, abnormal operation or handling, neglect, inundation, fire, water or other liquid intrusion; or
2. Product that has been damaged due to repair, alteration or modification by anyone other than an authorized service representative of VTech; or
3. Product to the extent that the problem experienced is caused by signal conditions, network reliability, or cable or antenna systems; or
4. Product to the extent that the problem is caused by use with non-VTech accessories; or
5. Product whose warranty/quality stickers, product serial number plates or electronic serial numbers have been removed, altered or rendered illegible; or
6. Product purchased, used, serviced, or shipped for repair from outside the United States of America or Canada, or used for commercial or institutional purposes (including but not limited to Products used for rental purposes); or
7. Product returned without a valid proof of purchase (see item 2 below); or
8. Charges for installation or set up, adjustment of customer controls, and installation or repair of systems outside the unit.

Please retain your original sales receipt as proof of purchase.

In no event shall VTech be liable for any indirect, special, incidental, consequential, or similar damages (including, but not limited to lost profits or revenue, inability to use the product, or other associated equipment, the cost of substitute equipment, and claims by third parties) resulting from the use of this product. Some states do not allow the exclusion or limitation of incidental or consequential damages, so the above limitation or exclusion may not apply to you.

How do you get warranty service?  
To obtain warranty service in the United States of America, please visit our website at [www.vtechphones.com](http://www.vtechphones.com) or call 1-(800)-995-9511 for instructions regarding where to return the

# FOR CETL COMPLIANCE ONLY

## Mesures de sécurité importantes

La plaque signalétique appliquée est située au bas du socle de l'unité du bébé.

Lorsque vous utilisez votre appareil, vous devriez toujours suivre certaines mesures de précaution de base afin de réduire les risques d'incendie, d'électrocution et de blessures corporelles, dont ceux qui suivent:

1. Observez toutes les instructions et mises en garde inscrites sur l'appareil.
2. L'installation par un adulte est requise.
3. MISE EN GARDE: N'installez pas l'unité du bébé à une hauteur supérieure à 2 mètres.
4. Ce produit a été conçu pour être un dispositif d'appoint seulement. Il n'est pas le remplacement d'une supervision responsable et adéquate par un adulte et ne devrait pas être utilisé comme telle.
5. Ce produit n'est pas conçu pour être utilisé en tant que moniteur médical.
6. N'utilisez pas cet appareil près de l'eau ni de toute autre source d'humidité, par exemple, près d'une baignoire, cuve à lessive, évier de cuisine, dans un sous-sol humide ni près d'une piscine, dans un soussol humide ou une douche.
7. MISE EN GARDE: Utilisez uniquement la pile fournie. Un risque d'explosion pourrait survenir si un mauvais type de pile est utilisé pour l'unité du parent. La pile ne peut pas être soumise à des températures extrêmes élevées ou basses et à une faible pression d'air à haute altitude pendant l'utilisation, l'entreposage ou le transport. L'élimination de la pile dans le feu ou dans un four chaud, ou l'écrasement ou le découpage mécanique de la pile peuvent entraîner une explosion. Laisser la pile dans un environnement à température extrêmement élevée peut entraîner une explosion ou la fuite d'un liquide ou d'un gaz inflammable. Une pile soumise à une pression d'air extrêmement basse peut provoquer une explosion ou une fuite de liquide ou de gaz inflammable. Éliminer la pile usagée conformément aux informations du Seau RBRC.
8. N'utilisez que les adaptateurs inclus avec ce produit. L'utilisation d'un adaptateur dont la polarité ou la tension serait inadéquate risque d'endommager sérieusement le produit et mettre votre sécurité en péril.

CONSERVEZ CES INSTRUCTIONS

Mises en garde

- Utilisez et entreposez le produit à une température entre 0° C (32° F) et 40° C (104° F).
- Risque de brûlure, risque d'incendie, risque d'explosion associé à une mauvaise manipulation de la batterie.
- N'exposez pas cet appareil à des froids ou des chaleurs extrêmes, ainsi qu'à la lumière directe du soleil. Ne l'installez pas près d'une source de chauffage.

⚠ Avertissement - Risque de strangulation - Les enfants se sont ÉTRANGLÉS dans des cordons. Gardez ce cordon hors de portée des enfants (à plus de 0,9 m). N'enlevez pas cette étiquette.

- Ne jamais placer le moniteur à l'intérieur du berceau ou du parc de bébé. Ne jamais couvrir le moniteur ou l'unité (s) portable avec un article tel une serviette ou une couverture.
- D'autres produits électroniques peuvent causer des interférences auprès de votre caméra IP. Essayez d'installer votre caméra IP le plus loin possible de ces dispositifs électroniques: routeurs sans fil, radios, téléphones cellulaires, interphones, moniteurs de pièces, téléviseurs, ordinateurs personnels, appareils électriques de cuisine et téléphones sans fil.

Informations sur les adaptateurs électriques : Adaptateur de l'unité du bébé: Sortie : 5 V CC 1A. Modèle : VT05UEU505100

9. Lorsqu'ils sont branchés dans une prise de courant, les adaptateurs secteur ont été conçus pour être orientés correctement, soit à la verticale ou au plancher. Les broches n'ont pas été conçues pour supporter le poids du bloc d'alimentation et le maintenir en place si celui-ci est branché dans une prise au plafond, sous une table ou dans un meuble.

Stimulateurs cardiaques implantés dans l'organisme

Les simulateurs cardiaques (ne s'applique qu'aux dispositifs numériques sans fil):

L'organisme Wireless Technology Research, LLC (WTR), une firme de recherche indépendante, a mené une évaluation pluridisciplinaire des interférences entre les téléphones sans fil portatifs et les stimulateurs cardiaques implantés dans l'organisme. Appuyée par l'Administration des aliments et drogues (FDA) des États-Unis, la firme WTR recommande aux médecins:

Avis aux détenteurs de stimulateurs cardiaques

- Vous devriez maintenir les dispositifs sans fil à au moins six pouces du stimulateur cardiaque.
- Ils ne doivent PAS placer le téléphone sans fil directement sur le stimulateur cardiaque, tel que dans une poche de chemise, lorsque celui-ci est en marche.

L'étude effectuée par l'organisme WRS n'a pas identifié de risque pour les détenteurs de stimulateurs cardiaques causés par les gens qui utilisent des dispositifs sans fil à proximité de ceux-ci.

Champs électromagnétiques (EMF)

Ce produit de VTech est conforme à toutes les normes se rapportant aux champs électromagnétiques (EMF) standards. Si vous le manipulez correctement en suivant les instructions de ce guide, son utilisation sera sécuritaire pendant de nombreuses années, selon les meilleures évidences scientifiques dont nous disposons aujourd'hui.

10. Débranchez ce produit de la prise de courant avant de procéder au nettoyage. N'utilisez pas de nettoyeurs en aérosols. Utilisez un chiffon humide pour le nettoyer.
11. Ne coupez pas les cordons d'alimentation pour remplacer les fiches, car ceci peut présenter un danger potentiel.
12. Ne laissez aucun objet reposer ni appuyer sur le cordon d'alimentation. N'installez pas cet appareil dans un endroit où l'on risque d'écraser le cordon d'alimentation ou de le piétiner.
13. Ne faites fonctionner cet appareil qu'avec le type d'alimentation indiqué sur l'étiquette. Si vous ne connaissez pas le type d'alimentation que vous possédez à votre domicile, consultez votre marchand ou votre compagnie locale d'électricité.
14. L'équipement doit être fourni à partir d'un acquiescement gauche identifié d'USB aux conditions de la source d'énergie limitée.
15. Ne surchargez pas les prises de courant murales ni les rallonges électriques.
16. Ne placez pas cet appareil sur un chariot, meuble, trépied, support de montage ni table charnells. Les dispositifs électroniques ont été conçus pour être utilisés sur une surface plane.
17. Les trous et ouvertures du boîtier, situés à l'arrière de l'appareil ou sous celui-ci, servent à aérer l'appareil. Pour l'empêcher de surchauffer, ne bloquez sous aucun prétexte ces ouvertures et n'empêchez pas l'aération adéquate de l'appareil en le plaçant sur un lit, divan, tapis ou toute autre surface similaire. De même, ne le positionnez pas à proximité ni au-dessus d'une source de chaleur ou d'un calorifère. De plus, ne placez pas l'appareil dans un endroit avant de vous assurer qu'il y ait une bonne circulation d'air.
18. N'enfoncez jamais d'objets à travers les ouvertures de cet appareil, car ils pourraient entrer en contact avec des points de tension dangereux ou causer des courts-circuits qui peuvent dégrader en incendies ou en risques d'électrocution. Ne renversez jamais de liquide dans ce produit.

# ONLINE MANUAL



Find the answer to your question on our knowledge-rich Online Manual. Get assisted at your own pace and learn what your monitor is capable of.

Scan the QR code to access the Online Manual or visit [help.vtechphones.com/rm9751](http://help.vtechphones.com/rm9751)

Full Manual: Comprehensive help articles on product set up, operations, Wi-Fi and settings

Video Tutorials: Walk-throughs on features and installation such as mounting the Camera on the wall.

FAQs & Troubleshooting: Answers to the most commonly asked questions, including troubleshooting solutions.

# CUSTOMER SUPPORT

Visit our Consumer Support website 24 hours a day at [help.vtechphones.com/cs](http://help.vtechphones.com/cs)

Call our Customer Support at 1-844-848-8324 (1-844-84-VTECH) [in US] or 1-888-211-2005 [in Canada] for help.

Please visit our website at [help.vtechphones.com](http://help.vtechphones.com) for full details of the warranty provided in your country.

# TECHNICAL SPECIFICATIONS

Technology	Wi-Fi 2.4GHz 802.11 b/g/n
Channels	1-11 (2412 - 2462 MHz)
Internet Connection	Minimum Requirement: 1.5 Mbps @ 720p or 2.5 Mbps @ 1080p upload bandwidth per camera
Nominal effective range	Maximum power allowed by FCC and IC. Actual operating range may vary according to environmental conditions at the time of use.
Power requirements	Camera unit power adapter: Output: 5V DC @ 1 A

Credits:  
The Background Noise sound file was created by Caroline Ford, and is used under the Creative Commons license.  
The Stream Noise sound file was created by Caroline Ford, and is used under the Creative Commons license.  
The Crickets At Night sound file was created by Mike Koenig, and is used under the Creative Commons license.  
The Heart Beat sound file was created by Zarabadeu, and is used under the Creative Commons license.

Specifications are subject to change without notice.  
© 2022 VTech Communications, Inc.  
All rights reserved. 03/22. RM9751HD\_QSG\_V2