

FCC ID Label

Label 1

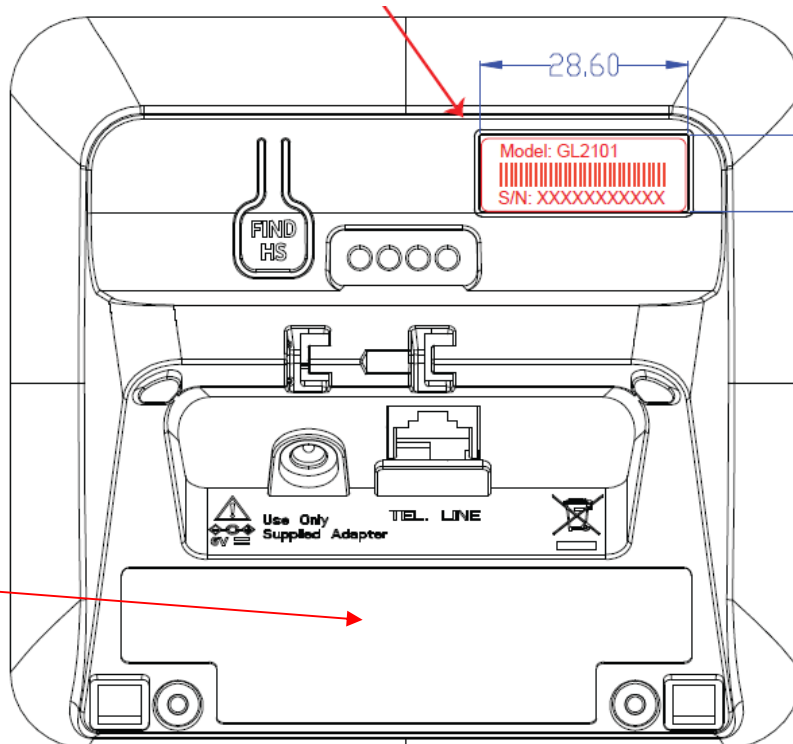


Label 2



FCC ID Label Location Information

Label 1



Label 2

The label shown shall be permanently affixed at a conspicuous location on the device and be readily visible to the user at the time purchase (Labeling requirements per 2.925)