

[VTECH]

[2.4GHz Antenna]

Model: RM5766_V2 BU (WIFI)

Antenna description:

This antenna is optimized and used in the Baby Unit in the baby monitor models. This antenna is directly soldered to the RF output in the main PCB.

Ordering information:

Model	Description
RM5766_V2 BU	2.4GHz Monopole Antenna

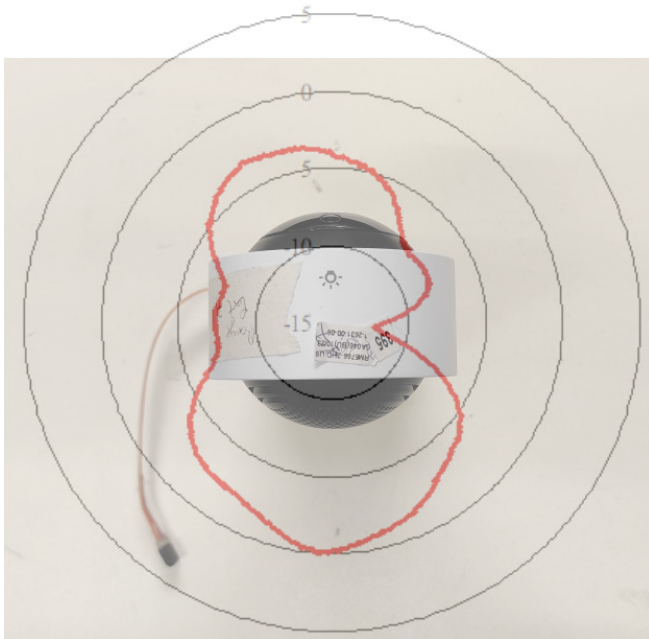
Specification:

Operation Frequency Range	2412-2472 MHz
Maximum Gain	0 dBi
Type	Monopole antenna (FPC)
Operation bandwidth	60MHz
Nominal Impedance	~50 ohms
Connectors	-
Dimensions	In figure 1
Manufacturer	Vtech Telecommunications Ltd
Manufacturer address	23/F, Tai Ping Industrial Centre, Blk1, 57 Ting Kok Road, Tai Po, Hong Kong
Model number	ANT-RM5766V2-F-WIFI-1

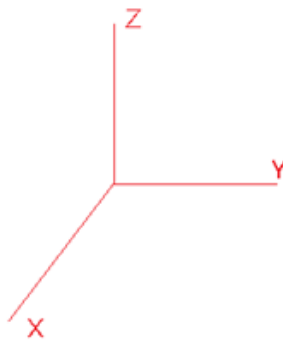
**[VTECH]
[2.4GHz Antenna]**

Antenna pattern (2442MHz) (the frequency with maximum gain)

XY plane (gain theta)



Coordination:



[VTECH]
[2.4GHz Antenna]

Physical Dimension:

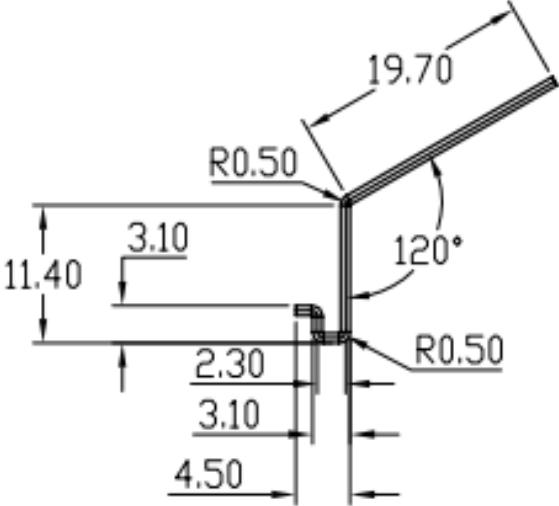


Figure 1 Physical dimension (mm)

[VTECH]

[2.4GHz Antenna]

Model: RM5766_V2 BU (BLE)

Antenna description:

This antenna is optimized and used in the Baby Unit in the baby monitor models. This antenna is directly soldered to the RF output in the main PCB.

Ordering information:

Model	Description
RM5766_V2 BU	2.4GHz Monopole Antenna

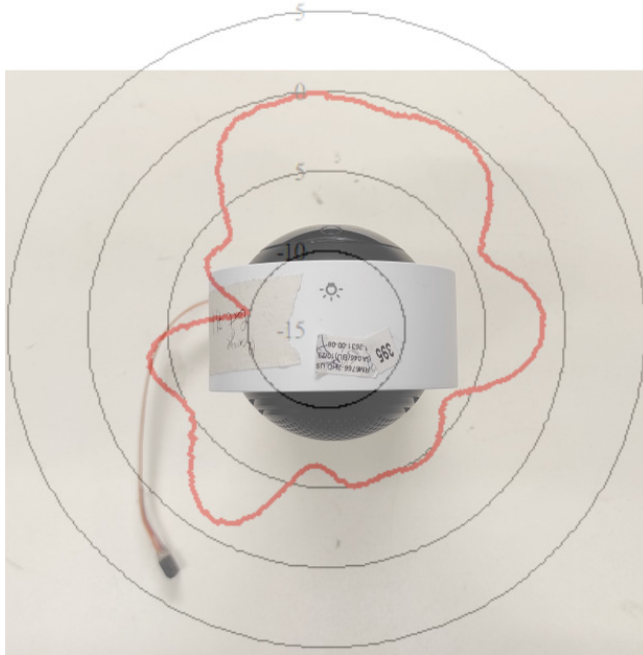
Specification:

Operation Frequency Range	2402-2480 MHz
Maximum Gain	0 dBi
Type	monopole antenna
Operation bandwidth	78MHz
Nominal Impedance	~50 ohms
Connectors	-
Dimensions	In figure 1
Manufacturer	Vtech Telecommunications Ltd
Manufacturer address	23/F, Tai Ping Industrial Centre, Blk1, 57 Ting Kok Road, Tai Po, Hong Kong
Model number	ANT-RM5766V2-F-BT-1

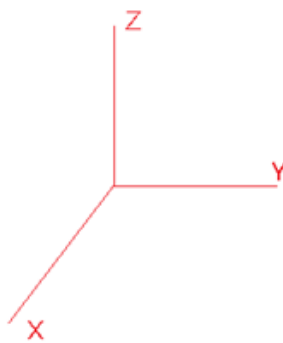
[VTECH]
[2.4GHz Antenna]

Antenna pattern (2442MHz) (the frequency with maximum gain)

XY plane (gain theta)



Coordination:



[VTECH]
[2.4GHz Antenna]

Physical Dimension:

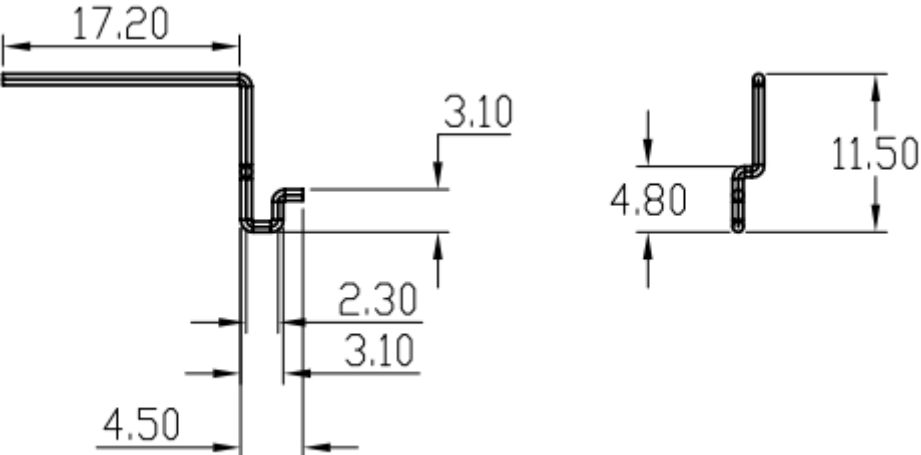


Figure 1 Physical dimension (mm)

[VTECH]

[2.4GHz Dipole Antenna]

Model: RM5766_V2 BU (FHSS)

Antenna description:

This antenna is optimized and used in the Baby Unit in the baby monitor models. This antenna is directly soldered to the RF output in the main PCB.

Ordering information:

Model	Description
RM5766_V2 BU	2.4GHz Dipole Antenna

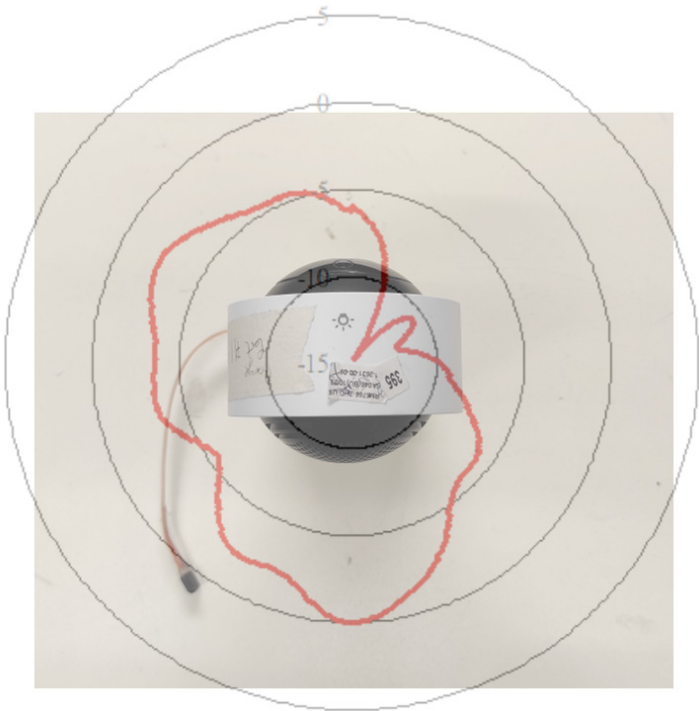
Specification:

Operation Frequency Range	2405-2475 MHz
Maximum Gain	0 dBi
Type	dipole antenna (FPC)
Operation bandwidth	70MHz
Nominal Impedance	~50 ohms
Connectors	-
Dimensions	14mm x 30mm
Manufacturer	Vtech Telecommunications Ltd
Manufacturer address	23/F, Tai Ping Industrial Centre, Blk1, 57 Ting Kok Road, Tai Po, Hong Kong
Model number	ANT-RM5766V2-F-FH-1

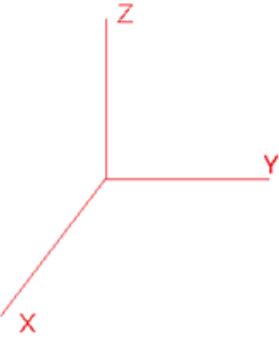
**[VTECH]
[2.4GHz Dipole Antenna]**

Antenna pattern (2442MHz) (the frequency with maximum gain)

XY plane (gain theta)



Coordination:



[VTECH]

[2.4GHz Dipole Antenna]

Physical Dimension:

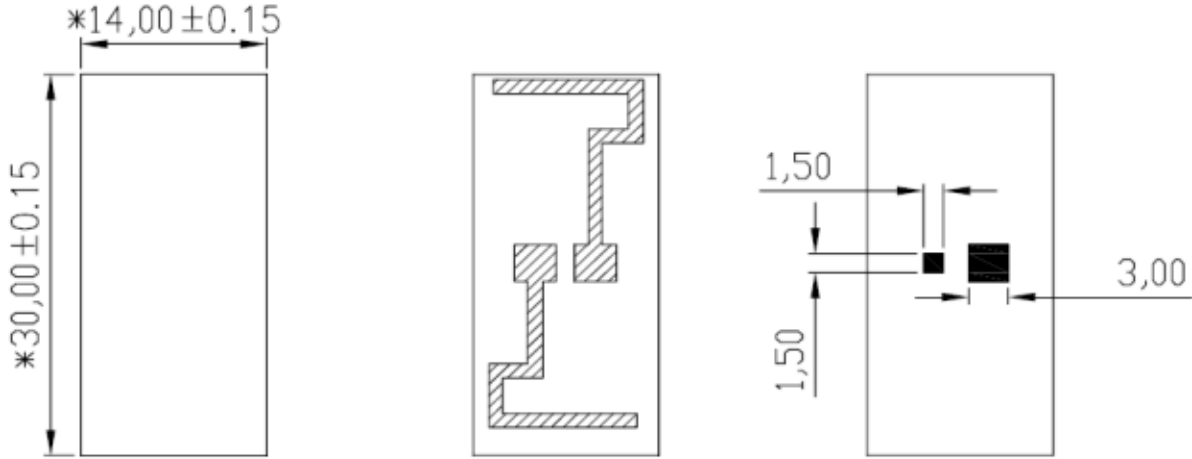


Figure 1 Physical dimension (mm)