

[VTECH]

[2.4GHz Antenna]

Model: LF915 BU

Antenna description:

This antenna is optimized and used in the Baby unit in the baby monitor models. This antenna is directly soldered to the RF output in the main PCB.

Ordering information:

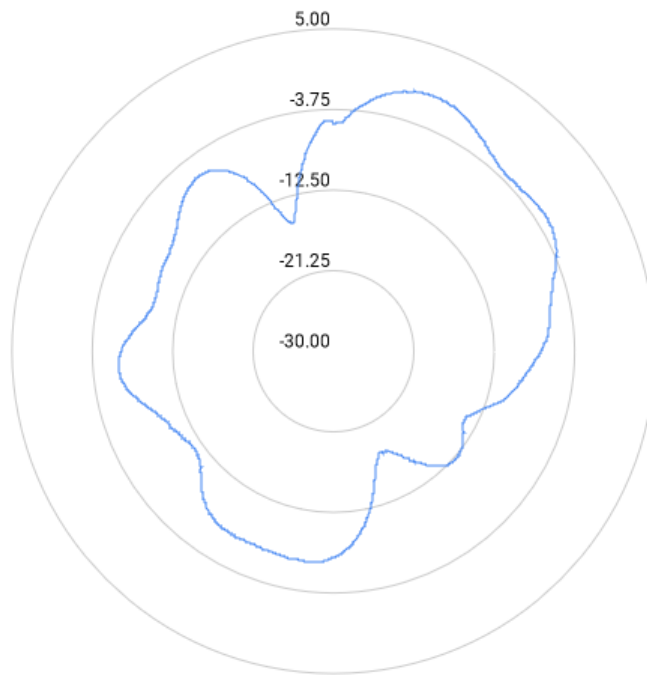
Model Number	Description
LF915 BU	2.4GHz Antenna

Specification:

Operation Frequency Range	2405-2475 MHz
Maximum Gain	0 dBi
Type	Monopole
Operation bandwidth	70MHz
Nominal Impedance	~50 ohms
Connectors	-
Dimensions	34mm x Ø0.8mm
Manufacturer	Vtech Telecommunications Ltd
Manufacturer address	23/F, Tai Ping Industrial Centre, Blk 1, 57 Ting Kok Road, Tai Po, Hong Kong
Model number	ANT-LF915-F-FH-1

[VTECH]
[2.4GHz Antenna]

Antenna pattern (2442MHz) (the frequency with maximum gain)



Coordination:



[VTECH]

[2.4GHz Antenna]

Physical Dimension:

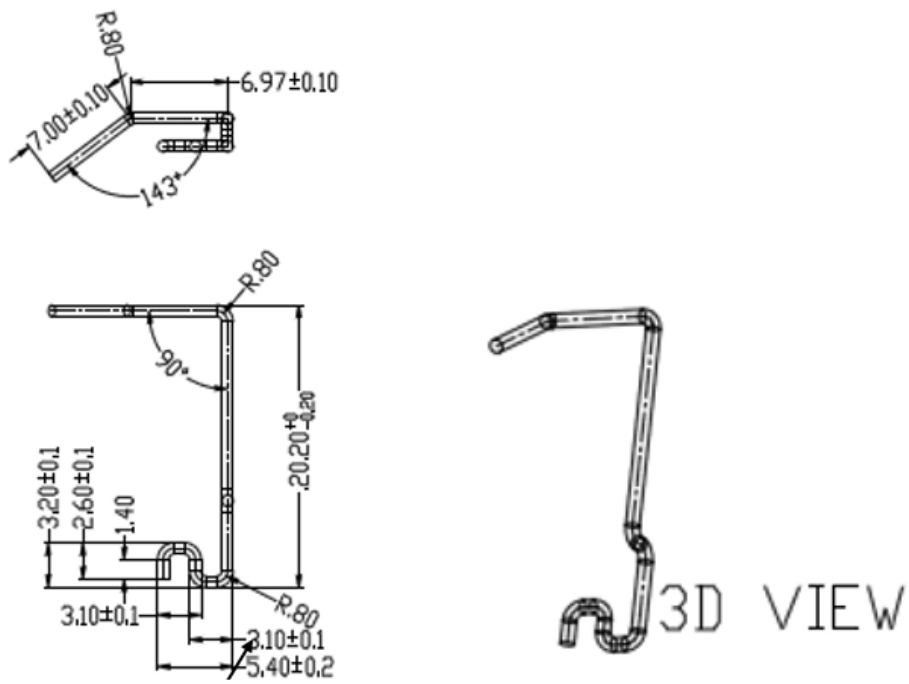


Figure 1 Physical dimension (mm)