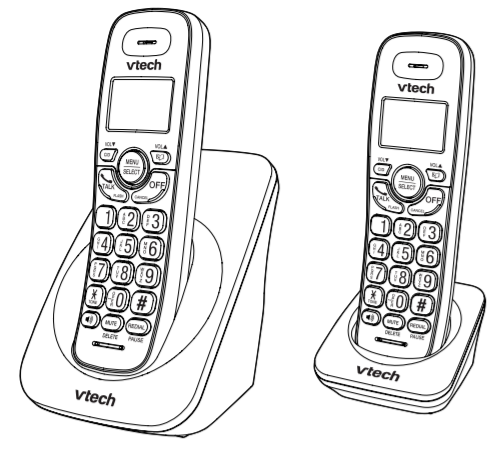


Scan the QR code for support information



VG131 (US)

VG131 (CA)



vtech® Abridged user's manual

VG131

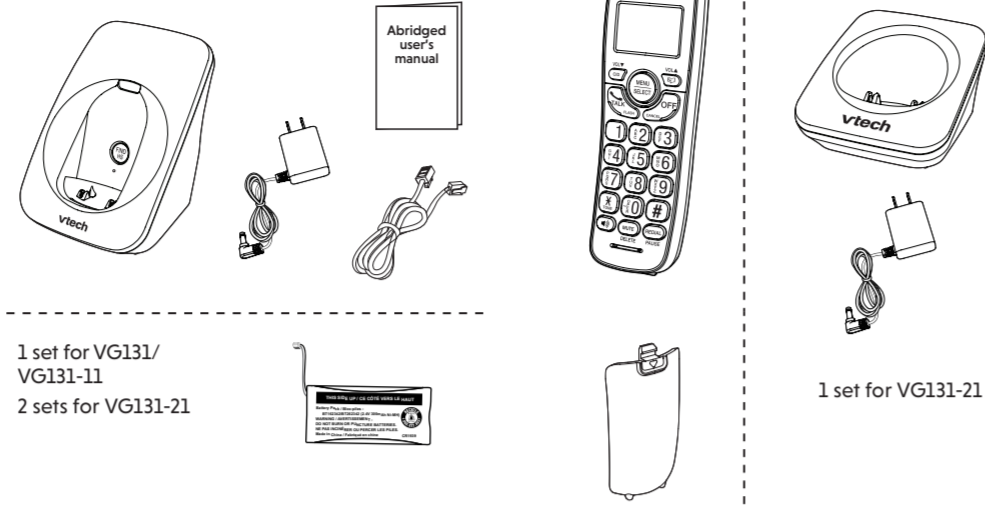
VG131-11

VG131-21



WHAT'S IN THE BOX

Your telephone package contains the following items. Save your sales receipt and original packaging in case it is necessary to ship your telephone for warranty service.



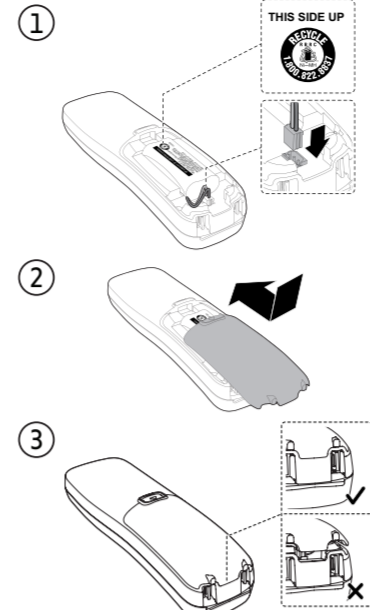
1 set for VG131/ VG131-11

2 sets for VG131-21

1 set for VG131-21

INSTALL AND CONNECT

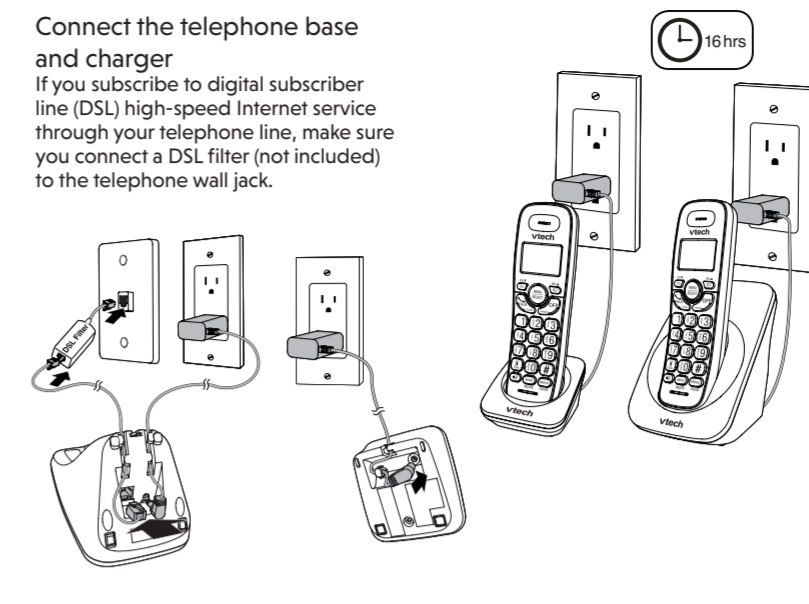
Install the battery



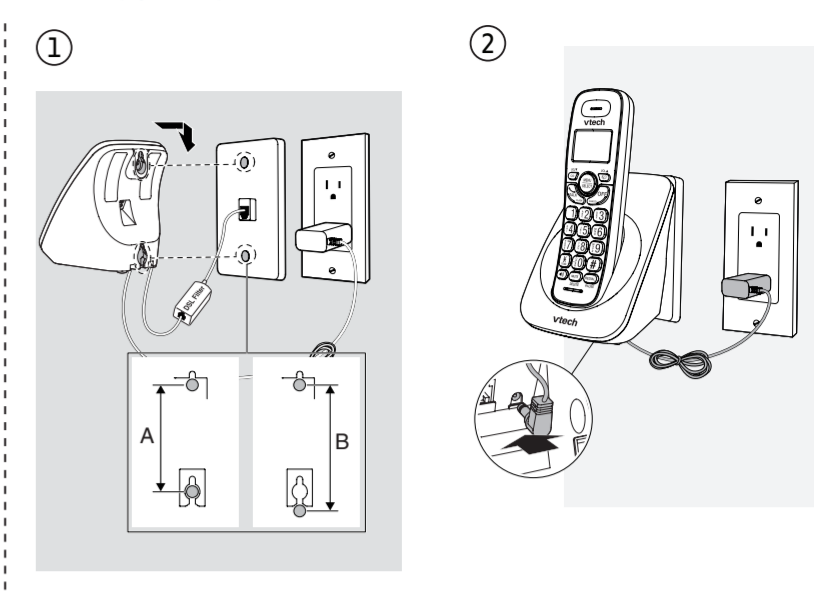
Connect and charge

Connect the telephone base and charger

If you subscribe to digital subscriber line (DSL) high-speed Internet service through your telephone line, make sure you connect a DSL filter (not included) to the telephone wall jack.



Mount (optional)



IMPORTANT SAFETY INSTRUCTIONS

When using your telephone equipment, basic safety precautions should always be followed to reduce the risk of fire, electric shock and injury, including the following:

- 1. Read and understand all instructions. 2. Follow all warnings and instructions marked on the product. 3. Use only with UL listed Bluetooth devices. 4. Unplug this product from the wall outlet before cleaning. 5. CAUTION: Do not install the telephone base at a height above 2 meters. 6. Do not use this product near water such as near a bath tub, wash bowl, kitchen sink, laundry tub or a swimming pool, or in a wet basement or shower. 7. Do not place this product on an unstable table, shelf, stand or other unstable surfaces. 8. Avoid placing the telephone system in places with extreme temperature, direct sunlight, or other electrical devices. 9. Slots and openings in the back or bottom of the telephone base and handset are provided for ventilation. 10. This products should be operated only from the type of power source indicated on the marking label. 11. Do not allow anything to rest on the power cord. 12. Never push objects of any kind into this product through the slots in the telephone base or handset. 13. To reduce the risk of electric shock, do not disassemble this product. 14. Do not overload wall outlets and extension cords. 15. Unplug this product from the wall outlet and refer servicing to an authorized service facility under the following conditions: When the power supply cord or plug is damaged or frayed. If liquid has been spilled onto the product. If the product has been exposed to rain or water. If the product does not operate normally by following the operating instructions. 16. Avoid using a telephone (other than cordless) during an electrical storm. 17. Do not use the telephone to report a gas leak in the vicinity of the leak. 18. Only put the handset of your telephone next to your ear when it is in normal talk mode. 19. The power adapter is intended to be correctly oriented in a vertical or floor mount position. 20. For pluggable equipment, the socket-outlet shall be installed near the equipment and shall be easily accessible. 21. CAUTION: Use only the batteries indicated in this manual. 22. Use only the adapter included with this product. 23. The applied nameplate is located at the bottom or near of the product.

SAVE THESE INSTRUCTIONS

Battery

- Use only the battery provided or equivalent. To order a replacement, visit our website at www.vtechphones.com or call 1(800)595-9511. In Canada, go to phones.vtechcanada.com or call 1(800)267-7377. • Do not dispose of the battery in a fire. Check with local waste management codes for special disposal instructions. • Do not open or mutilate the battery. Released

electrolyte is corrosive and may cause burns or injury to the eyes or skin. The electrolyte may be toxic if swallowed. • Exercise care in handling batteries in order not to create a short circuit with conductive materials. • Charge the battery provided with this product only in accordance with the instructions and limitations specified in this manual.

Precautions for users of implanted cardiac pacemakers

Cardiac pacemakers (applies only to digital cordless telephones): Wireless Technology Research, LLC (WTR), an independent research entity, led a multidisciplinary evaluation of the interference between portable wireless telephones and implanted cardiac pacemakers. Supported by the U.S. Food and Drug Administration, WTR recommends to physicians that:

- Pacemaker patients • Should keep wireless telephones at least six inches from the pacemaker. • Should NOT place wireless telephones directly over the pacemaker, such as in a breast pocket, when it is turned ON. • Should use the wireless telephone at the ear opposite the pacemaker.

ABOUT CORDLESS TELEPHONES

• Privacy: The same features that make a cordless telephone convenient create some limitations. Telephone calls are transmitted between the telephone base and the cordless handset by radio waves, so there is a possibility that the cordless telephone conversations could be intercepted by radio receiving equipment within range of the cordless handset. For this reason, you should not think of cordless telephone conversations as being as private as those on corded telephones.

- Electrical power: The telephone base of this cordless telephone must be connected to a working electrical outlet. The electrical outlet should not be controlled by a wall switch. Calls cannot be made from the cordless handset if the telephone base is unplugged, switched off or if the electrical power is interrupted. • Potential TV interference: Some cordless telephones operate at frequencies that may cause interference to televisions and VCRs. To minimize or prevent such interference, do not place the telephone base of the cordless telephone near or on top of a TV or VCR. If interference is experienced, moving the cordless telephone farther away from the TV or VCR often reduces or eliminates the interference.

• Rechargeable batteries: Exercise care in handling batteries in order not to create a short circuit with conducting material such as rings, bracelets and keys. The battery or conductor may overheat and cause harm. Observe proper polarity between the battery and the battery charger.

• Nickel-metal hydride rechargeable batteries: Dispose of these batteries in a safe manner. Do not burn or puncture the battery. Like other batteries of this type, if burned or punctured, they could release caustic material which could cause injury.

SETUP

After the telephone is installed or power returns following a power outage and battery depletion, the handset will prompt you to set the date and time.

Date and time

When the handset prompts, follow the steps below to set the date and time.

1. Use the dialing keys (0-9) to enter the month (MM), date (DD) and year (YY). Then press SELECT.
2. Use the dialing keys (0-9) to enter the hour (HH) and minute (MM). Then press ▼ or ▲ to choose AM or PM.
3. Press SELECT to save.

NOTE: If you have skipped the prompt, you can set up again by pressing MENU. Scroll to select Set date/time, and then press SELECT. Then, follow the steps above.

Change LCD language settings

You can select English, French, or Spanish to be used in all screen displays:

1. Press MENU when the handset is not in use.
2. Press ▼ or ▲ to scroll to Settings and then press SELECT.
3. Press SELECT again to choose LCD language.
4. Press ▼ or ▲ to choose English, Français or Español, and then press SELECT twice to save.

NOTE: If you accidentally set the LCD language to Spanish or French, press MENU and then enter *364# to change the handset LCD language back to English while the handset is not in use.

To end paging:

- Press FIND HS at the telephone base. -OR-
- Press TALK or any dialing keys on the handset.

NOTE: Do not press and hold FIND HS for more than 4 seconds. It may lead to handset deregistration.

BLUETOOTH®

Your telephone system is enhanced with Bluetooth feature. You can pair a Bluetooth headset to your telephone system and answer calls with your Bluetooth headset.

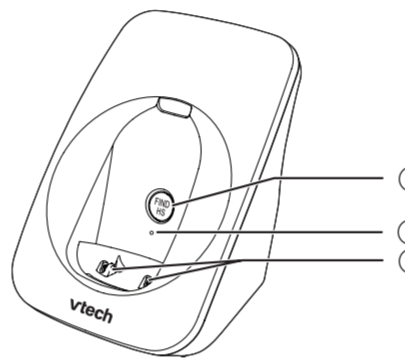
NOTES:

Before you begin, make sure that your Bluetooth enabled handset is not connected to any other Bluetooth device. Bluetooth wireless technology operates within a short range (a maximum of approximately 15 feet) from the telephone base. Keep connected headset within this range.

For more details about the Bluetooth feature, read the online Complete user's manual.

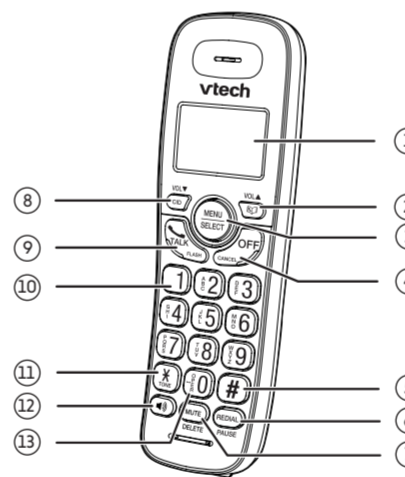
OVERVIEW

Telephone base



- 1 - FIND HS • Page all system handsets. • Press and hold for 4 seconds to pair a Bluetooth headset after pressing TALK or on the handset to get a dial tone.
- 2 - Bluetooth LED • Flashes quickly when pairing. • Steady on when paired and connected to a Bluetooth headset or when the connected Bluetooth headset is in use. • Off when no Bluetooth headset is paired.
- 3 - Charging pole

Handset



- 1 - LCD display
- 2 - TALK / VOL ▲ • Review the phonebook when the phone is not in use.

- Scroll up while in a menu, or in the phonebook, caller ID log or redial list.
- Move the cursor to the right when entering numbers or names.
- Increase the listening volume during a call.

3 - MENU/SELECT

- Show the menu.
- While in a menu, press to select an item, or save an entry or setting.

4 - OFF/CANCEL

- Hang up a call.
- Return to the previous menu or exit completely without making changes.
- Delete digits while redialing.
- Silence the handset ringer temporarily while the phone is ringing.
- Press and hold to erase the missed call indicator while the handset is not in use.

5 -

- Show other dialing options when reviewing a caller ID log entry.

6 - REDIAL/PAUSE

- Review the redial list.
- Insert a dialing pause while dialing or entering numbers into the phonebook.

7 - MUTE/DELETE

- Mute the microphone during a call.
- Delete the displayed entry while reviewing the phonebook, caller ID log, or redial list.
- Delete digits or characters when entering numbers or names.

8 - CID / VOL ▼

- Review the caller ID log when the telephone is not in use.
- Scroll down while in a menu, or in the phonebook, caller ID log or redial list.
- Move the cursor to the left when entering numbers or names.
- Decrease the listening volume during a call.

9 - TALK/FLASH

- Make or answer a call.
- Answer an incoming call when you receive a call waiting alert.

10 - 1

- Press repeatedly to add or remove 1 in front of the caller ID log entry before dialing or saving it to the phonebook.

11 - TONE

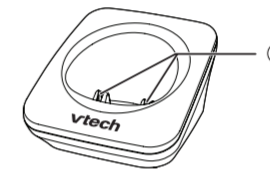
- Switch to tone dialing temporarily during a call.

TELEPHONE OPERATIONS



- 12 - Speakerphone • Make or answer a call using the handset speakerphone. • During a call, press to switch between the speakerphone and the handset earpiece.
- 13 - OFF • Press to add a space when entering names.

Charger



1 - Charging pole

Display icons

	The battery icon flashes when the battery is low and needs charging.
	The battery icon animates when the battery is charging.
	The battery icon becomes solid when the battery is fully charged.
	The handset ringer is turned off.
	There are new voicemail received from your telephone service provider.
	The entry you are reviewing is new in the caller ID log.

1. Press MENU when the phone is not in use. 2. Press ▼ or ▲ until the screen displays the desired feature menu. 3. Press SELECT.
- To return to the previous menu, press CANCEL.
- To exit completely, press and hold CANCEL.

Make a call

- Press TALK or , and then dial the telephone number.

Answer a call

- Press TALK or , or any dialing keys.

End a call

- Press OFF or put the handset back in the telephone base or charger.

Speakerphone

- During a call, press on the handset to switch between speakerphone and handset earpiece.

Volume

- During a call, press VOL▲ and VOL▼ to adjust the listening volume.

Mute

- The mute function allows you to hear the other party but the other party cannot hear you.

 1. During a call, press MUTE. The handset displays Muted.
 2. Press MUTE again to resume the conversation. The handset displays Microphone on briefly.

PHONEBOOK

The phonebook can store up to 30 entries, which are shared by all handsets. Each entry may consist of a telephone number up to 30 digits, and a name up to 15 characters.

Add a phonebook entry

1. Enter the number when the phone is not in use. Press MENU, then go to Step 3. -OR- Press MENU when the phone is not in use, then press SELECT to choose Phonebook. Press SELECT again to choose Add contact.
2. Use the dialing keys to enter the number. -OR- Copy a number from the redial list by pressing REDIAL and then press ▼, ▲ or REDIAL repeatedly to select a number. Press SELECT to copy the number.
3. Press SELECT to move on to enter the name.
4. Use the dialing keys to enter the name. Additional key presses show other characters of that particular key.
5. Press SELECT to save.



VG131-X-US-CAN_Ac18_V2_240108
All rights reserved. 01/24
© 2024 Vtech Technologies Canada Ltd.
Specifications are subject to change without notice.



The Bluetooth® word mark and logos are owned by Bluetooth SIG, Inc. and any use of such marks by Vtech is under license. Vtech is a registered trademark of Vtech. © 2024 Vtech Technologies Canada Ltd.

Go to phones.vtechcanada.com (Canada) for the latest Vtech product news.

Go to www.vtechphones.com (us) to register your product for enhanced warranty support and latest Vtech product news.

While entering names and numbers, you can:

- Press **DELETE** to backspace and erase a digit or character.
- Press and hold DELETE** to erase the entire entry.
- Press **▼** or **▲** to move the cursor to the left or right.
- Press and hold PAUSE** to insert a dialing pause (for entering numbers only).
- Press **0** to add a space (for entering names only).

Review a phonebook entry

Entries are sorted alphabetically.

- Press ↵ when the phone is not in use.
- Press **▼** or **▲** to browse through the phonebook, or use the dialing keys to start a name search.

Delete a phonebook entry

- Search for or review the phonebook entries (see **Review a phonebook entry**).
- When the desired entry displays, press **DELETE**.
- When the handset displays **Delete contact?**, press **SELECT**.

Edit a phonebook entry

- Search for or review the phonebook entries (see **Review a phonebook entry**).
- When the desired entry displays, press **SELECT**.
- Use the dialing keys to edit the number, then press **SELECT**.
- Use the dialing keys to edit the name, then press **SELECT**.

Dial a phonebook entry

- Search for or review the phonebook entries (see **Review a phonebook entry**).
- When the desired entry appears, press talk or ↵ to dial.

CALLER ID

If you subscribe to caller ID service, information about each call appears after the first or second ring. If you answer a call before the caller information appears on the screen, it will not be saved in the caller ID log.

The caller ID log stores up to 30 entries. Each entry has up to 24 digits for the phone number and 15 characters for the name.

If the telephone number has more than 15 digits, only the last 15 digits appear. If the name has more than 15 characters, only the first 15 characters are shown and saved in the caller ID log.

Review a caller ID log entry

- Press **CID** when the phone is not in use.
- Press **▼** or **▲** to browse through the caller ID log.

Missed call indicator

When there are calls that have not been reviewed in the caller ID log, the handset displays **XX missed calls**.

Each time you review a caller ID log entry marked ***NEW***, the number of missed calls decreases by one.

When you have reviewed all the missed calls, the missed call indicator no longer displays.

If you do not want to review the missed calls one by one, **press and hold CANCEL** on the idle handset to erase the missed call indicator. All the entries are then considered old.

Dial a caller ID log entry

- Search for or review the call ID log entries (see **Review a caller ID log entry**).
- When the desired entry appears, press talk or ↵ to dial.

Save a caller ID log entry to the phonebook

- Search for or review the call ID log entries (see **Review a caller ID log entry**).
- When the desired caller ID log entry displays, press **SELECT**.
- Use the dialing keys to edit the number, if necessary. Then press **SELECT**.
- Use the dialing keys to edit the name, if necessary. Then press **SELECT**.

Delete the caller ID log entries

- Search for or review the call ID log entries (see **Review a caller ID log entry**).
- When the desired caller ID log entry displays, press **DELETE**.

To delete all caller ID log entries:

- Press **MENU** when the phone is not in use.
- Press **▼** or **▲** to scroll to **Caller ID log** and then press **SELECT**.
- Press **▼** or **▲** to scroll to **Del all calls** and then press **SELECT** twice.

SOUND SETTINGS

Key tone

You can turn the key tone on or off.

- Press **MENU** when the handset is not in use.
- Press **▼** or **▲** to scroll to **Settings** and then press **SELECT**.
- Press **▼** or **▲** to scroll to choose **Key tone**, then press **SELECT**.
- Press **▼** or **▲** to choose **On** or **Off**, then press **SELECT** to save.

Ringer tone

You can choose from different ringer tones for each handset.

- Press **MENU** when the handset is not in use.
- Press **▼** or **▲** to scroll to **Ringers** and then press **SELECT**.
- Press **▼** or **▲** to scroll to choose **Ringer tone**, then press **SELECT**.
- Press **▼** or **▲** to sample each ringer tone, then press **SELECT** to save.

- NOTE:** If you turn off the ringer volume, you will not hear ringer tone samples.

Ringer volume

You can adjust the handset ringer volume level, or turn the ringer off.

- Press **MENU** when the handset is not in use.
- Press **▼** or **▲** to scroll to **Ringers** and then press **SELECT**.
- Press **SELECT** again to choose **Ringer volume**.
- Press **▼** or **▲** to choose a volume level or choose **Volume:Off**. A sample of each ringer volume plays as you scroll through the choices.
- Press **SELECT** to save.

NOTES:

- If you turn off the volume, the handset will be silenced and displays **Ringer off**.
- When the ringer volume is set to **Off**, the handset still rings when you press **FIND HS** at the telephone base.

Temporary ringer silencing

When the telephone is ringing, you can temporarily silence the ringer without disconnecting the call. The next call rings normally at the preset volume.

To silence the handset ringer:

- Press **MUTE**. The handset displays **Ringer muted**.

RETRIEVE VOICEMAIL FROM TELEPHONE SERVICE

Voicemail is a feature available from most telephone service providers. It may be included with your telephone service, or it may be optional. Fees may apply.

Retrieve voicemail

When you received a voicemail, the handset displays ✉ and **New voicemail**. To retrieve, you typically dial an access number provided by your telephone service provider, and then enter a security code. Contact your telephone service provider for instructions on how to configure the voicemail settings and listen to messages.

- NOTE:** After you have listened to all new voicemail messages, the indicators on the handset turn off automatically.

Turn off the new voicemail indicators

If you have retrieved your voicemail while away from home, and the handset still displays the new voicemail indicators, use this feature to turn off the indicators.

- NOTE:** This feature turns off the indicators only, it does not delete your voicemail messages.

- Press **MENU** when the phone is not in use.
- Press **▼** or **▲** to scroll to **Settings** and then press **SELECT**.
- Press **▼** or **▲** to scroll to **Clr voicemail** and then press **SELECT** twice.

ECO MODE

This power conserving technology reduces power consumption for optimal battery performance. The ECO mode activates automatically whenever the handset is synchronized with the telephone base.

GENERAL PRODUCT CARE

Taking care of your telephone

Your cordless telephone contains sophisticated electronic parts, so it must be treated with care.

Avoid rough treatment

Place the handset down gently. Save the original packing materials to protect your telephone if you ever need to ship it.

Avoid water

Your telephone can be damaged if it gets wet. Do not use the handset outdoors in the rain, or handle it with wet hands. Do not install the telephone base near a sink, bathtub or shower.

Electrical storms

Electrical storms can sometimes cause power surges harmful to electronic equipment. For your own safety, take caution when using electrical appliances during storms.

Cleaning your telephone

Your telephone has a durable plastic casing that should retain its luster for many years. Clean it only with a dry non-abrasive cloth. Do not use dampened cloth or cleaning solvents of any kind.

NEED HELP?

For operations and guides to help you using your telephone, and for the latest information and supports, go and check the online help topics and online FAQs.

Use your smartphone or mobile device to access our online help.

- Go to **https://help.vtechphones.com/vg131 (US)**; **OR** **https://phones.vtechcanada.com/en/support/general/manuals?model=vg131 (Canada)**

- Scan the QR code on the right. Launch the camera app or QR code scanner app on your smartphone or tablet. Hold the device's camera up to the QR code and frame it. Tap the notification to trigger the redirection of the online help.

- If the QR code is not clearly displayed, adjust your camera's focus by moving your device closer or further away until it is clear.

You can also call our Customer Support at 1 (800) 595-9511 [in US] or 1 (800) 267-7377 [in Canada] for help.

Recycle this product when you are done with it Scan the QR code on the right or visit www.vtechphones.com/recycle.

(For the US only)

FOR C-UL COMPLIANCE ONLY

Mesures de sécurité importantes

Afin de réduire les risques d'incendie, de blessures corporelles ou d'électrocution, suivez toujours ces mesures préventives de base lorsque vous utilisez votre téléphone :

- Lisez et comprenez bien toutes les instructions.
- Observez toutes les instructions et mises en garde inscrites sur l'appareil.
- N'utilisez qu'avec des dispositifs Bluetooth homologués par UL.
- Débranchez ce téléphone de la prise murale avant de le nettoyer. N'utilisez pas de nettoyeurs liquides ni en aérosol. N'utilisez qu'un chiffon doux et légèrement humecté.
- ATTENTION:** Ne pas installer le socle téléphonique à une hauteur supérieure à 2 mètres.
- N'utilisez pas ce produit près de l'eau, tel que près d'un bain, d'un lavabo, d'un évier de cuisine, d'un bac de lavage ou d'une piscine, ou dans un sous-sol humide ou sous la douche.
- Ne déposez pas ce téléphone sur un chariot, support ou table chancelants. L'appareil pourrait tomber et être sérieusement endommagé.
- Évitez d'installer le système téléphonique dans les endroits soumis à une température extrême, à la lumière directe du soleil ou à proximité immédiate d'autres appareils électriques ou électroniques. Protégez votre téléphone contre les sources d'humidité, la poussière, les vapeurs et les liquides corrosifs.
- Le boîtier de l'appareil est doté de fentes et d'ouvertures d'aération situées à l'arrière ou en dessous. Afin d'empêcher la surchauffe, ces ouvertures ne doivent pas être obstruées en plaçant l'appareil sur un lit, divan, tapis ou autre surface similaires. Ne placez pas cet appareil à proximité d'un élément de chauffage ni d'une plinthe électrique. De plus, ne l'installez pas dans une unité murale ou un cabinet fermé qui ne possède pas d'aération adéquate.
- Ne faites fonctionner cet appareil qu'avec le type d'alimentation indiqué sur les étiquettes de l'appareil. Si vous ne connaissez pas le voltage de votre maison, consultez votre marchand ou votre fournisseur d'électricité.
- Ne déposez rien sur le cordon d'alimentation. Installez cet appareil dans un endroit sécurisé, là où personne ne pourra trébucher sur la ligne d'alimentation ni le cordon téléphonique modulaire.
- N'insérez jamais d'objets à travers les fentes et ouvertures de cet appareil, car ils pourraient toucher à des points de tension dangereux ou court-circuiter des pièces, ce qui constituerait un risque d'incendie ou d'électrocution. N'échappez pas de liquides dans l'appareil.
- Afin de réduire les risques d'électrocution, ne démontez pas l'appareil, mais apportez-le plutôt à un centre de service qualifié s'il doit être réparé. En enlevant le couvercle, vous vous exposez à des tensions dangereuses ou à autres dangers similaires. Un remontage inadéquat peut être à l'origine d'une électrocution lors d'une utilisation ultérieure de l'appareil. Débranchez l'appareil avant de procéder au nettoyage. Utilisez un chiffon humide et doux.
- Ne surchargez pas les prises de courant et les rallonges.
- Débranchez cet appareil de la prise de courant et communiquez avec le fournisseur de service à la clientèle de VTEch dans les cas suivants :
 - Lorsque le cordon d'alimentation est endommagé ou écorché.
 - Si du liquide a été échappé dans l'appareil.
 - Si l'appareil a été exposé à une source d'humidité telle que la pluie ou l'eau.
 - Si le produit ne fonctionne pas normalement en respectant les instructions de fonctionnement. Réglez uniquement les commandes indiquées dans les

instructions de fonctionnement. Les réglages incorrects des autres commandes pourraient provoquer un dommage qui pourrait exiger un travail exhaustif de la part d'un technicien autorisé afin de rétablir le fonctionnement normal de l'appareil.

- Si le produit a été échappé et que le socle et/ou le combiné a été endommagé.
- Si le produit affiche une nette diminution de sa performance.

- Évitez d'utiliser un téléphone (autre qu'un sans fil) pendant un orage. Les éclairs peuvent être à l'origine d'une électrocution.

- N'utilisez pas le téléphone pour rapporter une fuite de gaz à proximité de la fuite. En certaines circonstances, une flammèche pourrait être provoquée lorsque l'adaptateur est branché à une prise de courant, ou lorsque le combiné est déposé sur le socle. Ceci est un événement commun associé à la fermeture d'un circuit électrique. L'utilisateur ne devrait pas brancher le téléphone à une prise de courant, et ne devrait pas déposer le combiné chargé sur le socle, si le téléphone se trouve à proximité d'un endroit comportant des concentrations de gaz inflammables, à moins que la ventilation soit adéquate. Une flammèche dans un tel endroit pourrait provoquer un incendie ou une explosion. De tels environnements peuvent comprendre: des endroits où l'on utilise de l'oxygène médical sans ventilation adéquate; des gaz industriels (dissolvants de nettoyage, des vapeurs d'essence, etc.); une fuite de gaz naturel, etc.

- Ne placez que le combiné de votre téléphone près de votre oreille lorsqu'en mode de conversation.
- Ces adaptateurs ont été conçus pour être orientés en position verticale ou montés au sol. Les broches ne sont pas conçues pour maintenir l'adaptateur en place si celui-ci est barchné dans une prise au plafond ou sous une table/ armoire.

- ⚠** **MISE EN GARDE:** Il peut y avoir un risque d'explosion si vous utilisez le mauvais type de piles pour le téléphone. N'utilisez que les piles rechargeable inclus ou les piles de rechange (BT162342/BT262342). N'incinérez pas les piles. Celles-ci risqueraient d'exploser. Mettre au rebut les batteries usagées conformément aux instructions du fabricant. Débranchez les lignes téléphoniques avant le remplacement des piles.

- Évitez d'utiliser la batterie dans les conditions suivantes:
 - des températures extrêmes faibles ou élevées auxquelles une batterie peut être soumise pendant l'utilisation, le stockage ou le transport.
 - remplacement d'une batterie par un type incorrect pouvant supprimer une protection.
 - mise au rebut d'une batterie dans un feu ou dans un four chaud, ou écrasement mécanique ou coupure d'une batterie, susceptible de provoquer une explosion.

- maintien d'une batterie dans un environnement à très haute température pouvant provoquer une explosion ou la fuite de liquide ou de gaz inflammables.

- batterie soumise à une pression de l'air extrêmement faible pouvant provoquer une explosion ou la fuite de liquide ou de gaz inflammables.

- N'utilisez que les adaptateurs inclus avec ce produit. L'utilisation d'adaptateur dont la pps ou le tension serait inadéquate risque d'endommager sérieusement le produit et mettre votre sécurité en péril.

- La plaque signalétique appliquée est située au bas ou à proximité du produit.

CONSERVEZ CES INSTRUCTIONS

- Pile**
 - N'utilisez que la pile incluse ou l'équivalent.
 - Ne jetez pas la pile au feu. Vérifiez les instructions spécifiques de mise au rebut auprès des autorités locales.
 - N'ouvrez pas et ne mutiez pas la pile. L'électrolyte qui s'en échapperait pourrait causer des brûlures ou des blessures aux yeux ou à la peau. L'électrolyte est toxique si avalé.
 - Soyez prudents lorsque vous manipulez les piles afin d'éviter les courts-circuits provoqués par des matériaux conducteurs.
 - Rechargez la pile incluse avec cet appareil, selon les instructions et limites spécifiées dans ce guide d'utilisation.
- Stimulateurs cardiaques implantés dans l'organisme**

Les stimulateurs cardiaques (s'applique uniquement aux téléphones numériques sans fil) :

L'organisme Wireless Technology Research, LLC (WTR), une firme de recherche indépendante, a mené une évaluation pluridisciplinaire des interférences entre les téléphones sans fil portatifs et les stimulateurs cardiaques implantés dans l'organisme. Appuyée par l'Administration des aliments et drogues (FDA) des États-Unis, la firme WTR recommande aux médecins:

Avis aux détenteurs de stimulateurs cardiaques

- Its doit tenir le téléphone sans fil à une distance d'au moins six pouces du stimulateur cardiaque.
- Is ne doit PAS placer le téléphone sans fil directement sur le stimulateur cardiaque, tel que dans une poche de chemise, lorsque celui-ci est en marche.
- Is doit éviter d'utiliser le téléphone sans fil en l'appuyant sur l'oreille qui se trouve dans la direction opposée au stimulateur cardiaque.

L'étude effectuée par l'organisme WRS n'a pas identifié de risque pour les détenteurs de stimulateurs cardiaques causés par les gens qui utilisent un téléphone sans fil à proximité de ceu-ci.

À propos des téléphones sans fil

Confidentialité : Les mêmes caractéristiques qui constituent des avantages pour les téléphones sans fil affichent également des restrictions. Les appels téléphoniques sont transmis entre le combiné sans fil et le socle par le biais d'ondes radio ; il y a donc la possibilité que vos conversations téléphoniques sans fil soient interceptées par des équipements de réception radio se trouvant dans la portée du combiné sans fil. Pour cette raison, vous ne devez pas percevoir les communications téléphoniques sans fil comme étant aussi confidentielles que celles des téléphones à cordons.

Alimentation électrique : Le socle de ce téléphone sans fil doit être branché à une prise électrique fonctionnelle. La prise électrique ne doit pas être contrôlée par un interrupteur mural. Les appels ne pourront pas être effectués du combiné sans fil si le socle est débranché ou si hors tension ou si le courant est coupé.

Possibilité d'interférences aux téléviseurs : Certains téléphones sans fil fonctionnent sur des fréquences pouvant causer des interférences aux téléviseurs et aux magnétoscopes. Pour réduire ou prévenir de telles interférences, ne placez pas le socle du téléphone sans fil près ou sur un téléviseur ou magnétoscope. S'il y a présence de parasites, il est conseillé d'éloigner le téléphone sans fil du téléviseur ou du magnétoscope afin de réduire possiblement les interférences.

Piles rechargeables : Manipulez les piles avec soin afin de ne pas les court-circuiter avec des bagues, bracelets ou clés. Les piles ou le conducteur peut surchauffer et causer des blessures. Respectez la polarité adéquate entre la pile et le chargeur.

Les bloc-piles rechargeables à l'hydrure métallique de nickel : Jetez ces bloc-piles de manière écologique et sécuritaire. Ne les incinérez pas et ne les percez pas. Tel que les autres

piles de ce type, elles pourraient dégager une matière toxique qui peut causer des blessures corporelles si elles sont brûlées ou percées.

THE RBRC SEAL

The RBRC seal on the nickel-metal hydride battery indicates that VTEch Communications, Inc. is voluntarily participating in an industry program to collect and recycle these batteries at the end of their useful lives, when taken out of service within the United States and Canada.

The program provides a convenient alternative to placing used nickel-metal hydride batteries into the trash or municipal waste, which may be illegal in your area. VTEch's participation makes it easy for you to drop off the spent battery at local retailers participating in the RBRC program or at authorized VTEch product service centers. Please call **1 (800) 8 BATTERY®** for information on Ni-MH Battery recycling and disposal restrictions in your area. VTEch's involvement in this program is part of its commitment to protecting our environment and conserving natural resources.

The RBRC Seal and 1 (800) 8 BATTERY® are registered trademarks of Call2recycle, Inc.

FCC, ACTA and IC REGULATIONS

FCC Part 15

NOTE: This equipment has been tested and found to comply with the requirements for a Class B digital device under Part 15 of the Federal Communications Commission (FCC) rules. These requirements are intended to provide reasonable protection against harmful interference in a residential installation. This equipment generates, uses and can radiate radio frequency energy and, if not installed and used in accordance with the instructions, may cause harmful interference to radio communications. However, there is no guarantee that interference will not occur in a particular installation. If this equipment does cause harmful interference to radio or television reception, which can be determined by turning the equipment off and on, the user is encouraged to try to correct the interference by one or more of the following measures:

- Reorient or relocate the receiving antenna.
- Increase the separation between the equipment and receiver.
- Connect the equipment into an outlet on a circuit different from that to which the receiver is connected.
- Consult the dealer or an experienced radio/TV technician for help.

WARNING: Changes or modifications to this equipment not expressly approved by the party responsible for compliance could void the user's authority to operate the equipment.

This device complies with Part 15 of the FCC rules. Operation is subject to the following two conditions: (1) this device may not cause harmful interference, and (2) this device must accept any interference received, including interference that may cause undesired operation. Privacy of communications may not be ensured when using this telephone.

To ensure safety of users, the FCC/ISEDAC has established criteria for the amount of radio frequency energy that can be safely absorbed by a user or bystander according to the intended usage of the product. This product has been tested and found to comply with the FCC/ISEDAC criteria. The handset may be safely held against the ear of the user. The telephone base shall be installed and used such that parts of the user's body other than the hands are maintained at a distance of approximately 20 cm (8 inches) or more.

This Class B digital apparatus complies with Canadian requirement:
CAN ICES-3 (B)/NMB-3(B).

FCC Part 68 and ACTA

This equipment complies with Part 68 of the FCC rules and with technical requirements adopted by the Administrative

Council for Terminal Attachments (ACTA). The label on the back or bottom of this equipment contains, among other things, a product identifier in the format US:AAECQH#TXXXX. This identifier must be provided to your telephone service provider upon request.

The plug and jack used to connect this equipment to premises wiring and the telephone network must comply with applicable Part 68 rules and technical requirements adopted by ACTA. A compliant telephone cord and jack must be made provided with this product. It is designed to be connected to a compatible modular jack that is also compliant. An RJ11 jack should normally be used for connecting to a single line and an RJ14 jack for two lines. See the installation instructions in the user's manual.

The Ringer Equivalence Number (REN) is used to determine how many devices you may connect to your telephone line and still have them ring when you are called. The REN for this product is encoded as the 6th and 7th characters following the US: in the product identifier (e.g., *#1# is 03*, the REN is 0.3). In most, but not all areas, the sum of all RENs should be five (5.0) or less. For more information, please contact your telephone service provider.

This equipment must not be used with Party Lines. If you have specially wired alarm dialing equipment connected to your telephone line, you should not use this equipment. This equipment does not disable your alarm equipment. If you have questions about what will disable alarm equipment, consult your telephone service provider or a qualified installer.

If this equipment is malfunctioning, it must be unplugged from the modular jack until the problem has been corrected. Replacement to this telephone equipment can only be made by the manufacturer or its authorized agents. For replacement procedures, follow the instructions outlined under the **Limited warranty**.

If this equipment is causing harm to the telephone network, the telephone service provider may temporarily discontinue your telephone service. The telephone service provider is required to notify you before interrupting service. If advance notice is not practical, you will be notified as soon as possible. You will be given the opportunity to correct the problem and the telephone service provider is required to inform you of your right to file a complaint with the FCC. Your telephone service provider may make changes in its facilities, equipment, operation, or procedures that affect the proper functioning of this product. The telephone service provider is required to notify you if such changes are planned.

If this product is equipped with a corded or cordless handset, it is hearing aid compatible. If this product has memory dialing locations, you may choose to store emergency telephone numbers (e.g., police, fire, medical) in these locations. If you do store or test emergency numbers, please:

Remain on the line and briefly explain the reason for the call before hanging up.

Perform such activities in off-peak hours, such as early morning or late evening.

Industry Canada

This device contains licence-exempt transmitter(s)/receiver(s) that comply with Innovation, Science and Economic Development Canada's licence-exempt RSS(s). Operation is subject to the following two conditions:

- This device may not cause interference.
- This device must accept any interference, including interference that may cause undesired operation of the device.

Privacy of communications may not be ensured when using this telephone. The term "IC" before the certification/registration number only signifies that the Industry Canada technical specifications were met.

The Ringer Equivalence Number (REN) for this terminal equipment is 0.1. The REN indicates the maximum number of devices allowed to be connected to a telephone interface. The termination of an interface may consist of any combination

of devices subject only to the requirement that the sum of the RENs of all the devices not exceed five.

This product meets the applicable Innovation, Science and Economic Development Canada technical specifications.

CALIFORNIA ENERGY COMMISSION BATTERY CHARGING TESTING INSTRUCTIONS

This telephone is set up to comply with the energy-conserving standards right out of the box. These instructions are intended for California Energy Commission (CEC) compliance testing only. When the CEC battery charging testing mode is activated, all telephone functions, except battery charging, will be disabled.

To activate the CEC battery charging testing mode:

- Unplug the telephone base power adapter from the power outlet. Make sure all handsets are plugged with charged batteries before proceeding.
- While you **press and hold FIND HS**, plug the telephone base power adapter back to the power outlet.
- After about 20 seconds, release **FIND HS** and then press it again within 2 seconds. You hear a confirmation tone. When the phone successfully enters the CEC battery charging testing mode, all handsets display **To register HS** and **See manual** alternately.

When the phone fails to enter this mode, repeat Step 1 through Step 3 above.

To deactivate the CEC battery charging testing mode:

- Unplug the telephone base power adapter from the power outlet, and then plug it back in. Then the telephone base is powered up as normal.
- Place the handset in the telephone base to register it back. It displays **Registering...**

The handset show **Registered** and you hear a beep when the registration process completes. The registration process takes about 60 seconds to complete.

LIMITED WARRANTY

</